

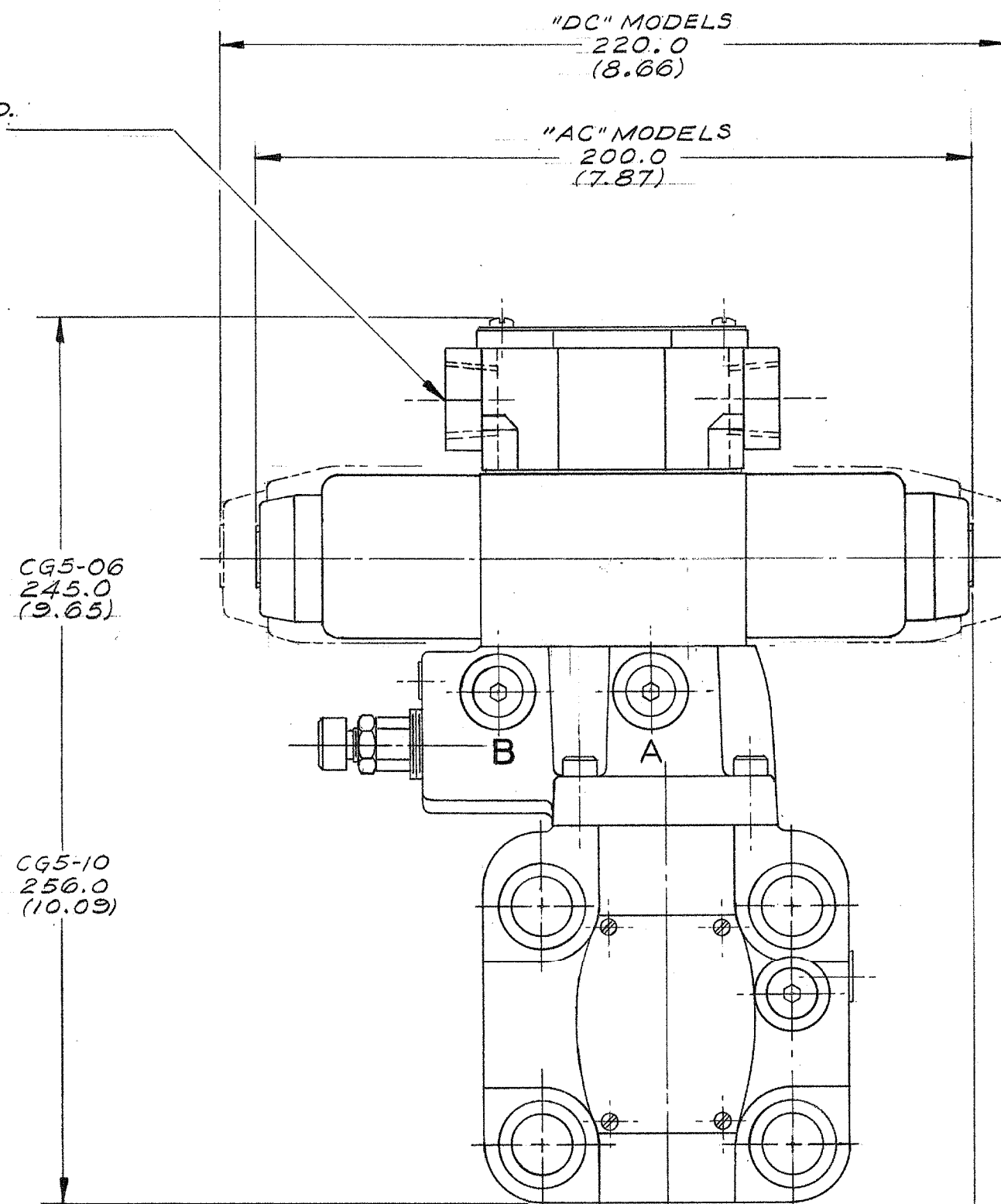
3

2

1

REVISIONS				
SYM	ZONE	DESCRIPTION	DATE	APPROVED
A	ZA	41357 REMOVED SWITCH MODEL FROM AND ADDED HAZARDOUS DUTY TO TANK PRESSURE RATING	30MAY02 CWB	DJD 5JUN02
B		REPLACED "VICKERS" WITH "DANFOSS"	04MAY23	DG 04MAY23

"W" 1/2 NPT THD.  
"J" 20MM THD.



CG5-06  
245.0  
(9.65)

CG5-10  
256.0  
(10.09)

CG5-06	86.0 (3.38)
CG5-10	84.0 (3.32)
CG5-06	96.0 (3.78)
CG5-10	94.0 (3.72)

MAXIMUM TANK LINE PRESSURE:  
STD. MODELS ----- 100 bar (1450 PSI)  
Ⓐ HAZARDOUS DUTY (X\*) ----- 70 bar (1000 PSI)

02-126426

METRIC  
(INCH)

REFER TO CATALOG FOR ELECTRICAL PERFORMANCE  
SPECIFICATIONS OF PILOT VALVE

REFER TO DWG. J-681244 FOR RELIEF VALVE  
INSTALLATION DIMENSIONS

REFER TO DWG. E-508190 FOR ADDITIONAL  
GO DESIGN D64V-3S PILOT VALVE DIMENSIONS

G.T. CODE NO.	THIRD ANGLE PROJECTION	MODEL CG5-(H) 1/2 XX-X(V)-XX-XXX-100 SERIES	BR	SA	AE	LS
UNLESS OTHERWISE SPECIFIED INTERPRET PER VS 1-3-3-1 ANGULAR DIMENSIONS ±2° SURFACE ROUGHNESS 3.2µm 125µin. TOLERANCE ON DECIMALS 1 PLACE 2 PLACE 3 PLACE		REF.	DWN. W. HARRIS 4 SEP 90	AEL 5.02		
mm ±0.8 ±0.25 —		MATERIAL	CHK. S. DEVAN 12 SEP 90			
INCH — ±.03 ±.010		HEAT TREATMENT	MFG. REV.			
REMOVE BURRS BREAK EDGES 0.25mm .010 in. MAX.		COATING/PLATING	R T.O.	TITLE INSTALLATION DWG. 3/4" AND 1/4" SOLENOID CONTROLLED RELIEF VALVE (SUBPLATE MOUNTED) WITH -60DES, D64V-3S PILOT		
ALL TECHNICAL DATA DISCLOSED HEREIN IS THE PROPERTY OF DANFOSS INCORPORATED AND SHALL NOT BE USED BY OTHERS FOR MANUFACTURE, PROCUREMENT, OR DISCLOSURE WITHOUT THE WRITTEN PERMISSION OF THE OWNER.		ENGRG. APPVL.	L PROTO.			
			S PROD. 12 SEP 90	SIZE	FSCM NO.	DRAWING NO.
				D		02-126426
				SCALE 1/1	WT.	SHEET 1 OF 1

3

2

1