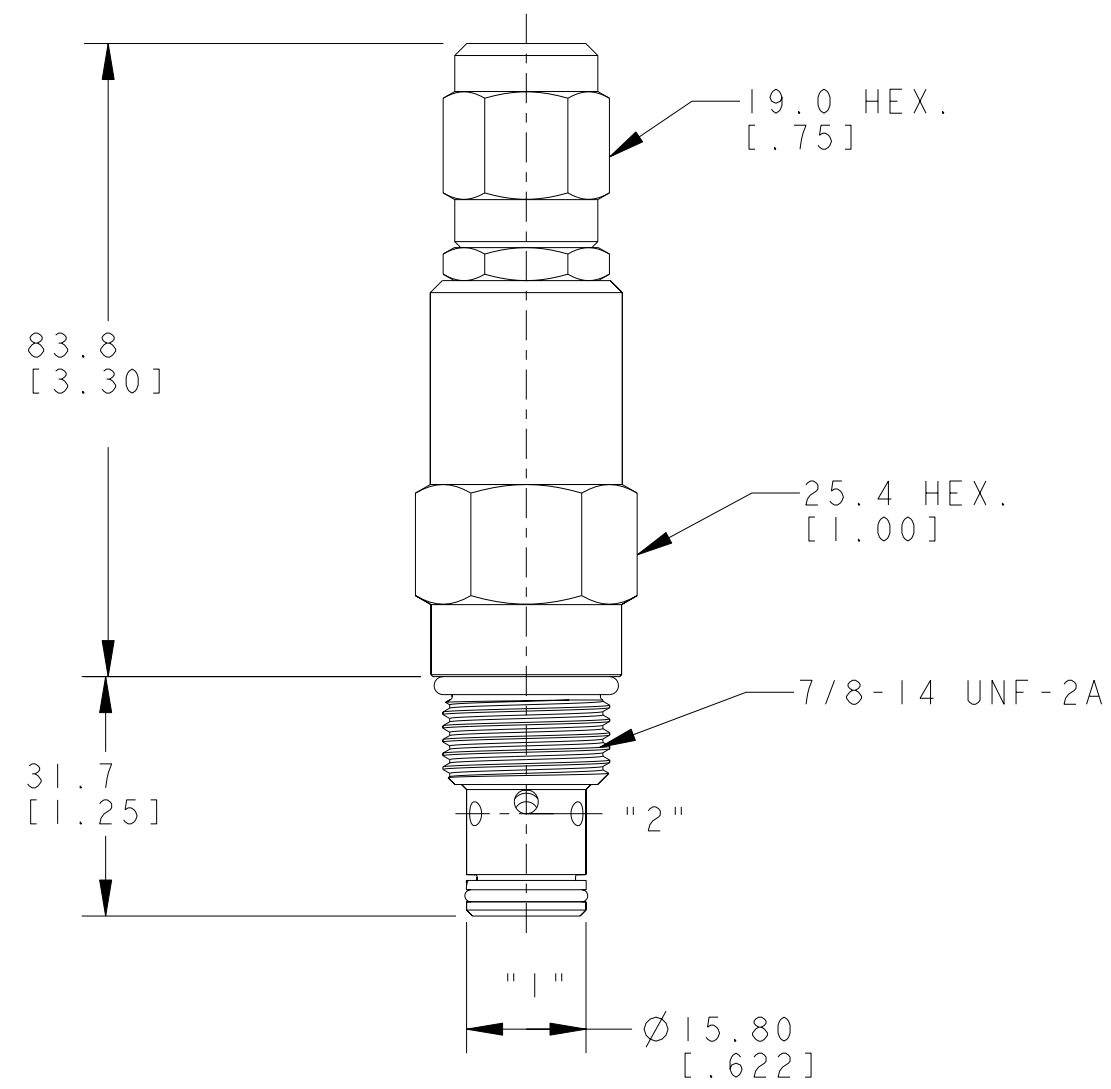
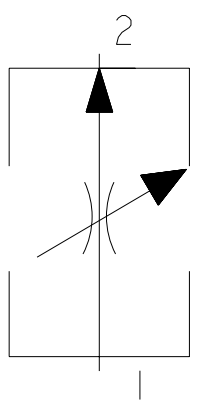


REV	DESCRIPTION	BY	CHK	DATE	ECN / MPS
A	ENGINEERING RELEASE	RSI	JGS	2/12/05	M63978



NOTE:

- USE VALVE CAVITY C-10-2.
- NET WEIGHT: 0.26kg [0.59 lb]
- TORQUE INTO CAVITY:
ALUMINIUM CAVITY: 47-54 N.m [35-40 lbf.ft]
STEEL CAVITY : 68-75 N.m [50-55 lbf.ft]



DISTRIBUTION CODE(S)

UNLESS OTHERWISE SPECIFIED ALL DIMENSIONS ARE IN INCHES <input type="checkbox"/> MILLIMETERS (INCHES) <input checked="" type="checkbox"/>	DRAWING BASED ON ANSI Y14.5M-1982	
	NOTICE TO PERSONS RECEIVING THIS DRAWING AND / OR TECHNICAL INFORMATION	
TOLERANCES .X ± -- .XX ± -- .XXX ± -- ∠ ± --	Eaton Corporation claims proprietary rights in the information disclosed hereon. This document is issued in confidence and is not to be reproduced or used to manufacture anything shown hereon without the written permission of the Eaton Corporation.	
	DRAWN ARS BY/DATE 4/15/05 CHECKED RSI BY/DATE 04-18-05	MATERIAL/HEAT TREAT -- --
UNSPECIFIED RADII ARE: --	ENGRG -- BY/DATE --	TITLE FR2-10-C INSTALLATION
UNSPECIFIED DRAFT ANGLES ARE: --°	<input checked="" type="checkbox"/> MICROINCHES <input type="checkbox"/> MICROMETERS (MICROINCHES) <input checked="" type="checkbox"/> ARITHMETICAL AVERAGE	NUMBER A-2668-005
B SIZE	THIRD ANGLE PROJECTION DO NOT SCALE	SCALE 1/1 SHEET 1 OF 1

