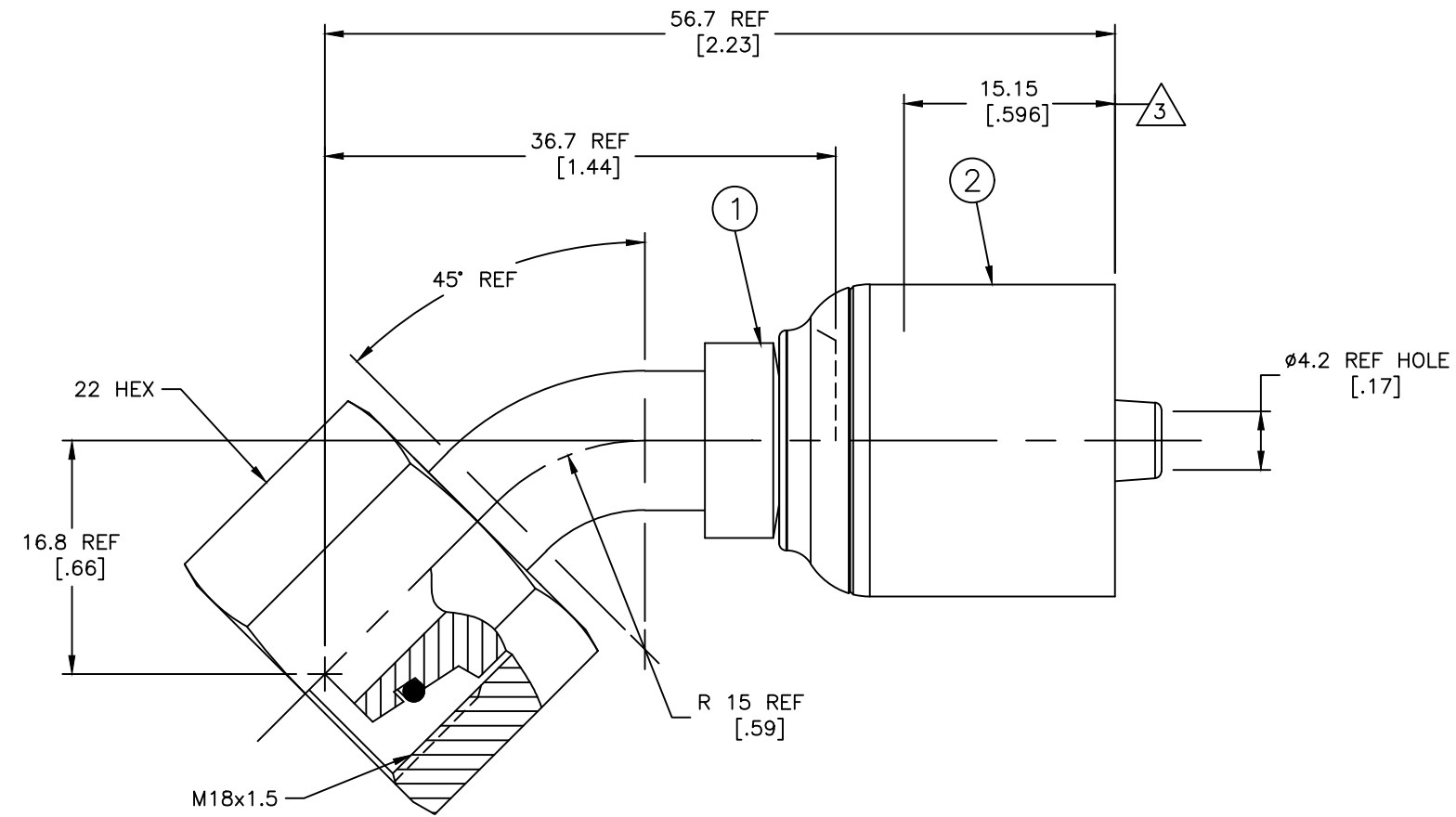


REVISIONS			
REV	DESCRIPTION	DATE	APPROVED



METRIC

04Z-10E	1S6DSA4	04Z-COO			
PART NUMBER	① NIPPLE ASSEMBLY	② SOCKET			

LIST OF MATERIALS

ITEM NO.	MATERIAL
1	STEEL
2	STEEL

DRAWN LWRAGGS CHECKED W.R.HYDE APPROVED W.R.HYDE RELEASE DATE 2005-03-10 EN-F27211 DP-1612 THIRD ANGLE PROJECTION	FLUID CONVEYANCE DIVISION DRAWING TITLE <b>FITTING ASSEMBLY</b> 24° DKO METRIC SWIVEL HD, Z SERIES
SCALE 2/1 DIST U CAGE CODE 01276 SHEET	SIZE A2 DRAWING NUMBER 04Z-10E REV

- ③ STAMP "TRADEMARK" AND "04Z-10E" PER ES 70. (LOCATE AS SHOWN)
- 2. CRIMP SOCKET PER ES 2409.
- 1. DIMENSIONS ARE IN MILLIMETERS [INCH].

DWC.NO. 04Z-10E SH. REV.

THE REPRODUCTION, DISTRIBUTION AND UTILIZATION OF THIS DOCUMENT AS WELL AS THE COMMUNICATION OF ITS CONTENTS TO OTHER WITHOUT EXPLICIT AUTHORIZATION IS PROHIBITED. OFFENDERS WILL BE HELD LIABLE FOR THE PAYMENT OF DAMAGES. ALL RIGHT RESERVED IN THE EVENT OF THE GRANT OF A PATENT, UTILITY MODEL OR DESIGN. (PER ISO 16016)