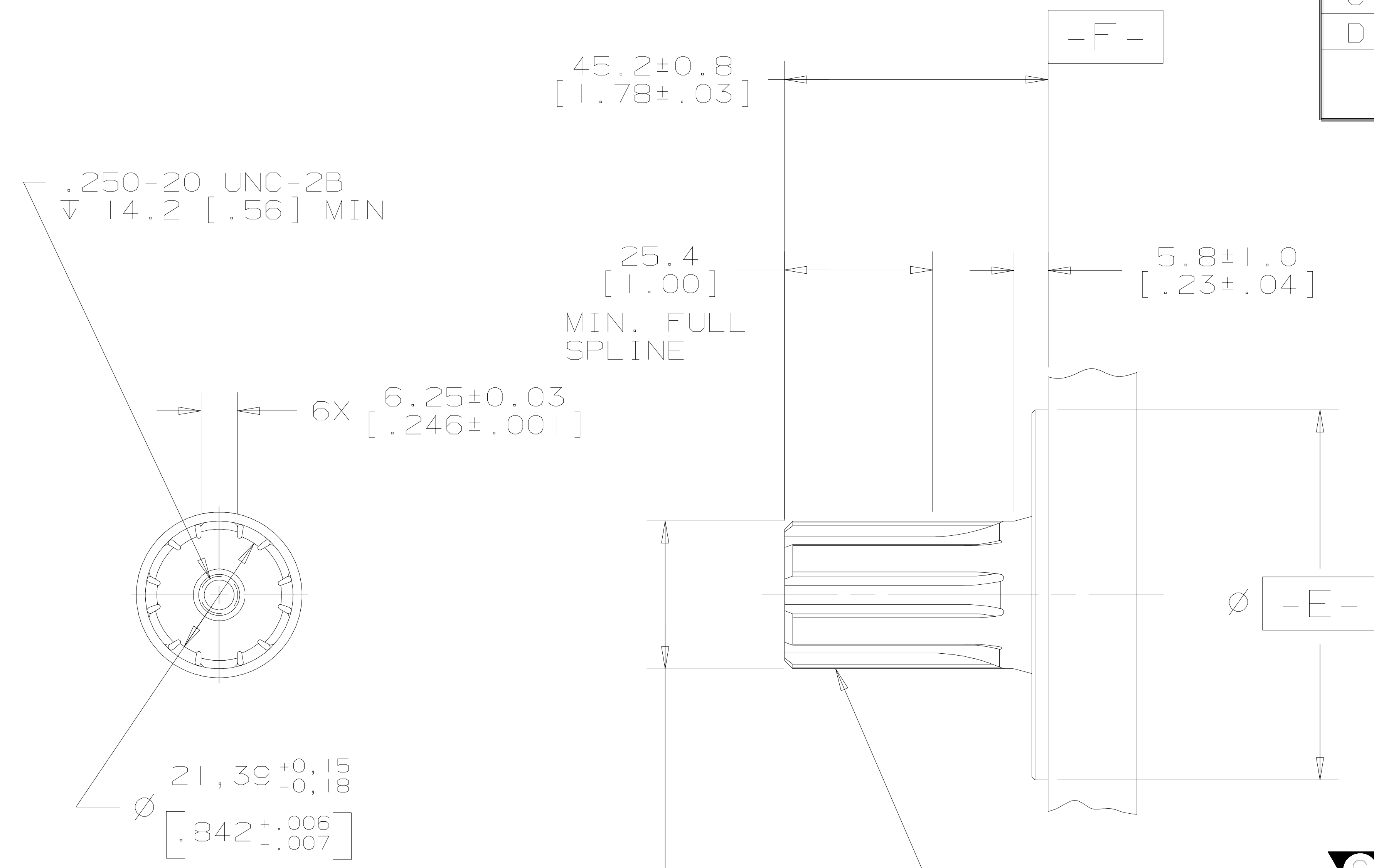
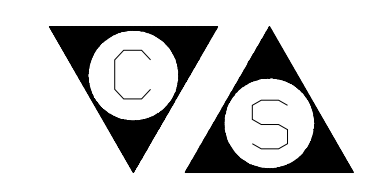


REV	DESCRIPTION	BY	CHK	DATE	ECN
A	ENGINEERING RELEASE	RLL		11-10-87	14736
B	PICTORIAL CHANGE	DGS		7-11-89	17550
C	PICTORIAL CHANGE	MLL		3-19-02	38026
D	UPDATED TO CURRENT FORMAT	CSGSSD		03/04/10	M78543



◎	∅ 0.26 [0.010]	E
⊥	0.08 [0.003]	F

OUTPUT SHAFT
 02 = ∅ 25.4 [1.00] SAE 6B SPLINE
 WITH 1/4-20 UNC-2B THREADED HOLE



REVIEWED FOR CLASSIFICATION PER ESP-042

UNLESS OTHERWISE SPECIFIED ALL DIMENSIONS ARE IN INCHES <input type="checkbox"/> MILLIMETERS [INCHES] <input checked="" type="checkbox"/>	DRAWING BASED ON ANSI Y14.5M-1982	
	THE REPRODUCTION, DISTRIBUTION, AND UTILIZATION OF THIS DOCUMENT, AS WELL AS THE COMMUNICATION OF ITS CONTENTS TO OTHERS WITHOUT EXPLICIT AUTHORIZATION IS PROHIBITED. OFFENDERS WILL BE HELD LIABLE FOR THE PAYMENT OF DAMAGES. ALL RIGHTS RESERVED IN THE EVENT OF THE GRANT OF A PATENT, UTILITY MODEL, OR DESIGN. (PER ISO 16016)	
TOLERANCES .X ± ---- .XX ± REF .XXX ± ONLY < ± ----°	DRAWN RLL BY/DATE 11-3-87	MATERIAL/HEAT TREAT
UNSPECIFIED RADII ARE: -----	CHECKED BY/DATE	TITLE SHAFT INSTALLATION
UNSPECIFIED DRAFT ANGLES ARE: -----°	ENGRG BY/DATE	
B SIZE	THIRD ANGLE PROJECTION	NUMBER A-109-002
	DO NOT SCALE	SCALE 1/1 SHEET 1 OF 1

