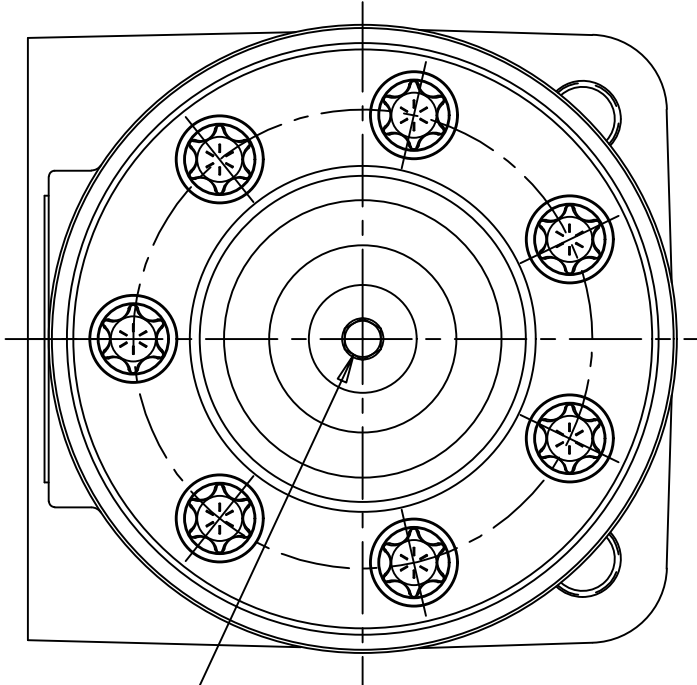
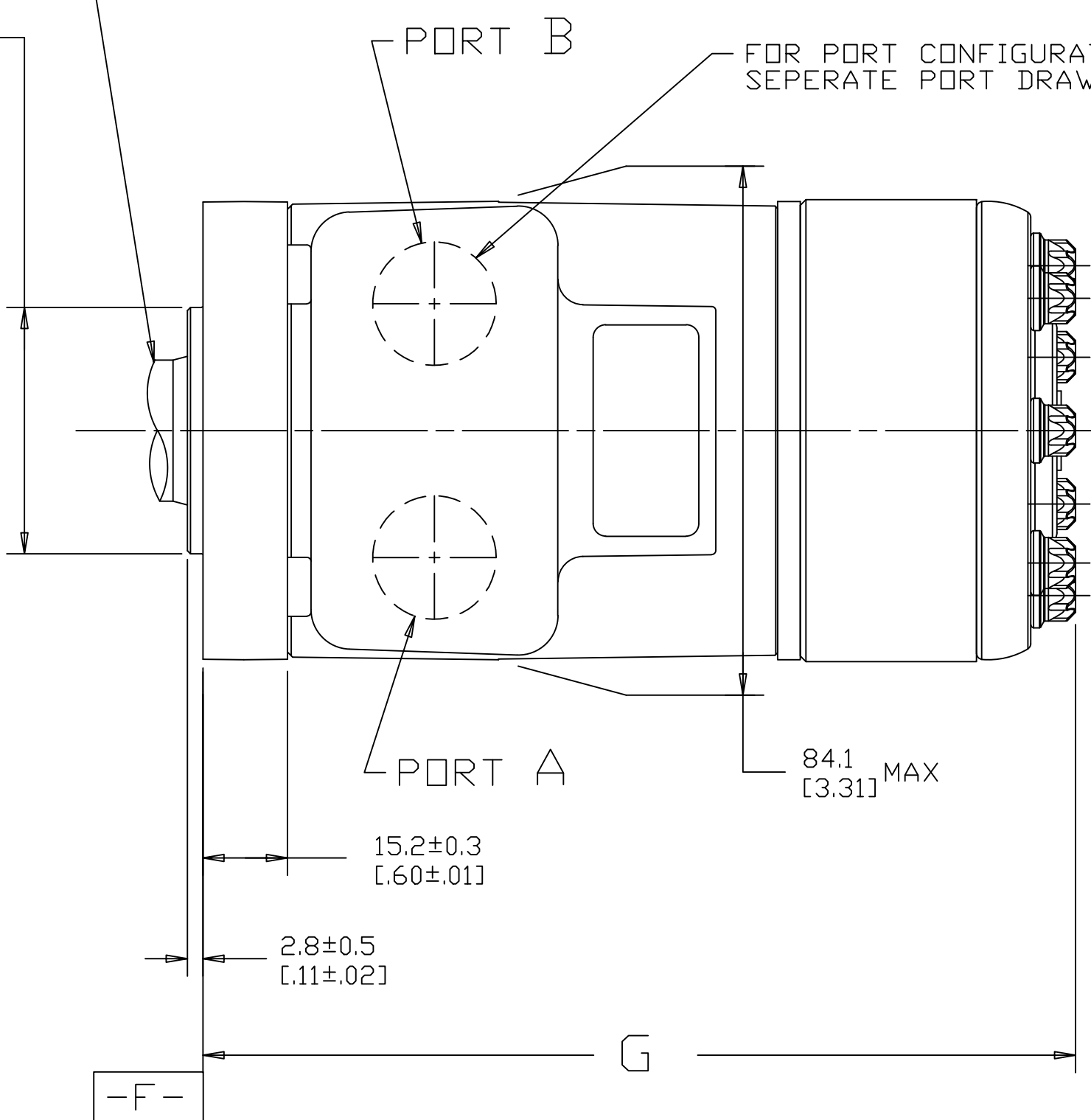
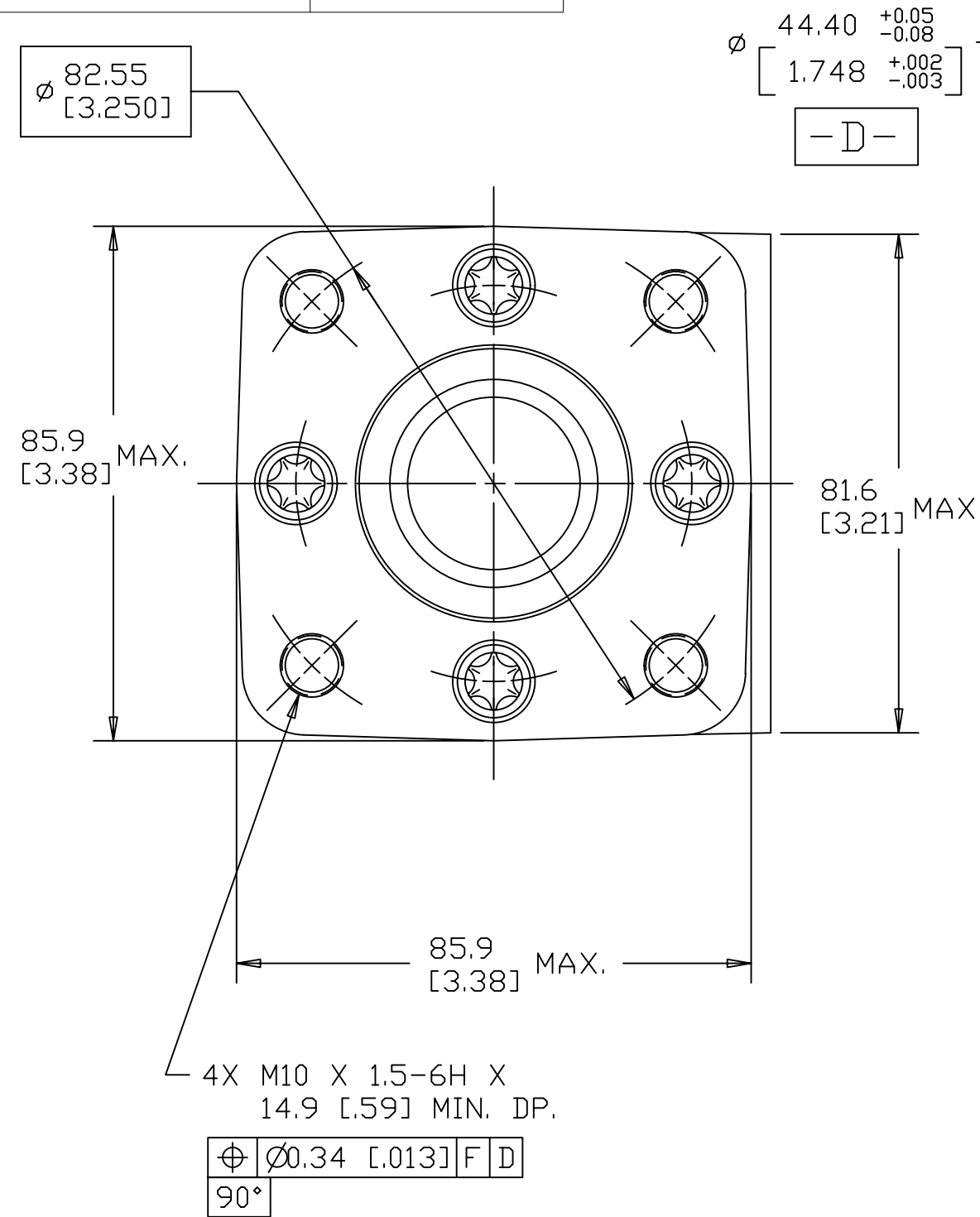


DISPLACEMENT CODE	G MAX
022	132.7 [5.22]
025	133.5 [5.26]
028	132.7 [5.22]
035	136.5 [5.37]
045	136.5 [5.37]
059	139.5 [5.49]
073	142.8 [5.62]
089	146.4 [5.76]
097	148.2 [5.84]
113	151.7 [5.97]
141	158.1 [6.22]
179	166.7 [6.56]
226	177.1 [6.97]
451	228.0 [8.98]

SYM	REVISION	BY	DATE	ECN
A	ENGINEERING RELEASE	RLL	11-10-87	14736
B	-1>(3C)3.25/82,6 MAX WAS 3.21/81,6 MAX-2>(2C)REMOVED 3.31/84,1 Ø MAX -3>(2B)ADDED 3.36/85,4 MAX	DPR	12-13-89	18329
C	-1>(3C) 3.21/81,6 WAS 3.25/82,6 -2>	LK	10-9-90	19520
K	(2B) 3.31/84,1 WAS 3.36/85,4	AAB	01-22-15	0061684
D	-1>REVISED G MAX TAB -2>.10/2,5 MAX WAS .11/2,8 MAX -3>REVISED PICTORIALY	AGJ	8-27-92	22674
E	-1>(4C)WAS 3.28/83,4 MAX -2>(4B)WAS 3.28/83,4 MAX	SJP	04-07-04	46856
F	-1>REVISED PICTORIALY -2>(4D)UPDATED TABULATION FOR G MAX -3>(2B)REMOVED DIM 2.5[.10] MAX -4>UPDATED NOTE AS PER ESP-022-69	AAB	02-17-14	0054756
G	<1C>ADDED EATON LOGO TO ENDCAP	AAB	01-22-15	0061684
H	NOTE 3 WAS CASE DRAIN: 1 = .4375-20 UNF...	ABH	07-27-15	0065202

FOR SHAFT CONFIGURATION SEE SEPERATE SHAFT DRAWINGS.

FOR PORT CONFIGURATION SEE SEPERATE PORT DRAWING



NOTE:

- ROTATION: STANDARD; WHEN FACING SHAFT END OF MOTOR, SHAFT TO ROTATE CLOCKWISE WHEN PORT "A" IS PRESSURIZED. COUNTERCLOCKWISE WHEN PORT "B" IS PRESSURIZED. REVERSE ; WHEN FACING SHAFT END OF MOTOR, SHAFT TO ROTATE CLOCKWISE WHEN PORT "B" IS PRESSURIZED. COUNTERCLOCKWISE WHEN PORT "A" IS PRESSURIZED.
- MOUNTING FLANGE: FA = 4 BOLT STD: Ø44.40 [1.748] X 3.05 [0.120] PILOT, M10 X 1.5-6H MOUNTING HOLES ON Ø82.55 [3.250] B.C.
- CASE DRAIN: 01 = .4375-20 UNF-2B SAE O-RING PORT (END CAP)

REVIEWED FOR CLASSIFICATION PER ESP-042

DRAWING BASED ON ANSI Y14.5M-1982

UNLESS OTHERWISE SPECIFIED ALL DIMENSIONS ARE IN INCHES  MILLIMETERS [INCHES]

TOLERANCES  
 .X ± ----  
 .XX ± ----  
 .XXX ± ----  
 Ø ± ----°

UNSPECIFIED RADII ARE: ----  
 UNSPECIFIED DRAFT ANGLES ARE: ----°

C SIZE

THE REPRODUCTION, DISTRIBUTION AND UTILIZATION OF THIS DOCUMENT AS WELL AS THE COMMUNICATION OF ITS CONTENTS TO OTHER WITHOUT EXPLICIT AUTHORIZATION IS PROHIBITED. OFFENDERS WILL BE HELD LIABLE FOR THE PAYMENT OF DAMAGES. ALL RIGHT RESERVED IN THE EVENT OF THE GRANT OF A PATENT, UTILITY MODEL OR DESIGN. (PER ISO 16016)

**Danfoss**

DRAWN RLL BY/DATE 10-27-87  
 CHECKED KQ BY/DATE 1-25-88  
 ENGRG WCW BY/DATE 1-25-88  
 METALLURGY ---- BY/DATE ----

MATERIAL/HEAT TREAT  
 TITLE  
 H SERIES MOTOR INSTALLATION

NUMBER  
 A-37-326

SCALE 1/1 SHEET 1 OF 1

ARITHMETICAL AVERAGE

THIRD ANGLE PROJECTION  
 DO NOT SCALE