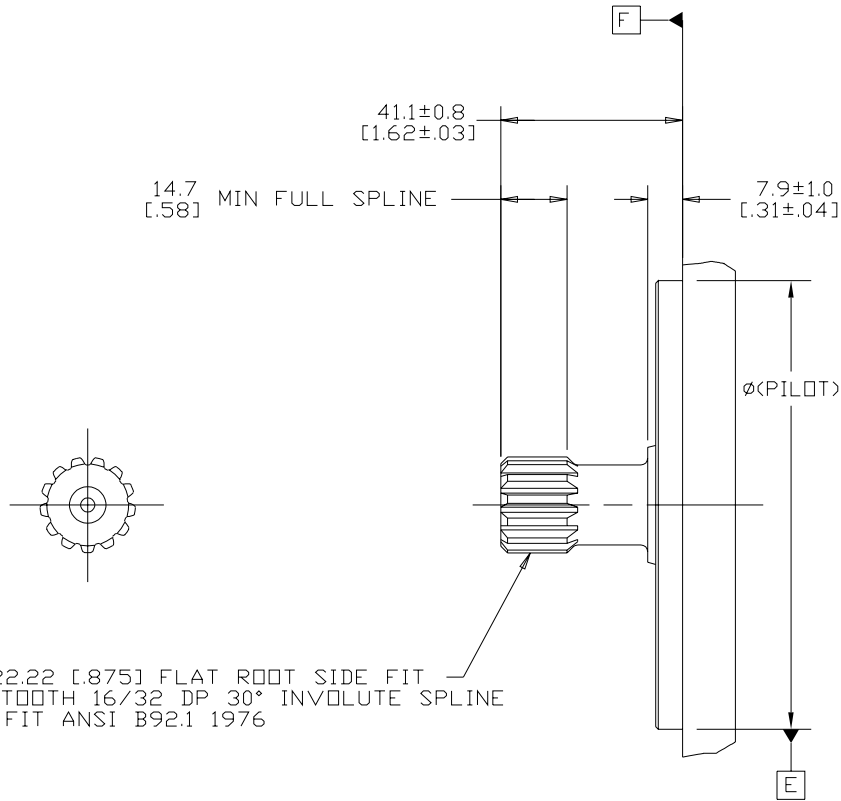


REV	DESCRIPTION	BY	DATE	ECN
A	ENGINEERING RELEASE	RAF	2/22/93	23664
B	-1>DRAWING UPDATED TO ASME Y14.5-2009 STANDARD -2>NOTE 2 WAS ".....OPTION H"	CSG	10/14/13	M90703



Ø 22.22 [.875] FLAT ROOT SIDE FIT
 13 TOOTH 16/32 DP 30° INVOLUTE SPLINE
 TO FIT ANSI B92.1 1976

- NOTE
- 1 OUTPUT SHAFT: OPTION 16
 - 2 MOUNTING TYPE: OPTION DD

REVIEWED FOR CLASSIFICATION PER ESP-042

UNLESS OTHERWISE SPECIFIED ALL DIMENSIONS ARE IN		DRAWING BASED ON ASME Y14.5-2009	
INCHES	<input type="checkbox"/>	EATON CORPORATION - CONFIDENTIAL AND PROPRIETARY NOTICE TO PERSONS RECEIVING THIS DRAWING AND / OR TECHNICAL INFORMATION	
MILLIMETERS (INCHES)	<input checked="" type="checkbox"/>	THIS DOCUMENT, INCLUDING THE DRAWING AND INFORMATION CONTAINED THEREIN, IS CONFIDENTIAL AND IS THE EXCLUSIVE PROPERTY OF EATON CORPORATION, AND IS LOANED AND SUBJECT TO RECALL BY EATON AT ANY TIME. BY TAKING POSSESSION OF THIS DOCUMENT, THE RECIPIENT ACKNOWLEDGES AND AGREES THAT THIS DOCUMENT CANNOT BE USED IN ANY MANNER ADVERSE TO THE INTERESTS OF EATON, AND THAT NO PORTION OF THIS DOCUMENT MAY BE COPIED OR OTHERWISE REPRODUCED WITHOUT THE PRIOR WRITTEN CONSENT OF EATON. IN THE CASE OF CONFLICTING CONTRACTUAL PROVISIONS, THIS NOTICE SHALL GOVERN THE STATUS OF THIS DOCUMENT. COPYRIGHT 2008 EATON CORPORATION - ALL RIGHTS RESERVED.	
TOLERANCES		Eaton Hydraulics Inc. 14615 Lone Oak Road Eden Prairie, MN 55344 USA	
.X ± ---		DRAWN BY/DATE	MATERIAL/HEAT TREAT
.XX ± ---		RAF	
.XXX ± ---		04-07-93	
∅ ± ---°		CHECKED BY/DATE	TITLE
UNSPECIFIED RADII ARE:		ENGRG BY/DATE	SHAFT INSTALLATION
-----		METALLURGY ----- BY/DATE -----	
UNSPECIFIED DRAFT ANGLES ARE:		THIRD ANGLE PROJECTION	
-----°		DO NOT SCALE	
B SIZE		ARITHMETICAL AVERAGE	
		NUMBER	
		A-723-016	
		SCALE	SHEET
		1/1	1 OF 1