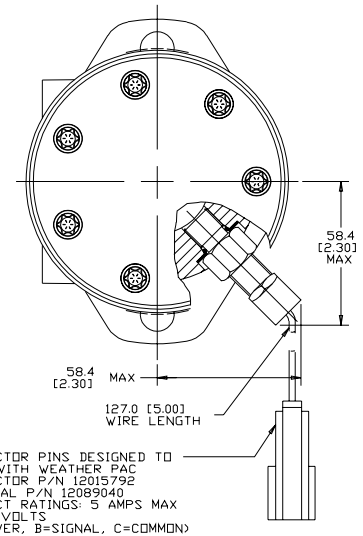
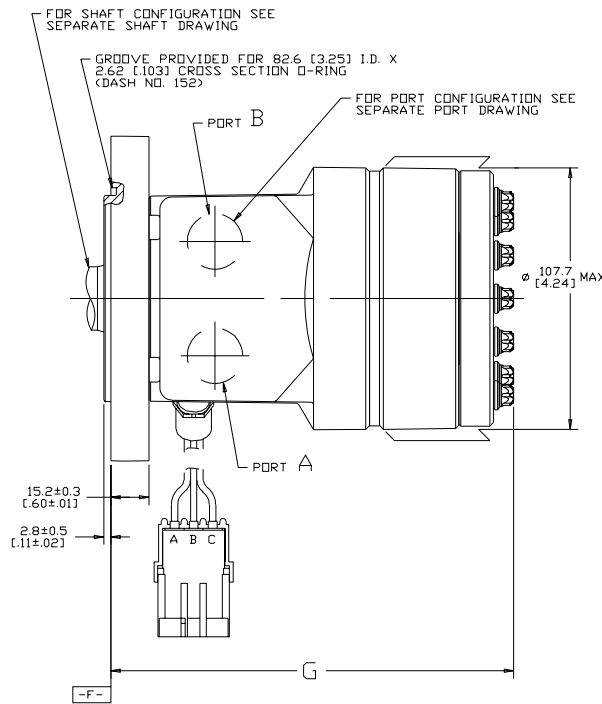
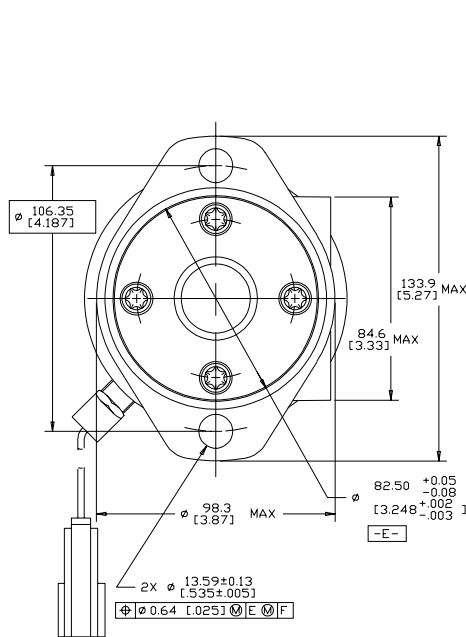


DISP. CODE	G	MAX
036	138.0	[5.43]
046	140.3	[5.52]
057	142.5	[5.61]
073	146.0	[5.75]
088	149.1	[5.87]
101	151.8	[5.98]
114	154.5	[6.08]
137	159.4	[6.28]
182	169.0	[6.66]
227	178.4	[7.02]

REV	DESCRIPTION	BY	CHK	DATE	ECN
A	ENGINEERING RELEASE	SMM		06-09-04	48257
B	-1(X6C) WAS 131.4 [5.17] MAX -2(X7B) WAS Ø96.8 [3.81] MAX	SRM		04-07-04	ECR8166
C	-1) (8A) NOTE 2 WAS MOUNTING FLANGE : *A,S i=.....* -2) (8A) NOTE 3 WAS CASE DRAIN : 0...	TTV	CSG	04-08-16	0070053



- NOTE
- 1 ROTATION:
STANDARD: WHEN FACING SHAFT END OF MOTOR, SHAFT TO ROTATE CLOCKWISE WHEN PORT "A" IS PRESSURIZED
COUNTERCLOCKWISE WHEN PORT "B" IS PRESSURIZED
REVERSE : WHEN FACING SHAFT END OF MOTOR, SHAFT TO ROTATE CLOCKWISE WHEN PORT "B" IS PRESSURIZED
COUNTERCLOCKWISE WHEN PORT "A" IS PRESSURIZED
 - 2 MOUNTING FLANGE:
AA,AD,AN = 2 BOLT STD: Ø82.6 [3.25] X 3.0 [1.2] PILET
Ø13.59 [0.535] MOUNTING HOLES ON Ø106.2 [4.18] B.C.
 - 3 CASE DRAIN:
00 = NO CASE DRAIN
 - 4 SENSOR OUTPUT WILL BE 15 ELECTRICAL PULSES PER SHAFT REVOLUTION.
SUPPLY VOLTAGE: 8 TO 28 Vdc
OUTPUT VOLTAGE: LOW .5 Vdc AT 10 mA; HIGH Vs-1 Vdc

REVIEWED FOR CLASSIFICATION PER ESP-042

UNLESS OTHERWISE SPECIFIED, DIMENSIONS ARE IN: INCHES <input type="checkbox"/> MILLIMETERS <input checked="" type="checkbox"/>	DRAWING BASED ON ANSI Y14.5M-1982	
TOLERANCES	THE REPRODUCTION, DISTRIBUTION AND UTILIZATION OF THIS DOCUMENT, AS WELL AS THE COMMUNICATION OF ITS CONTENTS TO OTHERS WITHOUT EXPRESS AUTHORIZATION IS PROHIBITED. OFFENDERS WILL BE HELD LIABLE FOR THE PAYMENT OF DAMAGES. ALL RIGHTS RESERVED IN THE EVENT OF A PATENT, UTILITY MODEL, OR DESIGN. (PER ISO 10106)	
X .1	BY DATE: SMM 07-02-04	MATERIAL/HEAT TREAT
XX .01	BY DATE: CSKATE AGJ 07-06-04	
XXX .005	BY DATE: JML 07-06-04	TITLE
UNSPECIFIED RADI ARE	METALLPROV----	S MOTOR INSTALLATION
UNSPECIFIED DRAFT ANGLES ARE	THIRD ANGLE PROJECTION	NUMBER
DRAWING FORMAT CASE <input checked="" type="checkbox"/> MANUAL <input type="checkbox"/>	DO NOT SCALE	A-591-001
	ARITHMETICAL AVERAGE	SCALE 1/1 SHEET 1 OF 1