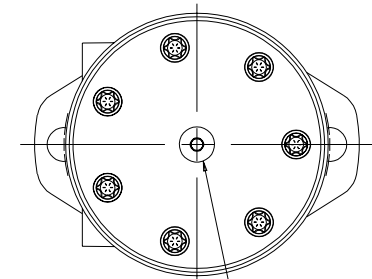
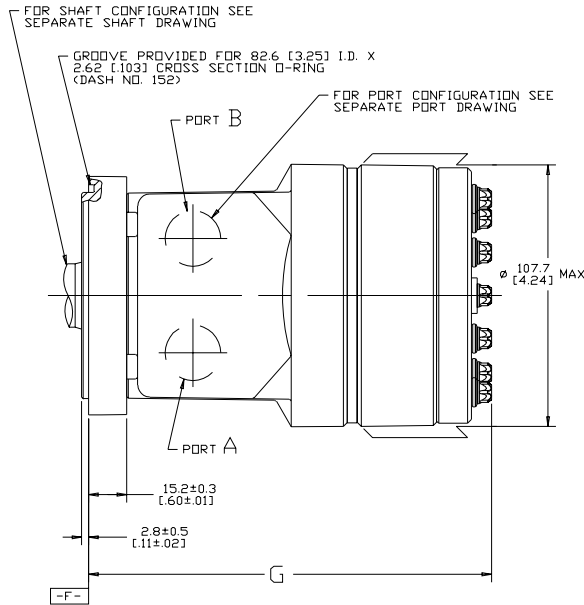
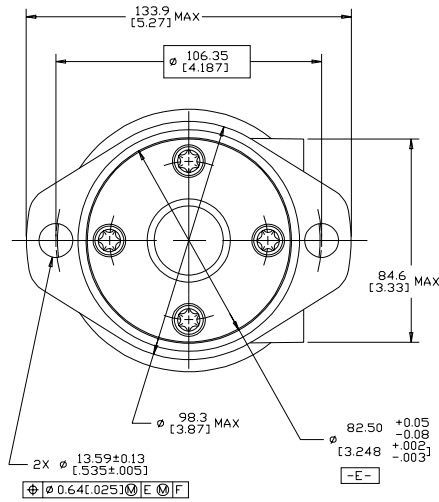


DISP. CODE	G	MAX
036	138.0	[5.43]
046	140.3	[5.52]
057	142.5	[5.61]
073	146.0	[5.75]
088	149.1	[5.87]
101	151.8	[5.98]
114	154.5	[6.08]
137	159.4	[6.28]
182	169.0	[6.66]
227	178.4	[7.02]

REV	DESCRIPTION	BY	CHK	DATE	ECN
A	ENGINEERING RELEASE	SMM		06-09-04	48257
B	-1(X7C) WAS 131.4X[5.17] MAX -2(X7B) WAS Ø96.8X[3.81] MAX	SRM		04-07-04	ECR8166
C	-1) (8A) NOTE 2 WAS MOUNTING FLANGE : *A,S I-----* -2) (8A) NOTE 3 WAS CASE DRAIN : 1...	TTV	CSG	04-08-16	0070053



7/16-20 UNF-2B SAE O-RING CASE DRAIN PORT WHEN REQUIRED, REMOVE O-RING PLUG. DRAIN LINE MUST BE CONNECTED THRU 3.4 bar [50 lbf/in<sup>2</sup>] MIN CHECK VALVE TO RESERVOIR

NOTE  
 1 ROTATION:  
 STANDARD: WHEN FACING SHAFT END OF MOTOR, SHAFT TO ROTATE CLOCKWISE WHEN PORT "A" IS PRESSURIZED COUNTERCLOCKWISE WHEN PORT "B" IS PRESSURIZED  
 REVERSE : WHEN FACING SHAFT END OF MOTOR, SHAFT TO ROTATE COUNTERCLOCKWISE WHEN PORT "B" IS PRESSURIZED ROTATE CLOCKWISE WHEN PORT "A" IS PRESSURIZED  
 2 MOUNTING FLANGE:  
 AA,AD,AN = 2 BOLT STD: Ø82.6 [3.25] X 3.0 [1.12] PILDOT Ø13.59 [0.535] MOUNTING HOLES DN Ø106.2 [4.18] B.C.  
 3 CASE DRAIN:  
 01 = 7/16-20 UNF-2B SAE O-RING PORT (END CAP)

**REVIEWED FOR CLASSIFICATION PER ESP-042**

DRAWING BASED ON ANSI Y14.5M-1982

UNLESS OTHERWISE SPECIFIED, DIMENSIONS ARE IN: INCHES  MILLIMETERS

TOLERANCES:  
 X # ----  
 XX # ----  
 XXX # ----  
 Z # ----

UNSPECIFIED RADI ARE: ---  
 METALLURGY: ---  
 BY/DATE: ---

UNSPECIFIED DRAFT ANGLES ARE: ---  
 THIRD ANGLE PROJECTION:

DRAWING FORMAT: CASE  MANUAL

THE REPRODUCTION, DISTRIBUTION AND UTILIZATION OF THIS DOCUMENT AS WELL AS THE COMMUNICATION OF ITS CONTENTS TO OTHERS WITHOUT EXPRESS AUTHORIZATION IS PROHIBITED. OPERATOR WILL BE HELD LIABLE FOR THE PAYMENT OF DAMAGES. ALL RIGHTS RESERVED IN THE EVENT OF A PATENT, UTILITY MODEL, OR DESIGN (PER ISO 1000)

**Danfoss**

DRAWN: SMM 07-02-04  
 BY/DATE: SMM 07-02-04  
 CHECKED: AGJ 07-06-04  
 BY/DATE: JML 07-06-04

TITLE: S MOTOR INSTALLATION

NUMBER: A-1893-101

SCALE: 1/1 SHEET 1 OF 1