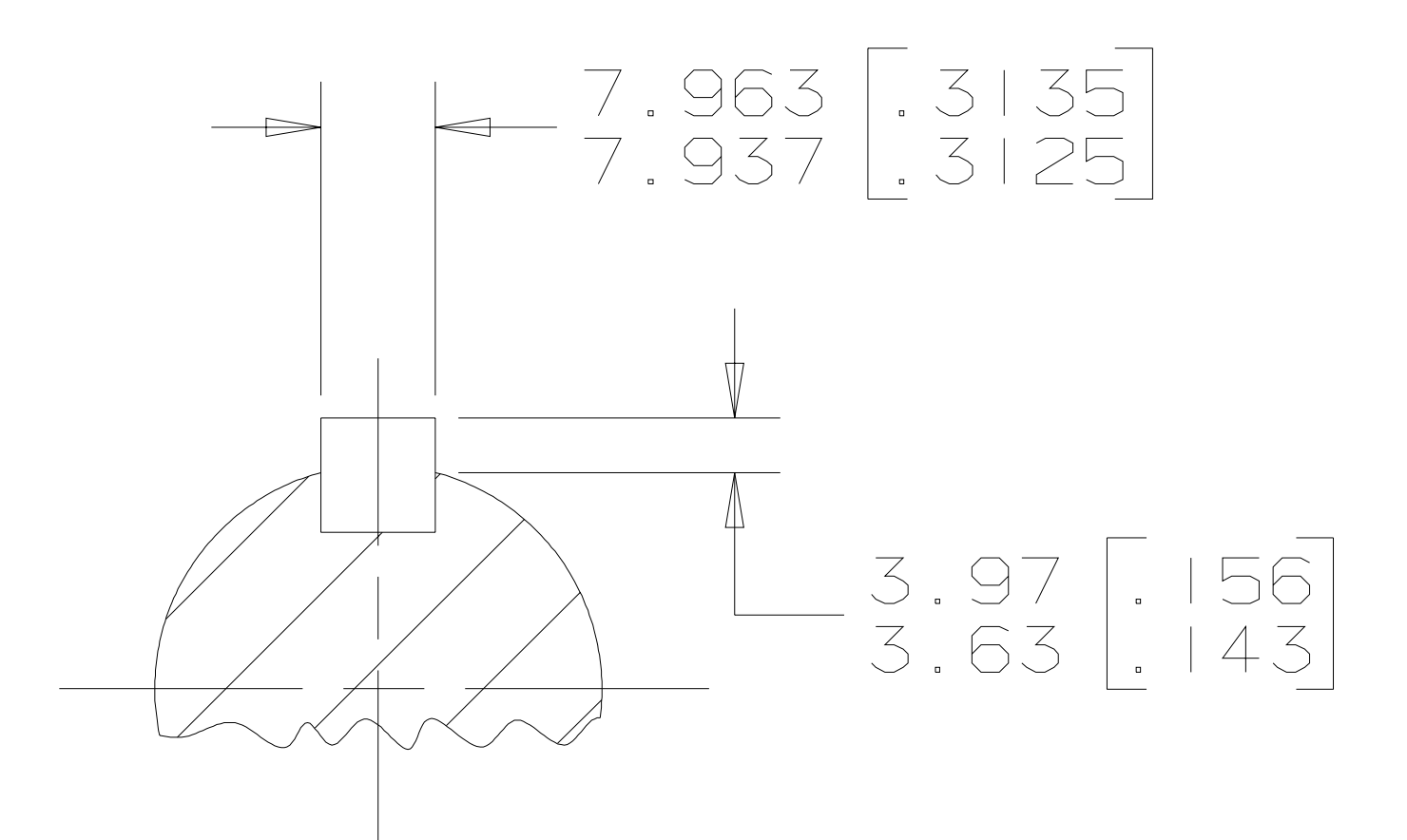
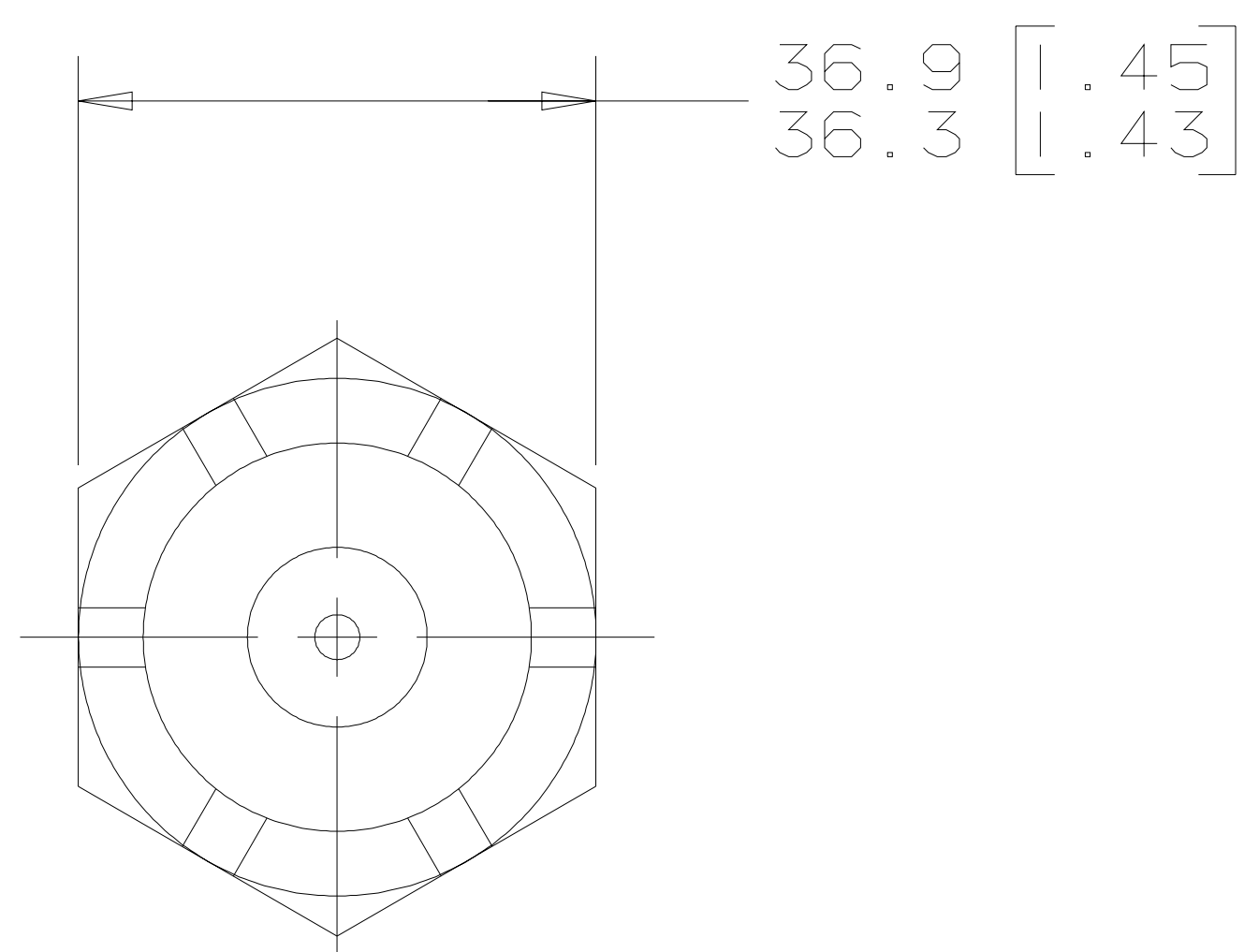
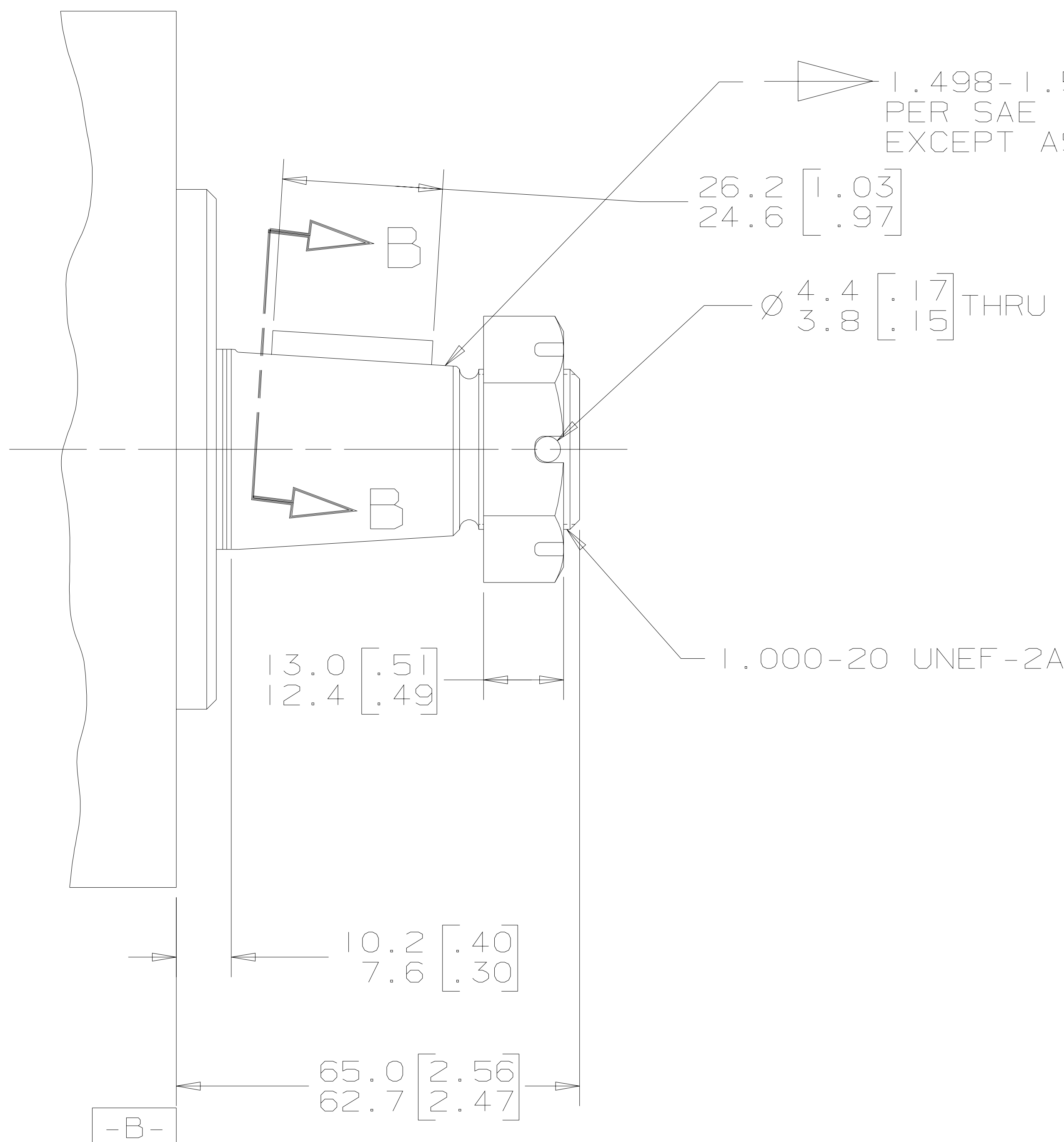


REV	DESCRIPTION	BY	DATE	ECN
A	ENGINEERING RELEASE	AGJ	5-26-93	22833
B	ADDED MOUNTING TYPE "N" TO NOTE 1	AGJ	9-8-93	M8627
C	ADDED MOUNTING TYPE "S" TO NOTE 1	KJR	5-17-94	M11794
D	NOTE 1 WAS MOUNTING TYPE: OPTION H,N AND S	AGJ	5-13-02	41044
E	REVISED	AGJ	5-17-04	47918
F	NOTE 2 WAS "...OUTPUT SHAFT..."	SKS	3-20-06	M66923
G	NOTE 2 WAS OUTPUT SHAFT: OPTION 03,25 & 44	PM	4-4-06	54522
H	REMOVED OUTPUT SHAFT OPTION "44"	AAK	2-1-07	55805



SECTION B-B

G K S

NOTE

- 1 MOUNTING TYPE: OPTION AH, AN AND AS
- 2 OUTPUT SHAFT: OPTION 03,18 & 44

UNLESS OTHERWISE SPECIFIED ALL DIMENSIONS ARE IN INCHES <input type="checkbox"/> MILLIMETERS [INCHES] <input checked="" type="checkbox"/>	DRAWING BASED ON ANSI Y14.5M-1982	
	THE REPRODUCTION, DISTRIBUTION, AND UTILIZATION OF THIS DOCUMENT, AS WELL AS THE COMMUNICATION OF ITS CONTENTS TO OTHERS WITHOUT EXPLICIT AUTHORIZATION IS PROHIBITED. OFFENDERS WILL BE HELD LIABLE FOR THE PAYMENT OF DAMAGES. ALL RIGHTS RESERVED IN THE EVENT OF THE GRANT OF A PATENT, UTILITY MODEL, OR DESIGN. (PER ISO 16016)	
<b>TOLERANCES</b> .X ± ---- .XX ± REF .XXX ± ONLY < ± ----	DRAWN BY/DATE: A. JOHNSON 3-19-93 CHECKED BY/DATE: SDR 6-24-93 ENGRG BY/DATE: SZ 6-28-93 METALLURGY BY/DATE: ----	MATERIAL/HEAT TREAT: _____ TITLE: 2000 SERIES MOTOR SHAFT INSTALLATION
UNSPECIFIED RADII ARE: ---- UNSPECIFIED DRAFT ANGLES ARE: ----	THIRD ANGLE PROJECTION 	MICROINCHES <input type="checkbox"/> MICROMETERS [MICROINCHES] <input type="checkbox"/> ARITHMETICAL AVERAGE <input checked="" type="checkbox"/>
DRAWING FORMAT: CADD <input checked="" type="checkbox"/> MANUAL <input type="checkbox"/>	DO NOT SCALE	NUMBER: A-687-003 SCALE: 1/1 SHEET: 1 OF 1

