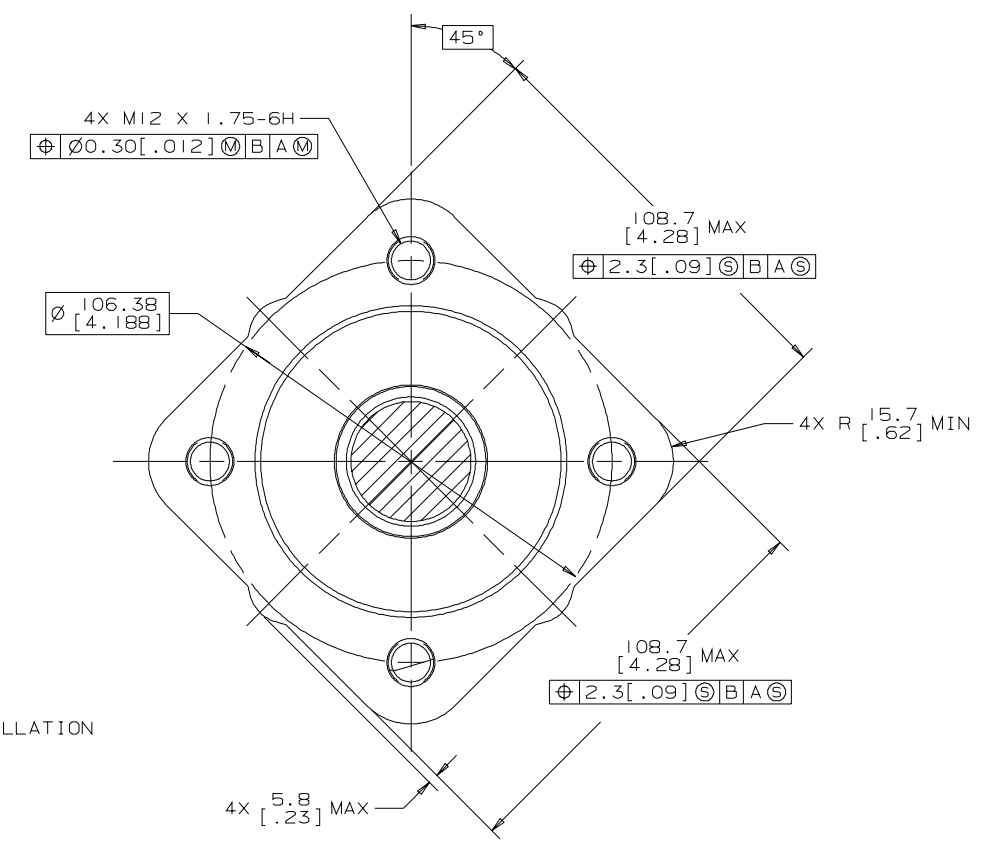
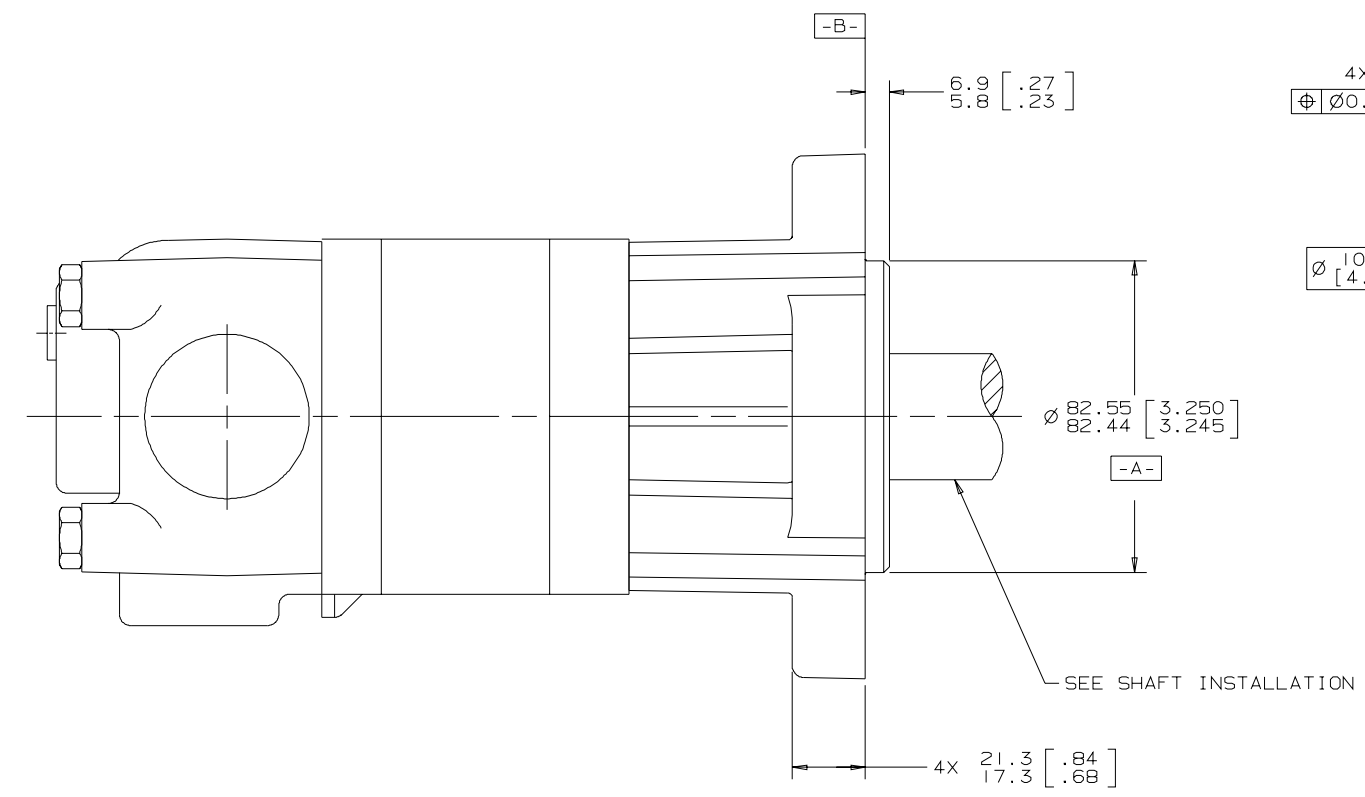
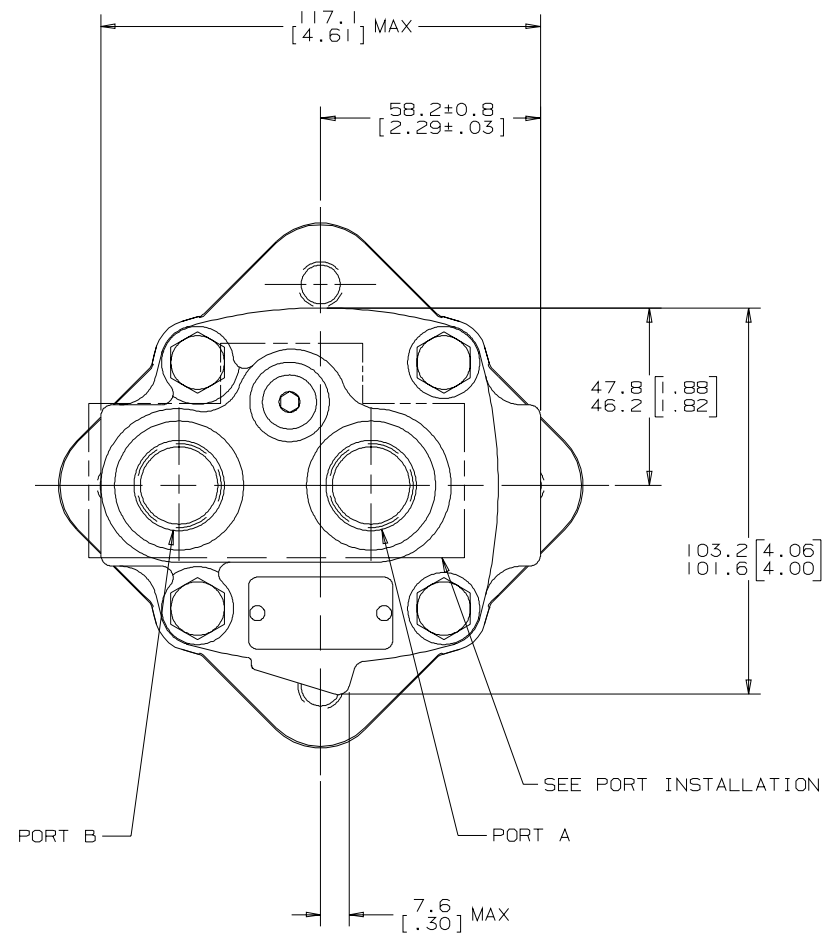


SYM	REVISION	BY	DATE	ECN
A	ENGINEERING RELEASE	KJR	5-17-94	MI1794
B	REVISED	MJZ	6-12-96	27921
C	(4A)NOTE 2 WAS MOUNTING TYPE: S	AGJ	5/13/02	41044



NOTE

1 ROTATION:  
 STANDARD: WHEN FACING SHAFT END OF MOTOR, SHAFT TO ROTATE:  
 CLOCKWISE WHEN PORT "A" IS PRESSURIZED  
 COUNTERCLOCKWISE WHEN PORT "B" IS PRESSURIZED  
 REVERSE: WHEN FACING SHAFT END OF MOTOR, SHAFT TO ROTATE:  
 CLOCKWISE WHEN PORT "B" IS PRESSURIZED  
 COUNTERCLOCKWISE WHEN PORT "A" IS PRESSURIZED

2 MOUNTING TYPE: AS  
 STANDARD 4 BOLT: Ø 82.6 [3.25] PILOT  
 M12 X 1.75-6H TAPPED HOLES ON Ø 106.4 [4.19] BOLT CIRCLE

UNLESS OTHERWISE SPECIFIED ALL DIMENSIONS ARE IN		DRAWING BASED ON ANSI Y14.5M-1982	
INCHES <input type="checkbox"/>	MILLIMETERS <input checked="" type="checkbox"/>	THE REPRODUCTION, DISTRIBUTION, AND UTILIZATION OF THIS DOCUMENT, AS WELL AS THE COMBINATION OF ITS CONTENTS TO OTHERS WITHOUT EXPLICIT AUTHORIZATION IS PROHIBITED. OFFENDERS WILL BE HELD LIABLE FOR THE PAYMENT OF DAMAGES. ALL RIGHTS RESERVED IN THE EVENT OF THE GRANT OF A PATENT, UTILITY MODEL, OR DESIGN (PER ISO 10010)	
TOLERANCES		MATERIAL/HEAT TREAT	
.X	----	DRAWN BY/DATE KJR 5-19-94	CHECKED BY/DATE SDR 5-25-94
.XX	*REF	ENGR BY/DATE MB 5-26-94	TITLE
.XXX	*ONLY	METALLURGY BY/DATE	2000 SERIES MOTOR INSTALL
UNSPECIFIED RADII ARE	----	THIRD ANGLE PROJECTION	WIDRINCHES <input type="checkbox"/> NUMBER
UNSPECIFIED DRAFT ANGLES ARE	----	DO NOT SCALE	WIDOMETERS <input checked="" type="checkbox"/> NUMBER
DRAWING FORMAT CADD <input checked="" type="checkbox"/> MANUAL <input type="checkbox"/>	ARITHMETICAL AVERAGE	SCALE 1/1	SHEET 1 OF 1

G K S

*Danfoss*