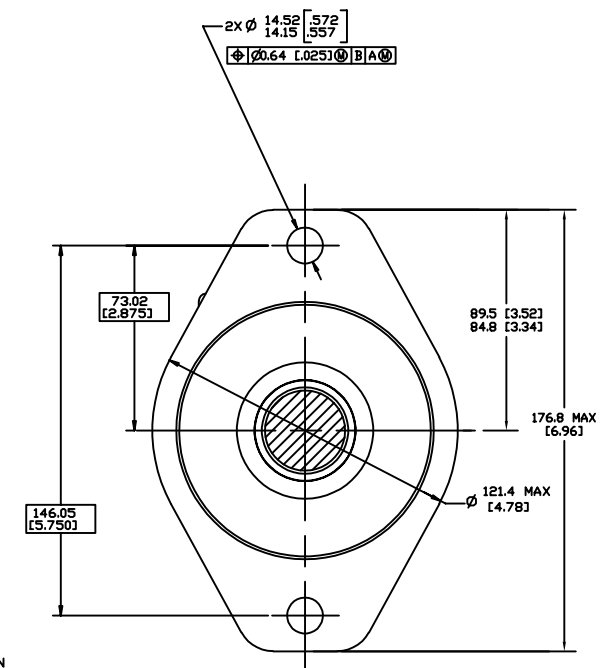
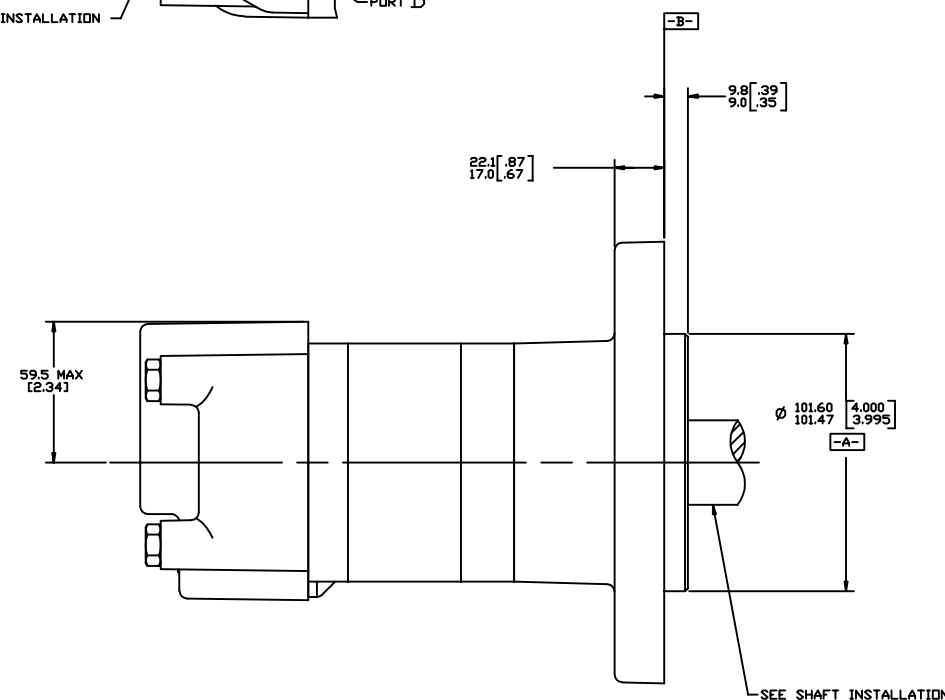
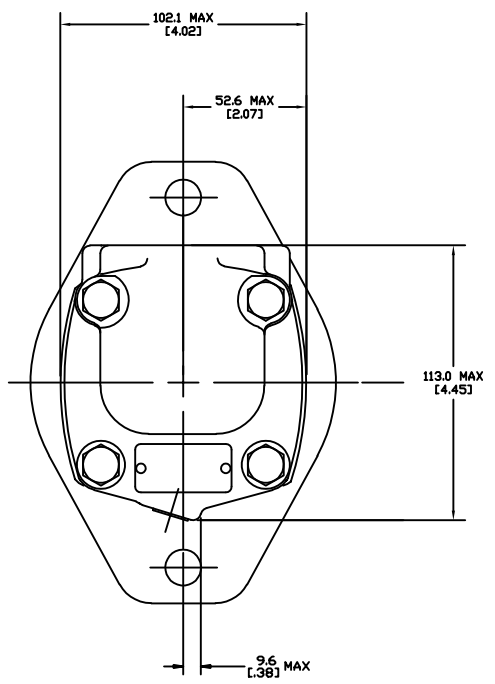
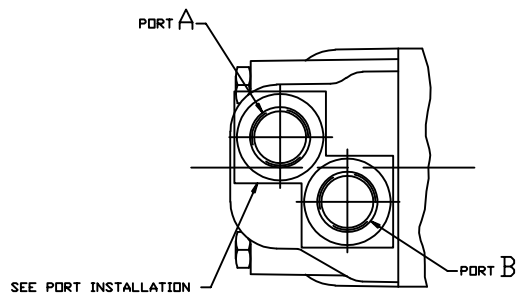


REV	DESCRIPTION	BY	CHK	DATE	ECN
A	ENGINEERING RELEASE	KJR		6-13-94	M11866
B	(SA)NOTE 2 WAS MOUNTING TYPE: F	AGJ		5-13-02	41044
C	REVISED	CSG		05-25-10	M79203



NOTE

1 ROTATION:  
 STANDARD: WHEN FACING SHAFT END OF MOTOR, SHAFT TO ROTATE;  
 CLOCKWISE WHEN PORT 'A' IS PRESSURIZED  
 COUNTERCLOCKWISE WHEN PORT 'B' IS PRESSURIZED

REVERSE: WHEN FACING SHAFT END OF MOTOR, SHAFT TO ROTATE;  
 CLOCKWISE WHEN PORT 'B' IS PRESSURIZED  
 COUNTERCLOCKWISE WHEN PORT 'A' IS PRESSURIZED

2 MOUNTING TYPE: AF  
 STANDARD, 2 BOLT: Ø 101.6 (4.00) PILOT  
 Ø 14.35 (.565) HOLES ON Ø 146.0 (5.75)  
 BOLT CIRCLE 'SAE B'

**REVIEWED FOR CLASSIFICATION PER ESP-042**

UNLESS OTHERWISE SPECIFIED, DIMENSIONS ARE IN INCHES MILLIMETER DIMENSIONS	DRAWING BASED ON ANSI Y14.5M-1982	
TOLERANCES	THE REPRODUCTION, DISTRIBUTION, AND UTILIZATION OF THIS DOCUMENT, AS WELL AS THE COMMUNICATION OF ITS CONTENTS TO OTHERS WITHOUT EXPLICIT AUTHORIZATION IS PROHIBITED. OFFENDERS WILL BE HELD LIABLE FOR THE PAYMENT OF DAMAGES. ALL RIGHTS RESERVED IN THE EVENT OF THE GRANT OF A PATENT, UTILITY MODEL, OR DESIGN (PER ISO 1000).	
± .0005	DATE: KJR 6-15-94	DANFOSS
± .001	DATE: SDR 6-16-94	
UNSPECIFIED HOLE SIZE	DATE: MLB 6-16-94	TITLE
UNSPECIFIED SHAFT ANGLES ARE	DATE: [blank]	2000 SERIES MOTOR INSTALL
THIRD ANGLE PROJECTION	DATE: [blank]	NUMBER
D SIZE	DO NOT SCALE	A-667-007
		SCALE 1/1
		SHEET 1 OF 1