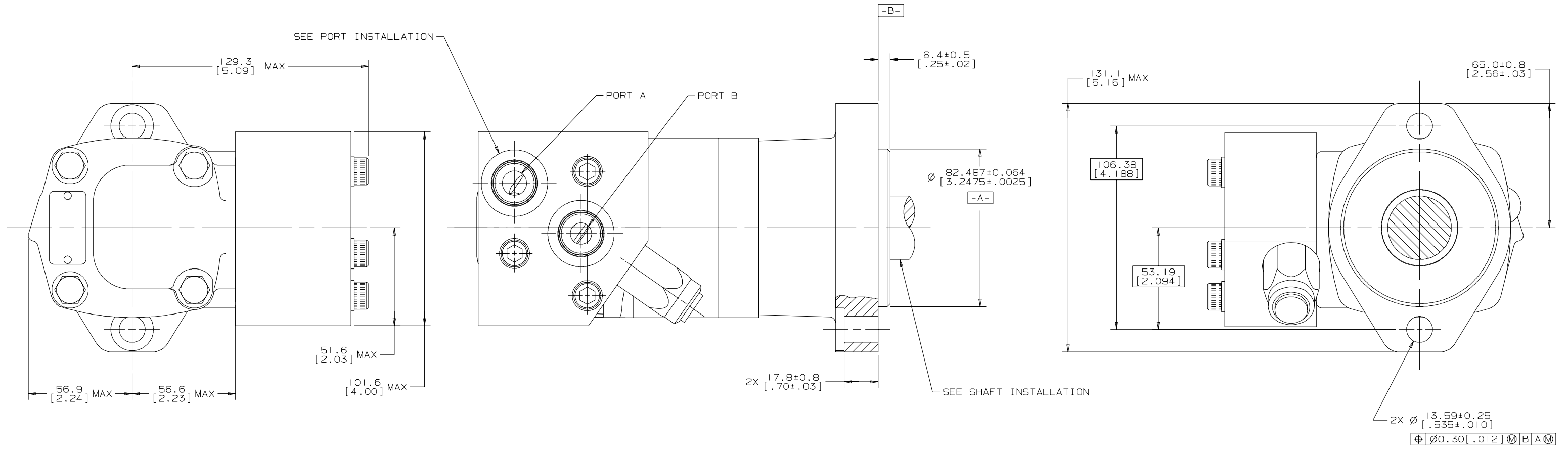


REV	DESCRIPTION	BY	CHK	DATE	ECN
A	ENGINEERING RELEASE	RCB		12/9/97	M18865
B	(5A)NOTE 2 WAS MOUNTING TYPE: C	AGJ		5-13-02	41044



NOTE

- 1 ROTATION:  
 STANDARD: WHEN FACING SHAFT END OF MOTOR, SHAFT TO ROTATE;  
 CLOCKWISE WHEN PORT "A" IS PRESSURIZED  
 COUNTERCLOCKWISE WHEN PORT "B" IS PRESSURIZED
- REVERSE: WHEN FACING SHAFT END OF MOTOR, SHAFT TO ROTATE;  
 COUNTERCLOCKWISE WHEN PORT "B" IS PRESSURIZED  
 CLOCKWISE WHEN PORT "A" IS PRESSURIZED
- 2 MOUNTING TYPE: AC  
 STANDARD, 2 BOLT: Ø 82.6 [3.25] PILOT  
 Ø 13.59 [.535] HOLES ON Ø 106.4 [4.19]  
 BOLT CIRCLE "SAE A"

G K S

UNLESS OTHERWISE SPECIFIED ALL DIMENSIONS ARE IN		DRAWING BASED ON ANSI Y14.5M-1982	
INCHES <input checked="" type="checkbox"/>	MILLIMETERS <input type="checkbox"/>	THE REPRODUCTION, DISTRIBUTION, AND UTILIZATION OF THIS DOCUMENT, AS WELL AS THE COMMUNICATION OF ITS CONTENTS TO OTHERS WITHOUT EXPLICIT AUTHORIZATION IS PROHIBITED. OFFENDERS WILL BE HELD LIABLE FOR THE PAYMENT OF DAMAGES. ALL RIGHTS RESERVED IN THE EVENT OF THE GRANT OF A PATENT, UTILITY MODEL, OR DESIGN. (PER ISO 10119)	
TOLERANCES		DANFOSS	
.X	----	DRAWN BY/DATE RCB 12/9/97	MATERIAL/HEAT TREAT
.XXX	----	CHECKED RAF 12/19/97	
<	----	ENGR BY/DATE JDM 12/19/97	TITLE
UNSPECIFIED RADII ARE	----	METALLURGY BY/DATE	2000 SERIES MOTOR INSTALLATION
UNSPECIFIED DRAFT ANGLES ARE	----	THIRD ANGLE PROJECTION	250/
DRAWING FORMAT CADD <input checked="" type="checkbox"/> MANUAL <input type="checkbox"/>	DO NOT SCALE	ARITHMETICAL AVERAGE	SCALE 1/1 SHEET 1 OF 1