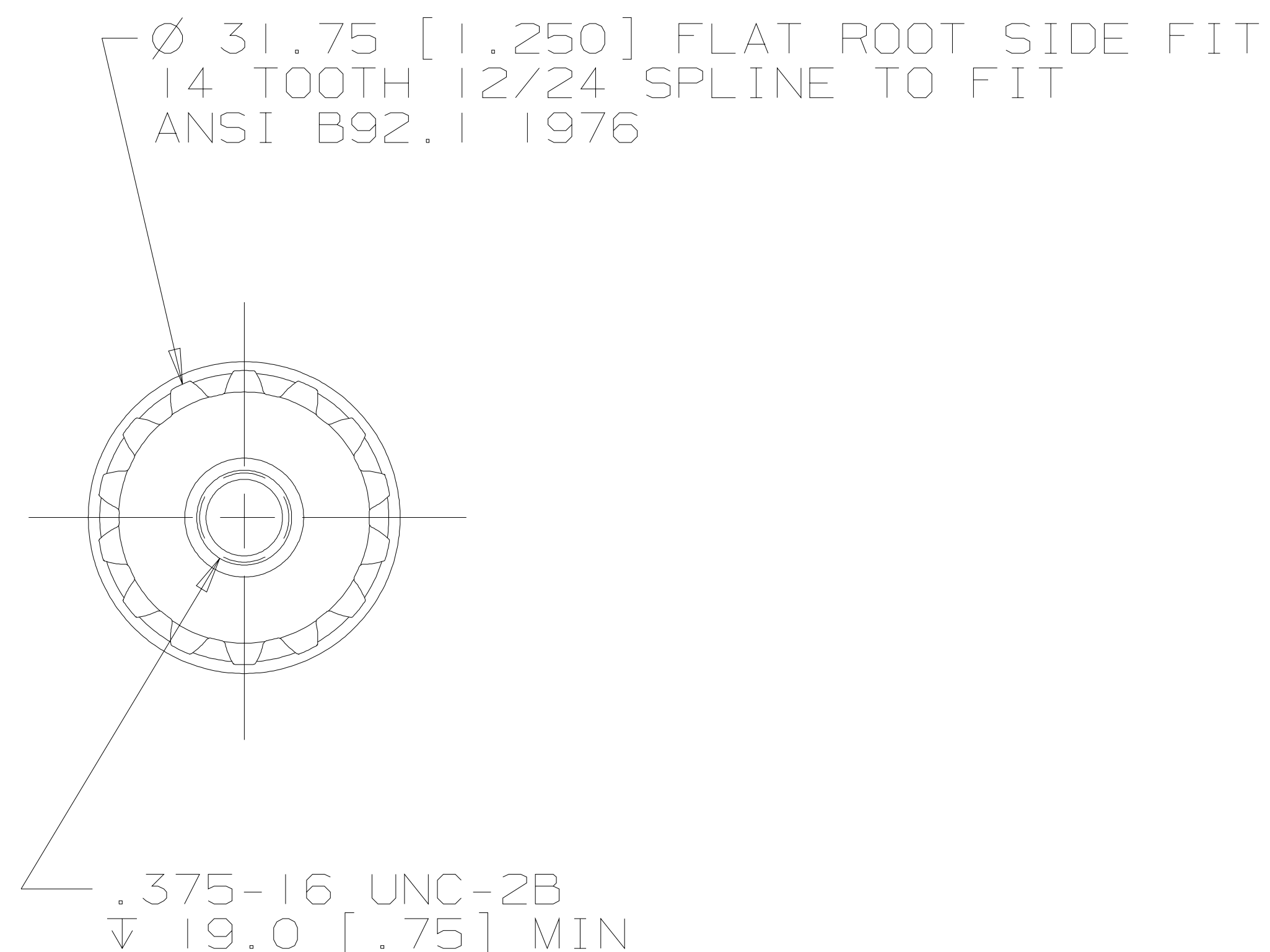
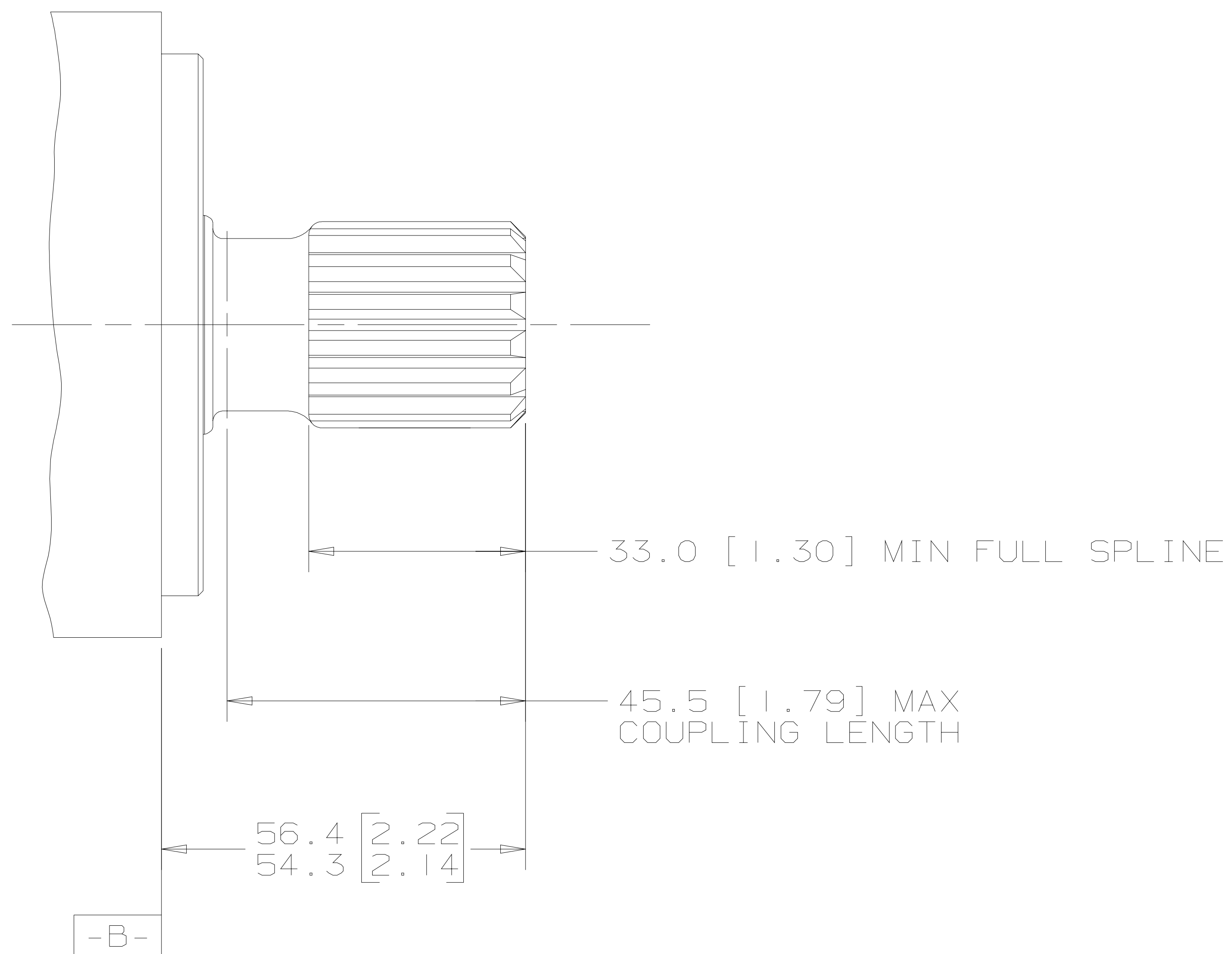


REV	DESCRIPTION	BY	CHK	DATE	ECN
A	ENGINEERING RELEASE	AGJ		10-8-99	M22220
B	ADDED MOUNTING TYPE 5 TO NOTE 1	AGJ		2-29-00	M23080
C	NOTE 1 WAS MOUNTING TYPE: OPTION U OR 5	AGJ		5-13-02	41044
D	56.4/54.3 [2.22/2.14] WAS 56.6/54.1 [2.23/2.13]	AGJ		5-17-04	47918
E	NOTE 2 WAS OUTPUT SHAFT: OPTION 04 & 28	PM		4-4-06	54522



G K S

NOTE

- 1 MOUNTING TYPE: OPTION AU OR BD
- 2 OUTPUT SHAFT: OPTION 04 & 21

UNLESS OTHERWISE SPECIFIED ALL DIMENSIONS ARE IN INCHES <input type="checkbox"/> MILLIMETERS [INCHES] <input checked="" type="checkbox"/>	DRAWING BASED ON ANSI Y14.5M-1982		
	THE REPRODUCTION, DISTRIBUTION, AND UTILIZATION OF THIS DOCUMENT, AS WELL AS THE COMMUNICATION OF ITS CONTENTS TO OTHERS WITHOUT EXPLICIT AUTHORIZATION IS PROHIBITED. OFFENDERS WILL BE HELD LIABLE FOR THE PAYMENT OF DAMAGES. ALL RIGHTS RESERVED IN THE EVENT OF THE GRANT OF A PATENT, UTILITY MODEL, OR DESIGN. (PER ISO 16016)		
TOLERANCES .X ± ---- .XX ± REF .XXX ± ONLY ∠ ± ----	DRAWN BY/DATE AGJ 10-8-99	MATERIAL/HEAT TREAT	
UNSPECIFIED RADII ARE ----	CHECKED BY/DATE RAF 10-8-99	TITLE 2000 SERIES MOTOR SHAFT INSTALLATION	
UNSPECIFIED DRAFT ANGLES ARE ----	ENGRG BY/DATE TRF 10-8-99	NUMBER A-1103-004	
DRAWING FORMAT CADD <input checked="" type="checkbox"/> MANUAL <input type="checkbox"/>	THIRD ANGLE PROJECTION DO NOT SCALE	MICROINCHES <input type="checkbox"/> MICROMETERS [MICROINCHES] <input type="checkbox"/> ARITHMETICAL AVERAGE <input checked="" type="checkbox"/>	SCALE 1/1 SHEET 1 OF 1