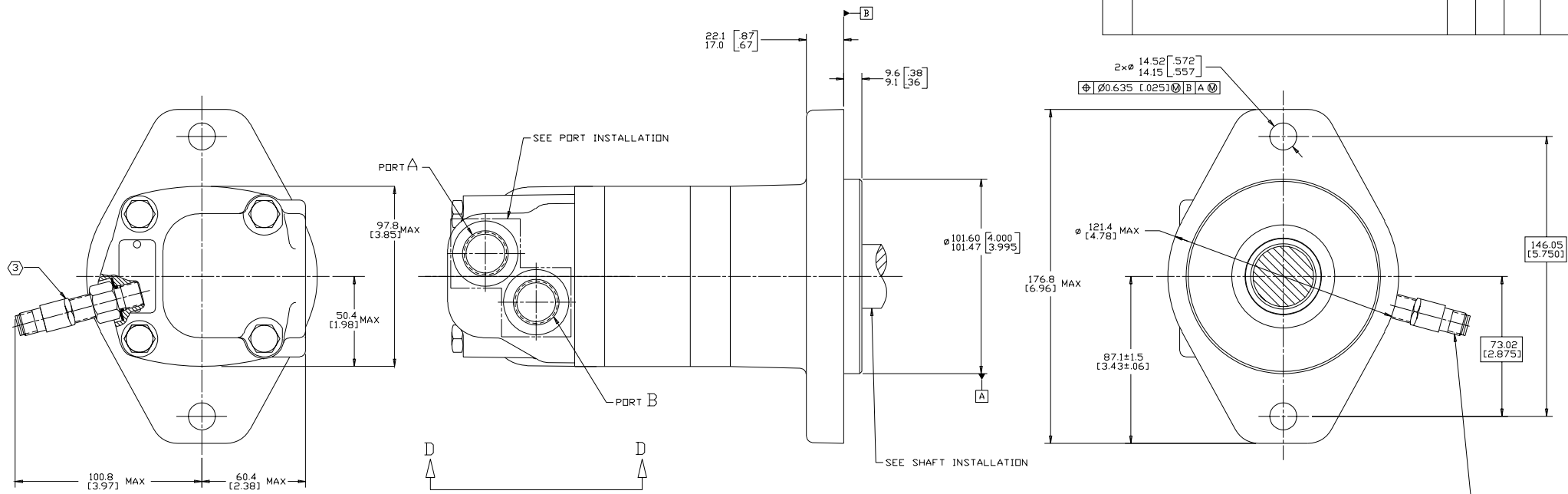
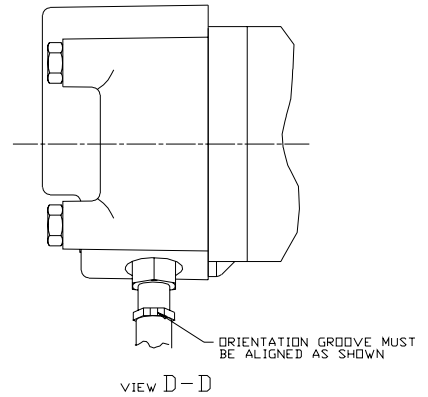


REV	DESCRIPTION	BY	CHK	DATE	ECN
A	ENGINEERING RELEASE	AGJ		1-2-03	M29661
B	(4A) NOTE 2 WAS MOUNTING TYPE F	AGJ		5-13-02	41044
C	-1)REVISED AS PER STACK-UP -2)UPDATED TO ASME Y14.5-2009 STANDARD	NRI	SMT	06-18-14	M93172



CONNECTOR PINS DESIGNED TO MATE WITH TURK EUROFAST VKCV 4.4T CABLE BRAD HARRISON MICRO-CHANGE SINGLE KEYWAY PLUS LUMBERG "MICRO" STYLE 12 mm DC CONNECTOR
 PIN 1 = POWER
 PIN 2 = DIRECTION
 PIN 3 = COMMON
 PIN 4 = SPEED



- NOTE
- ROTATION:
 STANDARD: WHEN FACING SHAFT END OF MOTOR, SHAFT TO ROTATE;
 CLOCKWISE WHEN PORT "A" IS PRESSURIZED
 COUNTERCLOCKWISE WHEN PORT "B" IS PRESSURIZED
 REVERSE: WHEN FACING SHAFT END OF MOTOR, SHAFT TO ROTATE;
 CLOCKWISE WHEN PORT "B" IS PRESSURIZED
 COUNTERCLOCKWISE WHEN PORT "A" IS PRESSURIZED
 - MOUNTING TYPE: AF
 STANDARD, 2 BOLT: ϕ 101.6 [4.00] PILOT
 ϕ 14.35 [5.65] HOLES ON ϕ 146.0 [5.75]
 BOLT CIRCLE "SAE B"
 - NOMINAL SENSOR OUTPUT WILL BE 60 ELECTRICAL PULSES PER SHAFT REVOLUTION AND DIRECTIONAL SIGNAL
 SUPPLY VOLTAGE: 8 TO 28 Vdc
 OUTPUT VOLTAGE: LOW .5 Vdc AT 10 mA; HIGH Vs-1 Vdc

REVIEWED FOR CLASSIFICATION PER ESP -042

UNLESS OTHERWISE SPECIFIED DIMENSIONS ARE IN INCHES <input type="checkbox"/> MILLIMETERS <input checked="" type="checkbox"/>	DRAWING BASED ON ASME Y14.5-2009		
TOLERANCES	THE REPRODUCTION, DISTRIBUTION AND UTILIZATION OF THIS DOCUMENT, AS WELL AS THE COMMUNICATION OF ITS CONTENTS TO OTHERS WITHOUT EXPLICIT AUTHORIZATION IS PROHIBITED. OFFENDERS WILL BE HELD LIABLE FOR THE PAYMENT OF DAMAGES. ALL RIGHTS RESERVED IN THE EVENT OF A PATENT, UTILITY MODEL, OR DESIGN. (PER ISO 9000)		
X 4 - - - -	DRAWN BY DATE	MATERIAL/HEAT TREAT	A-667-016
XX 1 - - - -	DATE/TIM 1-28-03		
UNSPECIFIED RADI ARE - - - -	ENGINEER BY DATE	TITLE	2000 SERIES MOTOR INSTALL
UNSPECIFIED DRAFT ANGLES ARE - - - -	METALLURGY BY DATE		
THIRD ANGLE PROJECTION	DO NOT SCALE	ARITHMETICAL AVERAGE	SCALE 1/1 SHEET 1 OF 1