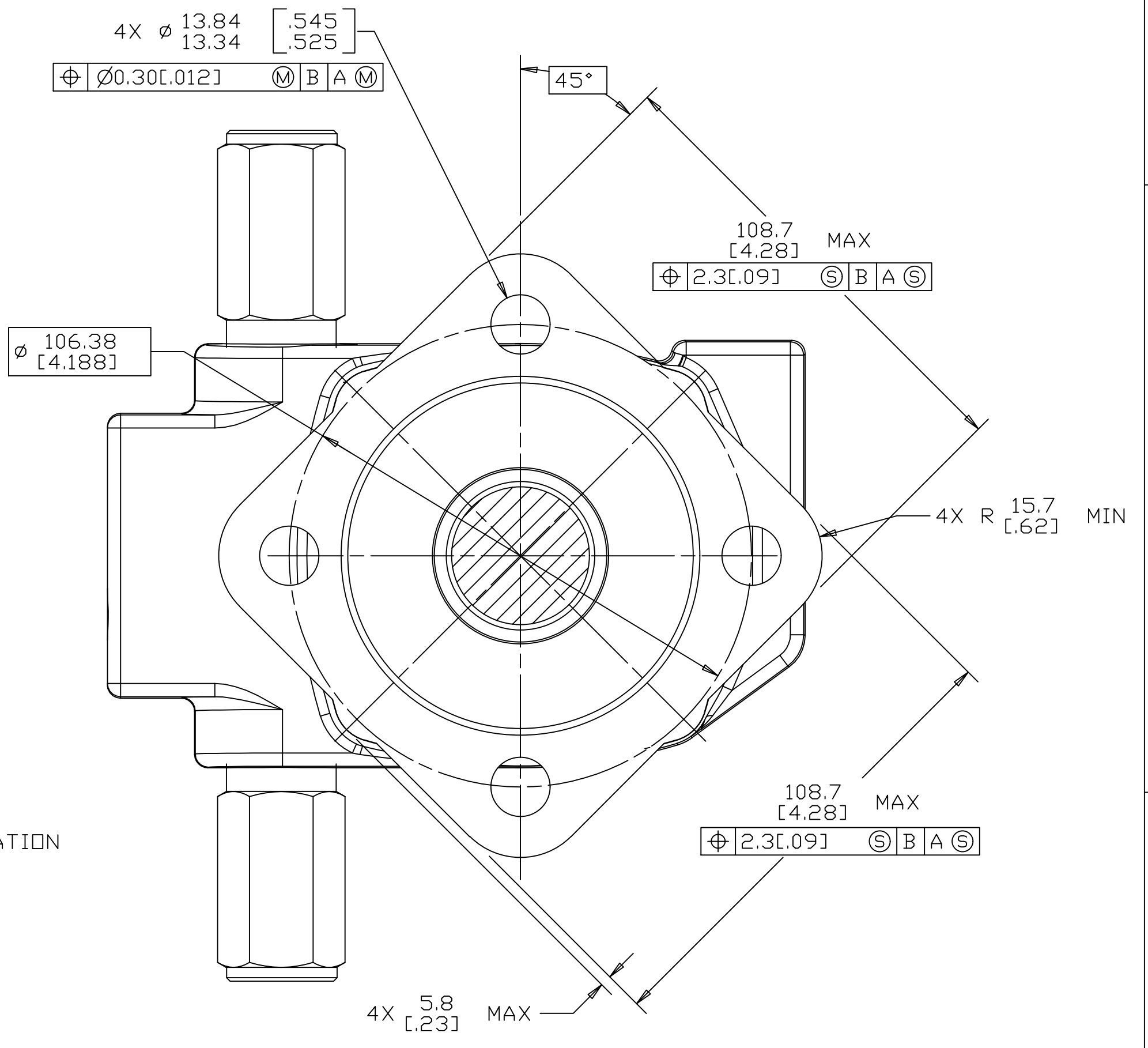
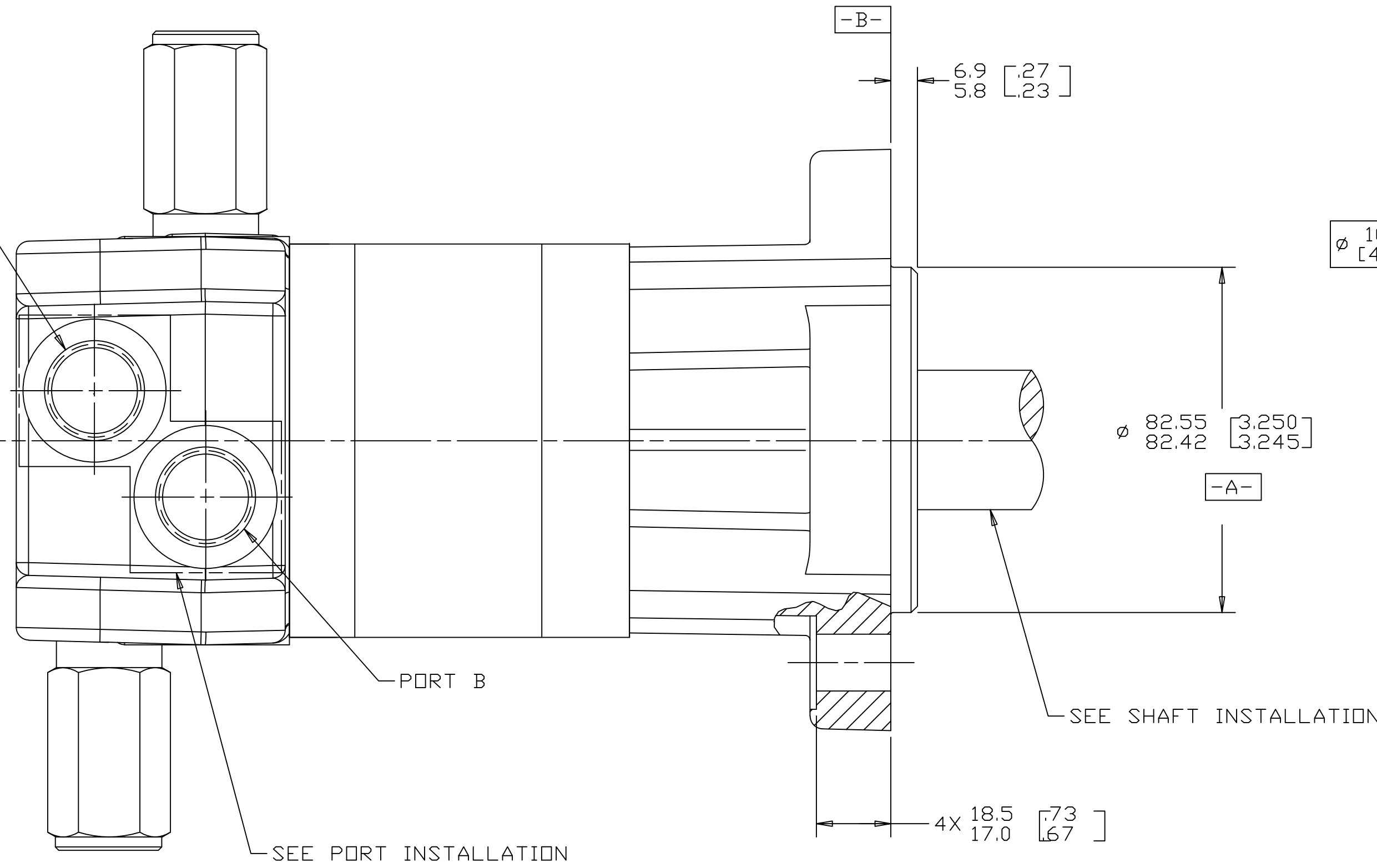
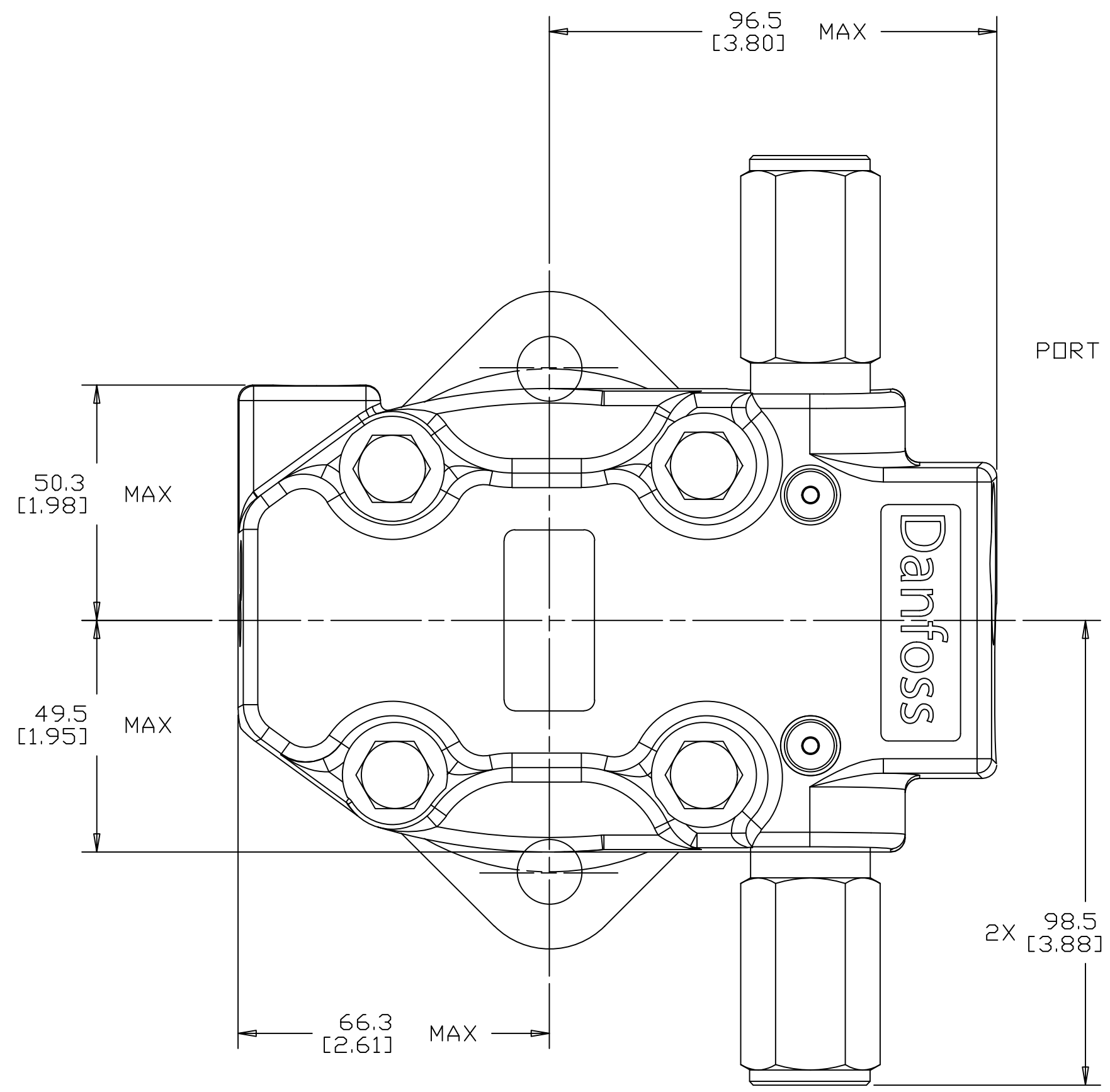


REV	DESCRIPTION	BY	CHK	DATE	ECN
A	ENGINEERING RELEASE	AAK		10-15-04	M62937



NOTE

1 ROTATION:
 STANDARD; WHEN FACING SHAFT END OF MOTOR, SHAFT TO ROTATE;
 CLOCKWISE WHEN PORT "A" IS PRESSURIZED
 SENSOR DIRECTION OUTPUT GOES LOW
 COUNTERCLOCKWISE WHEN PORT "B" IS PRESSURIZED
 SENSOR DIRECTION OUTPUT GOES HIGH

REVERSE; WHEN FACING SHAFT END OF MOTOR, SHAFT TO ROTATE;
 CLOCKWISE WHEN PORT "B" IS PRESSURIZED.
 SENSOR DIRECTION OUTPUT GOES LOW
 COUNTERCLOCKWISE WHEN PORT "A" IS PRESSURIZED
 SENSOR DIRECTION OUTPUT GOES HIGH

2 MOUNTING TYPE: AH
 STANDARD, 4 BOLT: ϕ 82.6 [3.25] PILOT
 ϕ 13.59 [535] HOLES ON ϕ 106.4 [4.19]
 BOLT CIRCLE

G S K

UNLESS OTHERWISE SPECIFIED ALL DIMENSIONS ARE IN INCHES <input type="checkbox"/> MILLIMETERS <input checked="" type="checkbox"/>		DRAWING BASED ON ANSI Y14.5M-1982	
TOLERANCES		THE REPRODUCTION, DISTRIBUTION AND UTILIZATION OF THIS DOCUMENT AS WELL AS THE COMMUNICATION OF ITS CONTENTS TO OTHER WITHOUT EXPLICIT AUTHORIZATION IS PROHIBITED. OFFENDERS WILL BE HELD LIABLE FOR THE PAYMENT OF DAMAGES. ALL RIGHT RESERVED IN THE EVENT OF THE GRANT OF A PATENT, UTILITY MODEL OR DESIGN. (PER ISO 16016)	
x ± ----	DRAWN BY/DATE AAK 10-20-04	MATERIAL/HEAT TREAT	
.xxx ± ----	CHECKED AGJ 10-20-04	TITLE	
< ± ----	UNSPECIFIED RADII ARE	2000 SERIES MOTOR INSTALL	
UNSPECIFIED DRAFT ANGLES ARE	THIRD ANGLE PROJECTION	NUMBER	
DRAWING FORMAT CADD <input checked="" type="checkbox"/> MANUAL <input type="checkbox"/>	DO NOT SCALE	A-669-028	
		SCALE 1/1 SHEET 1 OF 1	