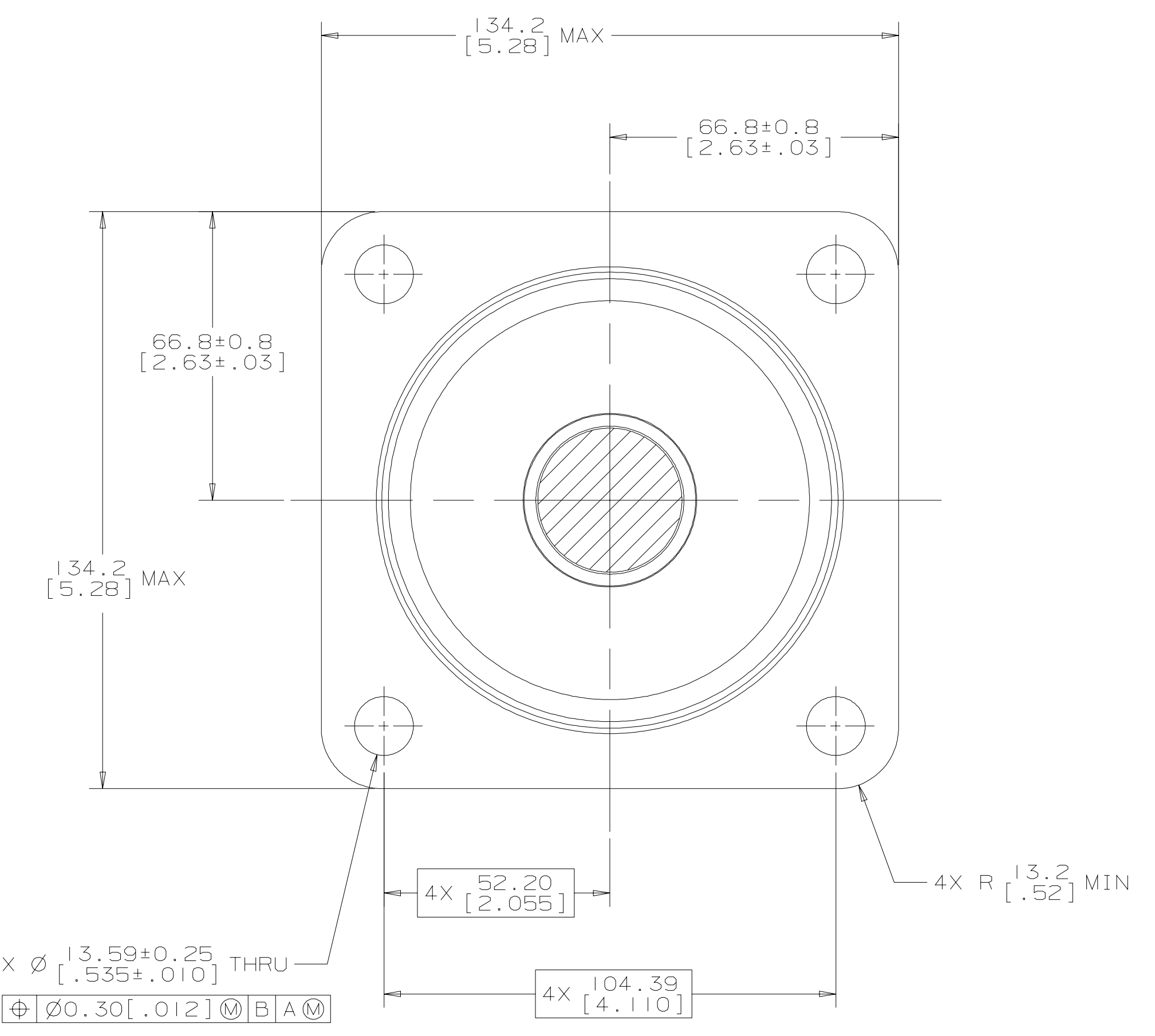
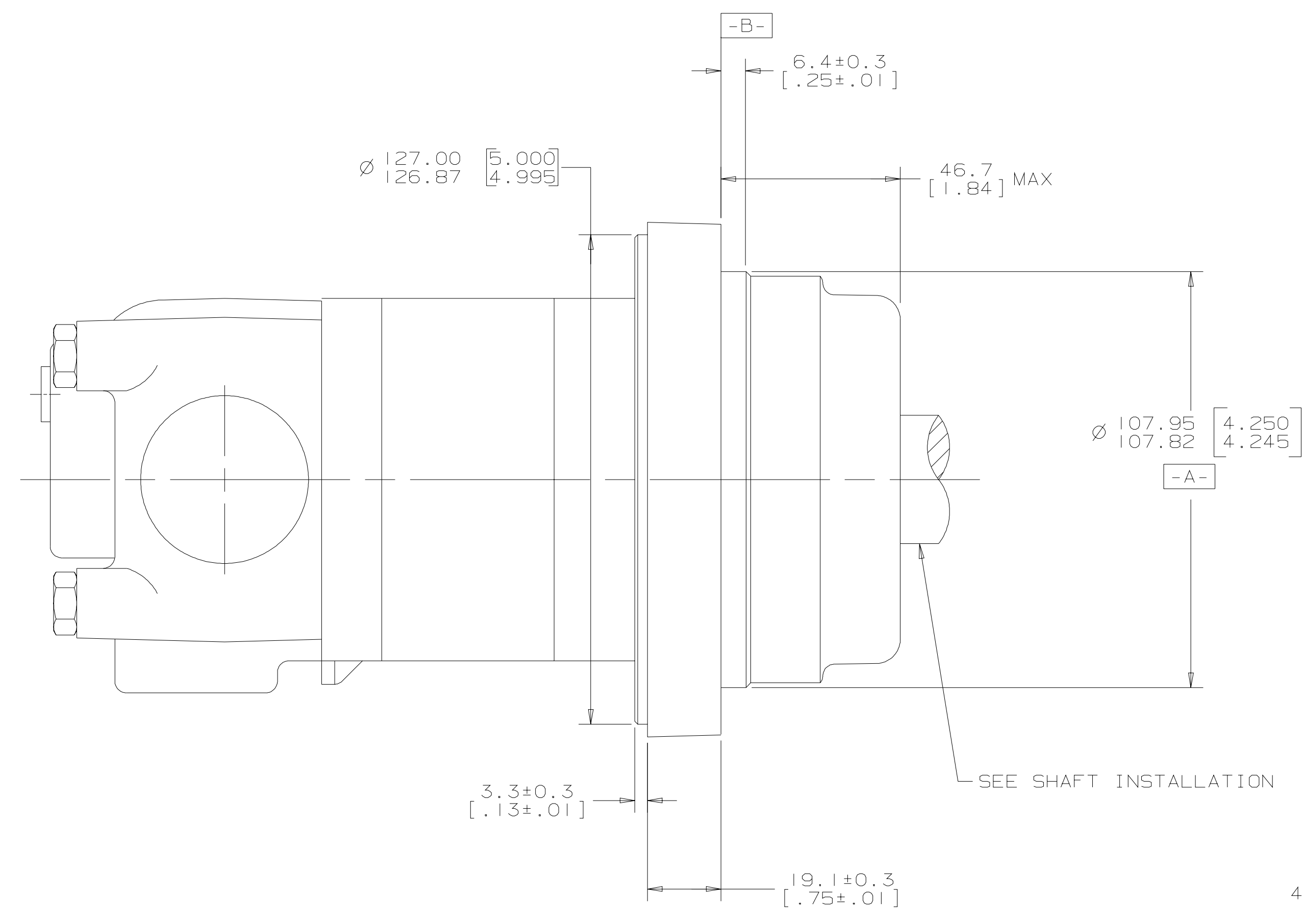
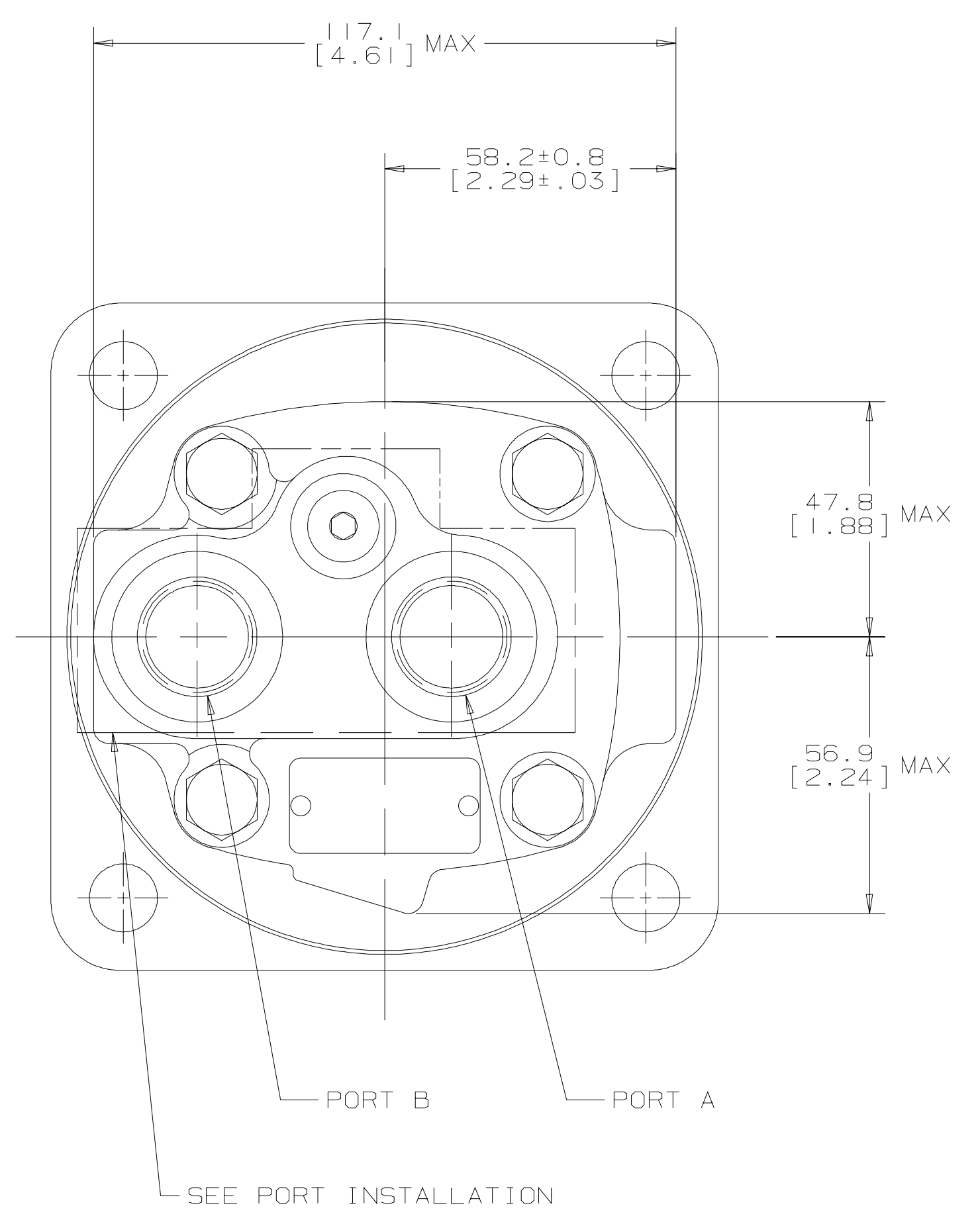


SYM	REVISION	BY	DATE	ECN
A	ENGINEERING RELEASE	AGJ	5-26-93	22833
B	-1) (4C) ADDED Ø93.0/91.4 [3.66/3.60] -2) (4C) ADDED 21.6 [.85]MAX -3) REVISED PICTORIALY	JMS	7-29-99	33164
C	(4A) NOTE 2 WAS MOUNTING TYPE: B	AGJ	5/13/02	41044
D	-1) (4C) REMOVED 93.0/91.4 [3.66/3.60] -2) (4C) REMOVED 21.6 [.85]MAX	AAK	3-2-04	46977



NOTE  
 1 ROTATION:  
 STANDARD: WHEN FACING SHAFT END OF MOTOR, SHAFT TO ROTATE;  
 CLOCKWISE WHEN PORT "A" IS PRESSURIZED  
 COUNTERCLOCKWISE WHEN PORT "B" IS PRESSURIZED  
 REVERSE: WHEN FACING SHAFT END OF MOTOR, SHAFT TO ROTATE;  
 CLOCKWISE WHEN PORT "B" IS PRESSURIZED  
 COUNTERCLOCKWISE WHEN PORT "A" IS PRESSURIZED  
 2 MOUNTING TYPE: AB  
 WHEEL, 4 BOLT: Ø 108.0 [4.25] PILOT  
 Ø 13.59 [.535] HOLES ON Ø 147.6 [5.81] BOLT CIRCLE  
 Ø 127.0 [5.00] REAR MOUNT PILOT

G K S

UNLESS OTHERWISE SPECIFIED ALL DIMENSIONS ARE IN		DRAWING BASED ON ANSI Y14.5M-1982	
INCHES <input type="checkbox"/>	MILLIMETERS <input checked="" type="checkbox"/>	THE REPRODUCTION, DISTRIBUTION, AND UTILIZATION OF THIS DOCUMENT, AS WELL AS THE COMMUNICATION OF ITS CONTENTS TO OTHERS WITHOUT EXPLICIT AUTHORIZATION IS PROHIBITED. OFFENDERS WILL BE HELD LIABLE FOR THE PAYMENT OF DAMAGES. ALL RIGHTS RESERVED IN THE EVENT OF THE GRANT OF A PATENT, UTILITY MODEL, OR DESIGN. (PER ISO 16016)	
TOLERANCES			
.XX ±REF	DRWN BY/DATE A. JOHNSON 3-18-93	MATERIAL/HEAT TREAT	
.XXX ±ONLY	CHECKED BY/DATE SDR 6-24-93	TITLE	
UNSPECIFIED RADI ARE	ENGR BY/DATE SZ 6-28-93	2000 SERIES MOTOR INSTALL	
UNSPECIFIED DRAFT ANGLES ARE	METALLURGY BY/DATE	NUMBER A-664-003	
DRAWING FORMAT CADD <input checked="" type="checkbox"/> MANUAL <input type="checkbox"/>	THIRD ANGLE PROJECTION	SCALE 1/1	SHEET 1 OF 1