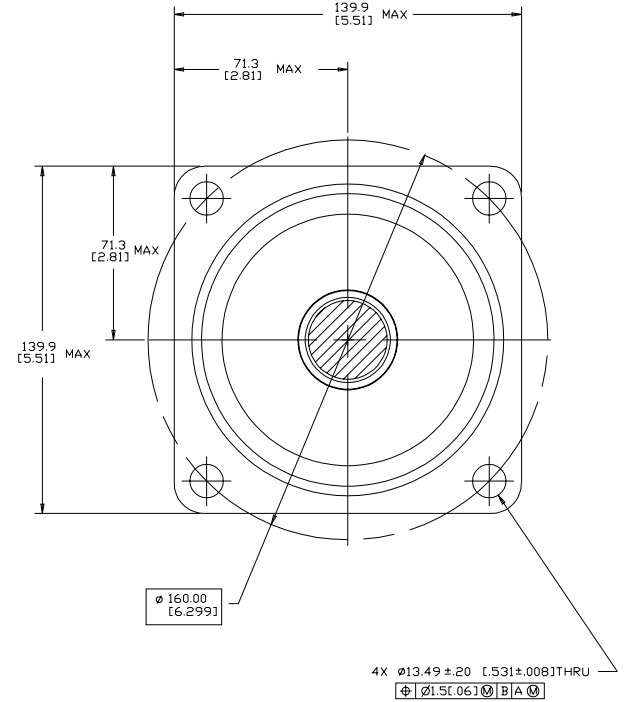
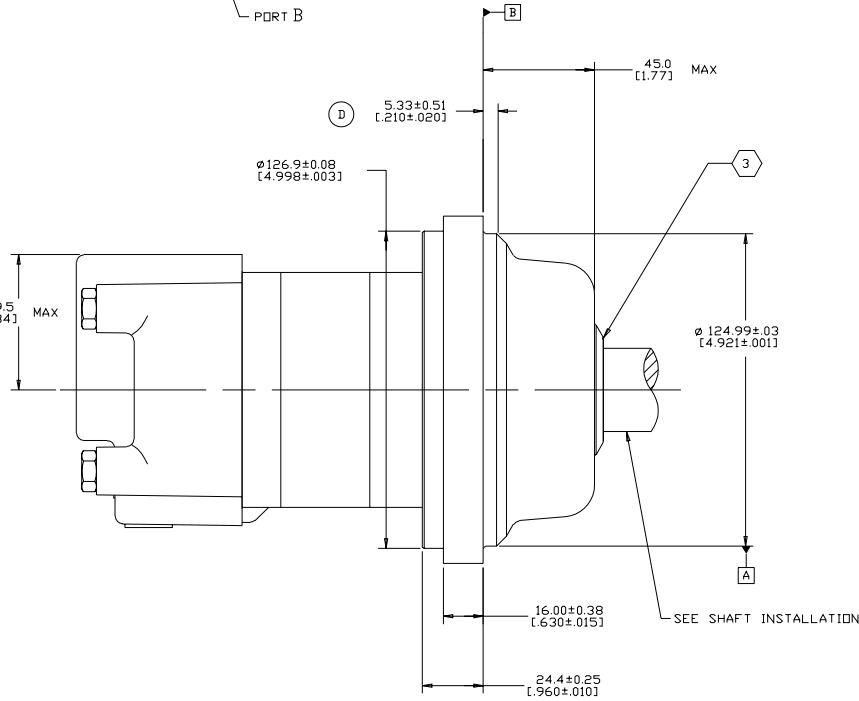
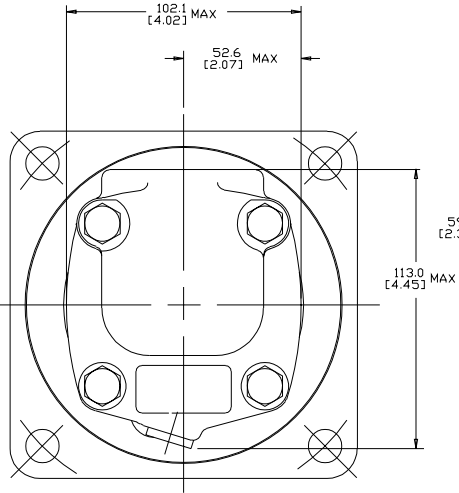
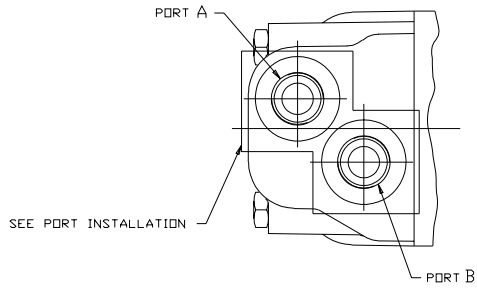


SYM	REVISION	BY	DATE	ECN
A	ENGINEERING RELEASE	AGJ	5-26-93	22833
B	-1X(A)13.49±.20 WAS 13.49±.270/-000 -2X(B)24.4±0.25 WAS 2.38±0.25	RAF	12-18-96	M16620
C	(4A)NOTE 2 WAS MOUNTING TYPE: L	AGJ	3/13/02	41044
D	(5C)WAS 5.79±0.38 [2.28±0.15]	HRK	11/25/08	CCR 13753
E	-1)REVISED AS PER STACK-UP -2)UPDATED TO ASME Y14.5-2009 STANDARD -3X(4C)ADDED NOTE 3	NRI	02/16/15	M95661



NOTE

- ROTATION:  
STANDARD: WHEN FACING SHAFT END OF MOTOR, SHAFT TO ROTATE;  
CLOCKWISE WHEN PORT "A" IS PRESSURIZED  
COUNTERCLOCKWISE WHEN PORT "B" IS PRESSURIZED  
REVERSE: WHEN FACING SHAFT END OF MOTOR, SHAFT TO ROTATE;  
CLOCKWISE WHEN PORT "B" IS PRESSURIZED  
COUNTERCLOCKWISE WHEN PORT "A" IS PRESSURIZED

- MOUNTING TYPE: AL  
WHEEL (EUROPEAN), 4 BOLT; 125.0 [4.92] Ø PILOT  
Ø13.49 [0.531] HOLES DN Ø 159.99 [6.299] BOLT CIRCLE

- APPLICABLE FOR SEAL GUARD OPTION

REVIEWED FOR CLASSIFICATION PER ESP -042

UNLESS OTHERWISE SPECIFIED ALL DIMENSIONS ARE IN		DRAWING BASED ON ASME Y14.5-2009	
INCHES	<input type="checkbox"/>	THE REPRODUCTION, DISTRIBUTION, AND UTILIZATION OF THIS DOCUMENT, AS WELL AS THE COMMUNICATION OF ITS CONTENTS TO OTHERS WITHOUT EXPLICIT AUTHORIZATION IS PROHIBITED. OFFENDERS WILL BE HELD LIABLE FOR THE PAYMENT OF DAMAGES. ALL RIGHTS RESERVED IN THE EVENT OF THE GRANT OF A PATENT, UTILITY MODEL, OR DESIGN (PER ISO 9000)	
MILLIMETERS	<input checked="" type="checkbox"/>	<i>Danfoss</i>	
TOLERANCES			
X	----		
XX + REF		MATERIAL/HEAT TREAT	
XXX + DNL Y		DRAWN BY DATE 3-22-93	
----		CHECKED BY DATE 6-28-93	
UNSPECIFIED RADI ARE		TITLE 2000 SERIES WHEEL MOTOR INSTALLATION	
UNSPECIFIED DRAFT ANGLES ARE		METALLURGY BY DATE	
----		THIRD ANGLE PROJECTION	
D SIZE		DO NOT SCALE	
		MICROFINISH NUMBER	
		DO NOT SCALE	
		SCALE 1/1	
		SHEET 1 OF 1	
		NUMBER A-672-001	