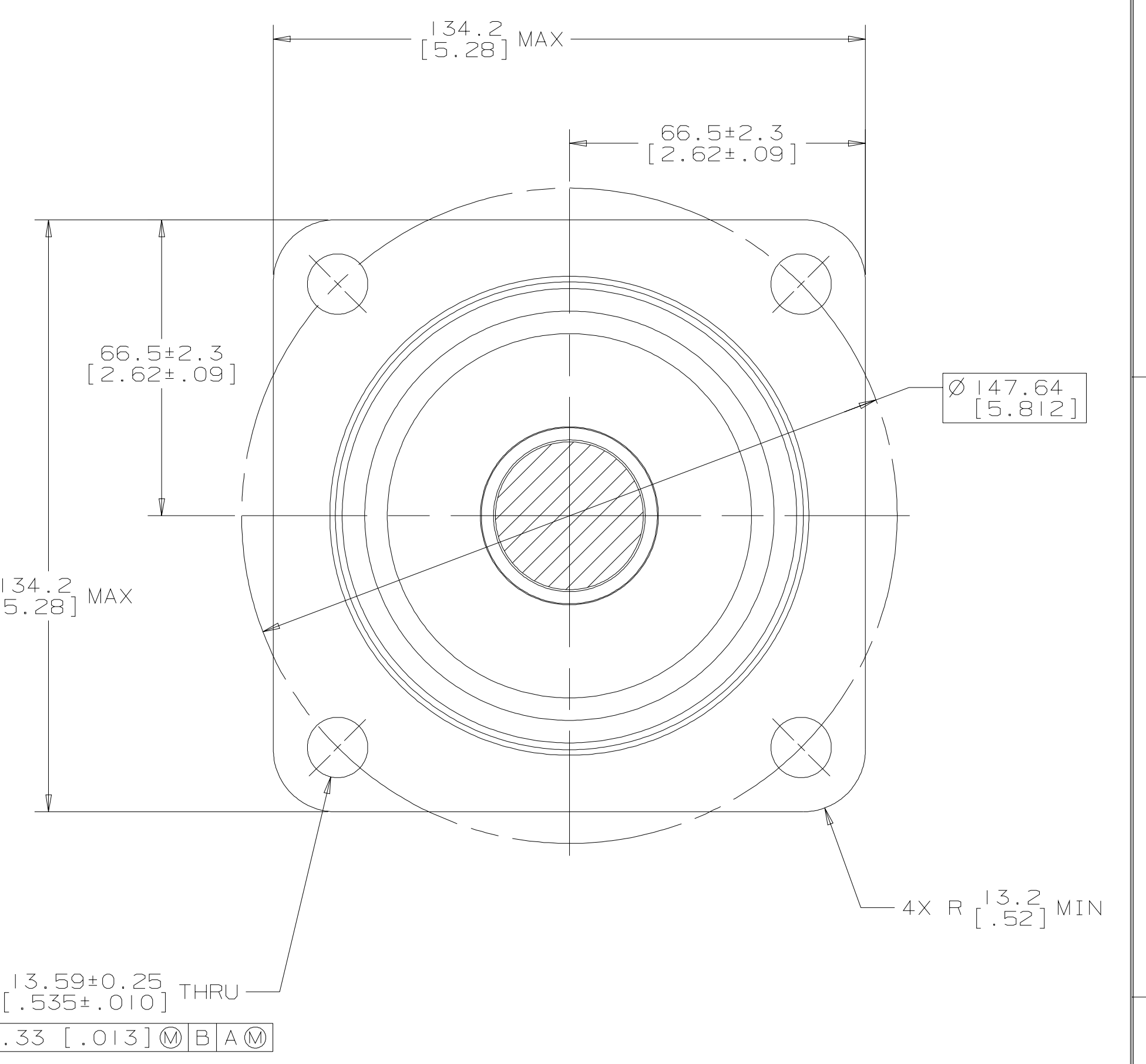
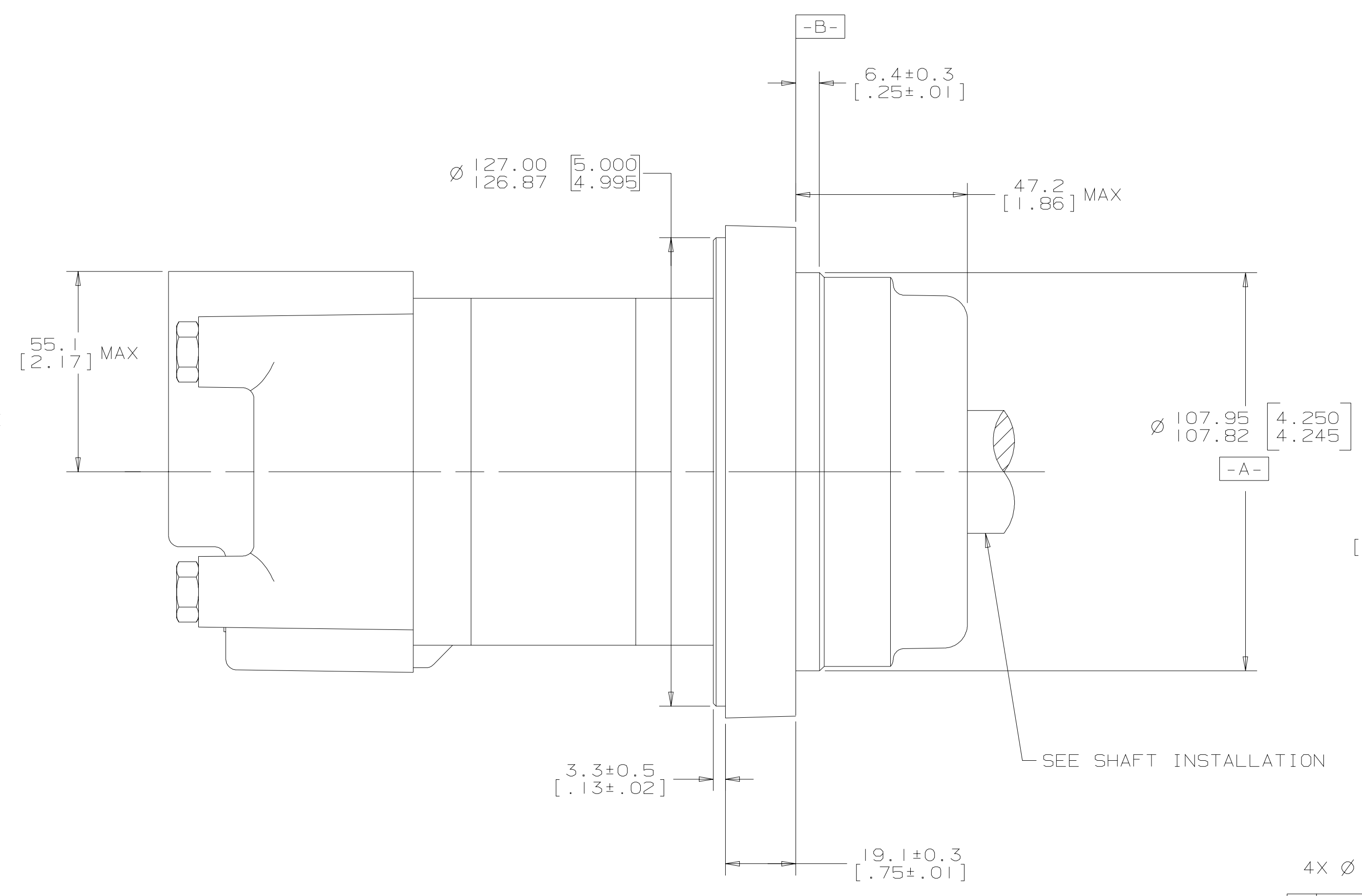
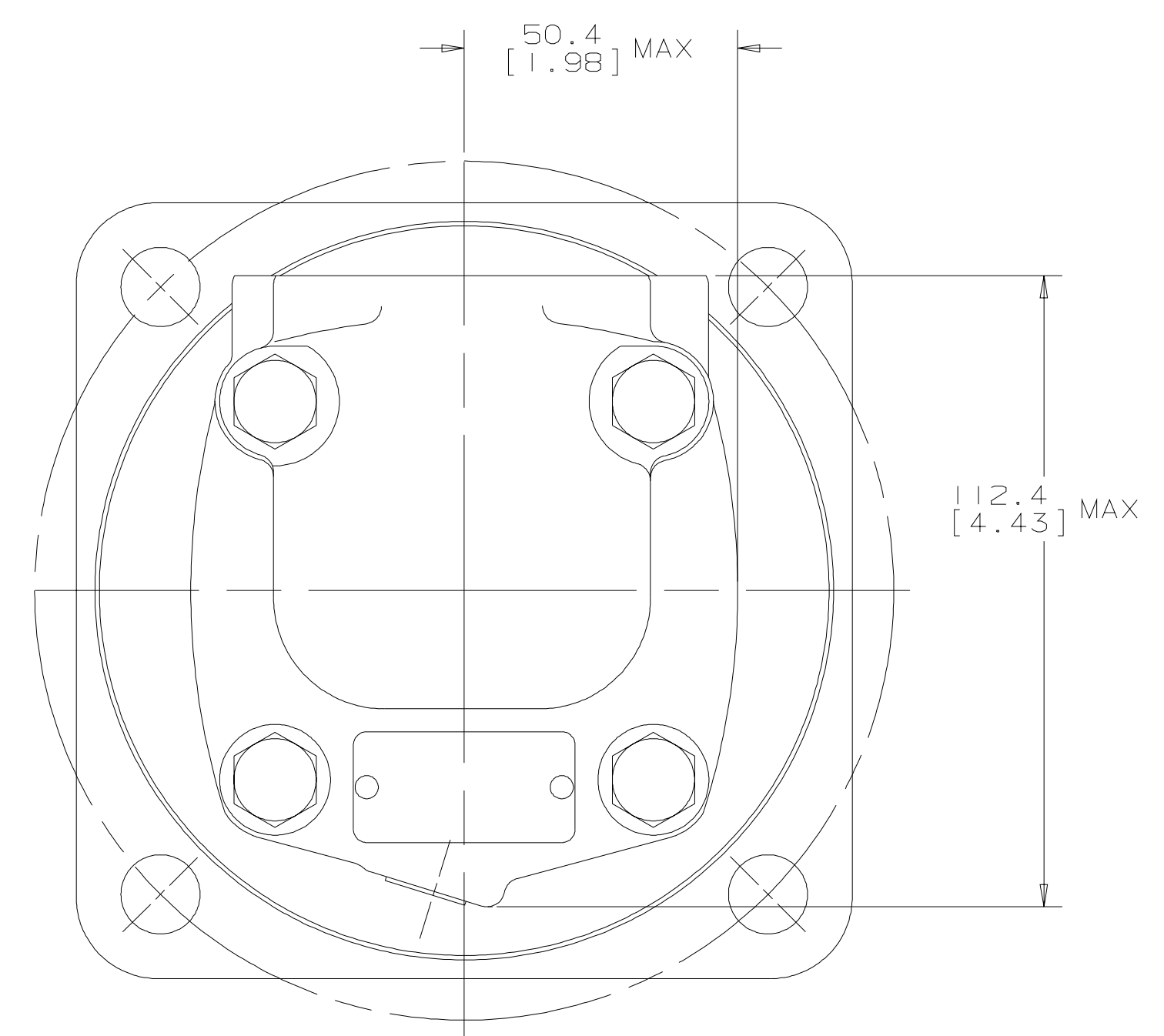
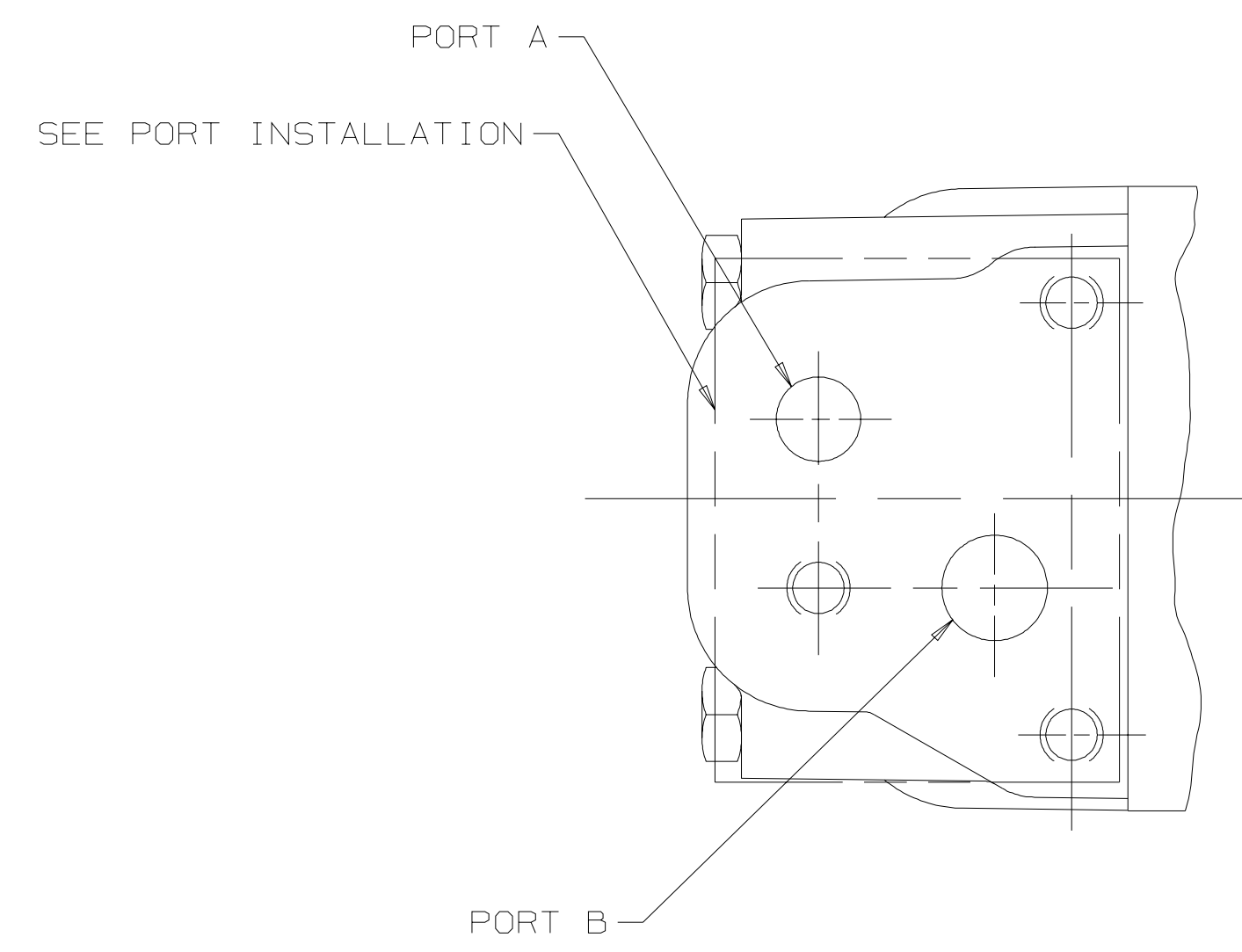


SYM	REVISION	BY	DATE	ECN
A	ENGINEERING RELEASE	AGJ	5-26-93	22833
B	-1) (4B) ADDED Ø93.0/91.4 [3.66/3.60] -2) (4C) ADDED 21.6 [.85] MAX -3) REVISED PICTORIALY	JMS	7-29-99	33164
C	(4A) NOTE 2 WAS MOUNTING TYPE: B	AGJ	5/13/02	41044
D	-1) (4B) REMOVED 93.0/91.4 [3.66/3.60] -2) (4C) REMOVED 21.6 [.85] MAX	AAK	3-2-04	46977
E	REVISED	CSG	01-25-10	M78153A



NOTE

1 ROTATION:  
 STANDARD: WHEN FACING SHAFT END OF MOTOR, SHAFT TO ROTATE; CLOCKWISE WHEN PORT "A" IS PRESSURIZED; COUNTERCLOCKWISE WHEN PORT "B" IS PRESSURIZED  
 REVERSE: WHEN FACING SHAFT END OF MOTOR, SHAFT TO ROTATE; CLOCKWISE WHEN PORT "B" IS PRESSURIZED; COUNTERCLOCKWISE WHEN PORT "A" IS PRESSURIZED

2 MOUNTING TYPE: AB  
 WHEEL, 4 BOLT: Ø 108.0 [4.25] PILOT  
 Ø 13.59 [.535] HOLES ON Ø 147.6 [5.81] BOLT CIRCLE  
 Ø 127.0 [5.00] REAR MOUNT PILOT

REVIEWED FOR CLASSIFICATION PER ESP-042

UNLESS OTHERWISE SPECIFIED ALL DIMENSIONS ARE IN		DRAWING BASED ON ANSI Y14.5M-1982	
INCHES <input type="checkbox"/>	MILLIMETERS <input checked="" type="checkbox"/>	THE REPRODUCTION, DISTRIBUTION, AND UTILIZATION OF THIS DOCUMENT, AS WELL AS THE COMMUNICATION OF ITS CONTENTS TO OTHERS WITHOUT EXPLICIT AUTHORIZATION IS PROHIBITED. OFFENDERS WILL BE HELD LIABLE FOR THE PAYMENT OF DAMAGES. ALL RIGHTS RESERVED IN THE EVENT OF THE GRANT OF A PATENT, UTILITY MODEL, OR DESIGN. (PER ISO 16016)	
TOLERANCES			
.XX ± REF	DRWN BY/DATE A. JOHNSON 6-7-93	MATERIAL/HEAT TREAT	
.XXX ± ONLY	CHEKED BY/DATE	TITLE	
UNSPECIFIED RADII ARE	ENGRG BY/DATE	2000 SERIES MOTOR INSTALL	
UNSPECIFIED DRAFT ANGLES ARE	METALLURGY BY/DATE	NUMBER A-664-005	
DRAWING FORMAT CAD <input checked="" type="checkbox"/> MANUAL <input type="checkbox"/>	THIRD ANGLE PROJECTION	SCALE 1/1 SHEET 1 OF 1	