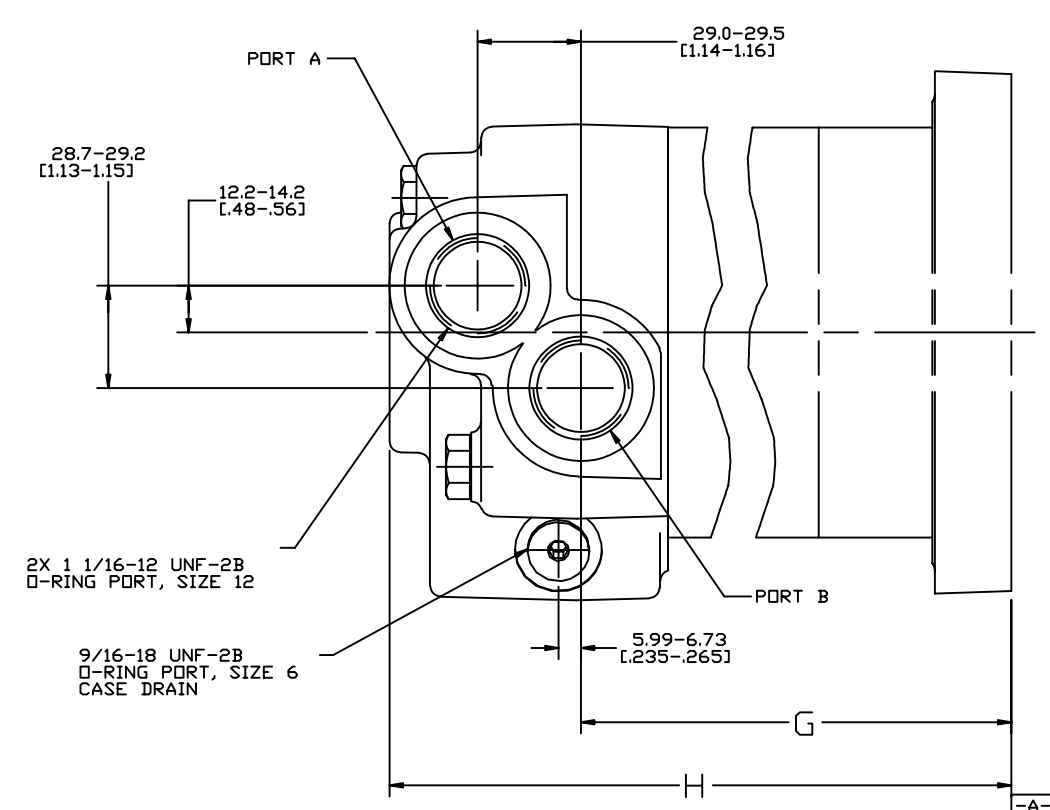
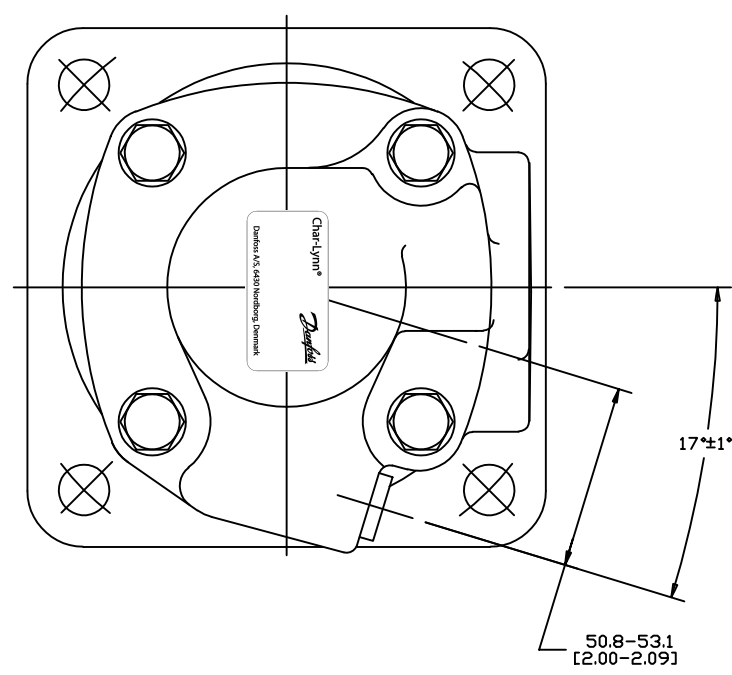


8			7			6			5			4			3			2			1		
MOUNTING TYPE AA & AG			MOUNTING TYPE AB & AM			MOUNTING TYPE AC & AD			MOUNTING TYPE AE			MOUNTING TYPE AF			REV	DESCRIPTION			BY	CHK	DATE	ECN	
DISP	G	H MAX	DISP	G	H MAX	DISP	G	H MAX	DISP	G	H MAX	DISP	G	H MAX									
067	90.6-91.5 (3.57-3.60)	146.8 (5.78)	067	157.6-159.1 (6.20-6.26)	214.4 (8.44)	067	86.9-88.0 (3.42-3.47)	143.3 (5.64)	067	138.5-140.4 (5.45-5.53)	195.6 (7.70)	067	161.7-163.3 (6.37-6.43)	218.6 (8.61)	A	ENGINEERING RELEASE			LK		2-8-92	21551	
080	94.6-95.6 (3.73-3.76)	150.8 (5.94)	080	161.6-163.1 (6.36-6.42)	218.4 (8.60)	080	91.0-92.2 (3.58-3.63)	147.3 (5.80)	080	142.5-144.5 (5.61-5.69)	199.6 (7.86)	080	165.8-167.4 (6.53-6.59)	222.7 (8.77)	C	REVISED			JMM		9-8-94	M12407	
099	101.0-101.9 (3.98-4.01)	157.1 (6.19)	099	167.9-169.5 (6.61-6.67)	224.7 (8.85)	099	97.3-98.4 (3.83-3.87)	153.6 (6.05)	099	148.8-150.7 (5.86-5.93)	206.0 (8.11)	099	172.1-173.7 (6.78-6.84)	229.0 (9.01)	D	ADDED LEFT HAND VIEW			AGJ		11-22-98	27499	
125	109.5-110.4 (4.31-4.35)	165.7 (6.52)	125	176.5-178.0 (6.95-7.01)	233.2 (9.18)	125	105.8-106.9 (4.17-4.21)	162.3 (6.39)	125	157.2-159.3 (6.19-6.27)	214.6 (8.45)	125	180.6-182.2 (7.11-7.18)	237.5 (9.35)	E	REVISED PICTORIALY			RAF		2-5-97	29191	
150	101.0-101.9 (3.98-4.01)	157.1 (6.19)	150	167.9-169.5 (6.61-6.67)	224.7 (8.85)	150	97.3-98.4 (3.83-3.87)	153.6 (6.05)	150	148.8-150.7 (5.86-5.93)	206.0 (8.11)	150	172.1-173.7 (6.78-6.84)	229.0 (9.01)	F	REVISED TABULATION BLOCKS			AGJ		5-17-04	47918	
171	105.4-106.3 (4.15-4.18)	161.5 (6.36)	171	172.5-174.0 (6.79-6.85)	229.1 (9.02)	171	101.7-102.8 (4.00-4.05)	158.0 (6.22)	171	153.2-155.1 (6.03-6.11)	210.3 (8.28)	171	176.5-178.1 (6.95-7.01)	233.3 (9.19)	G	-1>(1A)PORT OPTION WAS "B" -2>ADDED CASE FLOW OPTION "01" -3>UPDATED DISP VALUES AND MOUNTING TYPE IN THE TABLE			AMM		1-24-07	0002527	
190	109.5-110.4 (4.31-4.35)	165.7 (6.52)	190	176.5-178.0 (6.95-7.01)	233.2 (9.18)	190	105.8-106.9 (4.17-4.21)	162.3 (6.39)	190	157.2-159.3 (6.19-6.27)	214.6 (8.45)	190	180.6-182.2 (7.11-7.18)	237.5 (9.35)	H	-1>(5B)WAS 51.8-52.3 (2.04-2.06) -2>(4C)WAS 13.08-13.34 (.515-.525) -3>(5B)REMOVED 15.52-16.88 (.615-.625) -4>(5C)ADDED 28.7-29.2 (1.13-1.15)			SMT	SKS	02-10-10	22583	
240	120.2-121.1 (4.73-4.77)	176.3 (6.94)	240	187.1-188.7 (7.37-7.43)	243.9 (9.60)	240	116.5-117.6 (4.59-4.63)	173.0 (6.81)	240	167.9-169.9 (6.61-6.69)	225.3 (8.87)	240	191.3-192.9 (7.53-7.60)	248.2 (9.77)	J	<2B> ADDED CASE FLOW OPTION "00"			SSS	BP	03-22-18	M107406	
301	133.0-134.0 (5.24-5.28)	189.2 (7.45)	301	199.9-201.6 (7.87-7.94)	256.8 (10.11)	301	129.3-130.5 (5.09-5.14)	185.8 (7.31)	301	180.8-182.8 (7.12-7.20)	238.0 (9.37)	301	204.1-205.8 (8.04-8.10)	261.1 (10.28)									
342	141.7-142.7 (5.58-5.62)	198.1 (7.80)	342	208.8-210.3 (8.22-8.28)	265.7 (10.46)	342	138.2-139.2 (5.44-5.48)	194.6 (7.66)	342	189.5-191.5 (7.46-7.54)	246.9 (9.72)	342	212.8-214.6 (8.38-8.45)	269.7 (10.62)									
381	150.0-151.1 (5.91-5.95)	206.3 (8.12)	381	217.0-218.6 (8.54-8.61)	273.9 (10.78)	381	146.4-147.6 (5.76-5.81)	202.9 (7.99)	381	197.9-199.9 (7.79-7.87)	255.3 (10.05)	381	221.2-222.9 (8.71-8.78)	278.1 (10.95)									
MOUNTING TYPE AH																							
DISP	G	H MAX																					
067	136.9-138.2 (5.39-5.44)	193.5 (7.62)																					
080	141.0-142.2 (5.55-5.60)	197.6 (7.78)																					
099	147.3-148.6 (5.80-5.85)	204.0 (8.03)																					
125	155.7-157.2 (6.13-6.19)	212.3 (8.36)																					
150	147.3-148.6 (5.80-5.85)	204.0 (8.03)																					
171	151.6-152.9 (5.97-6.02)	208.3 (8.20)																					
190	155.7-157.2 (6.13-6.19)	212.3 (8.36)																					
240	166.4-167.9 (6.55-6.61)	223.0 (8.78)																					
301	179.3-180.8 (7.06-7.12)	236.0 (9.29)																					
342	188.0-189.5 (7.40-7.46)	244.8 (9.64)																					
381	196.3-197.9 (7.73-7.79)	253.0 (9.96)																					



NOTES
 (J) 1 PORTS - OPTION AB
 2 CASE FLOW - OPTION 01 OR 00

UNLESS OTHERWISE SPECIFIED ALL DIMENSIONS ARE IN INCHES <input type="checkbox"/> MILLIMETERS <input checked="" type="checkbox"/>		DRAWING BASED ON ANSI Y14.5M-1982	
TOLERANCES XX ± REF XXX ± ONLY /		THE REPRODUCTION, DISTRIBUTION, AND UTILIZATION OF THIS DOCUMENT, AS WELL AS THE COMMUNICATION OF ITS CONTENTS TO OTHERS WITHOUT EXPLICIT AUTHORIZATION IS PROHIBITED. OFFENDERS WILL BE HELD LIABLE FOR THE PAYMENT OF DAMAGES. ALL RIGHTS RESERVED IN THE EVENT OF THE GRANT OF A PATENT, UTILITY MODEL, OR DESIGN. (PER ISO 18189)	
UNSPECIFIED RADIUS ARE ---		DRAWN BY/DATE LK 5-16-92 MATERIAL/HEAT TREAT	
UNSPECIFIED DRAFT ANGLES ARE ---		CHECKED BY/DATE KJR 7-28-92	
DRAWING FORMAT CADD (D) MANUAL (1)		ENGINEER BY/DATE RVA 7-31-92 TITLE 4000 SERIES MOTOR PORT INSTALLATION	
THIRD ANGLE PROJECTION		METALLURGY BY/DATE	
DO NOT SCALE		MATERIAL/HEAT TREAT	
ARTHWELD AVERAGE		NUMBER A-556-007	
SCALE 1/1		SHEET 1 OF 1	