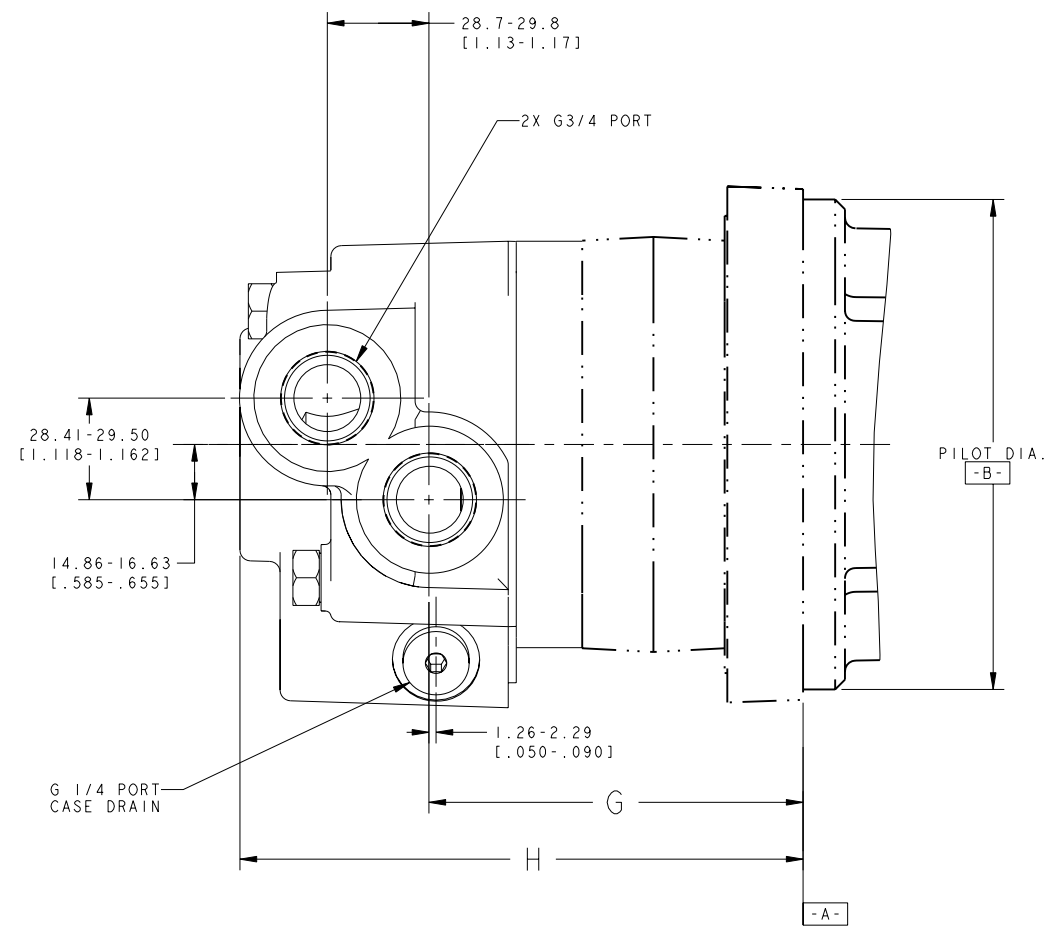
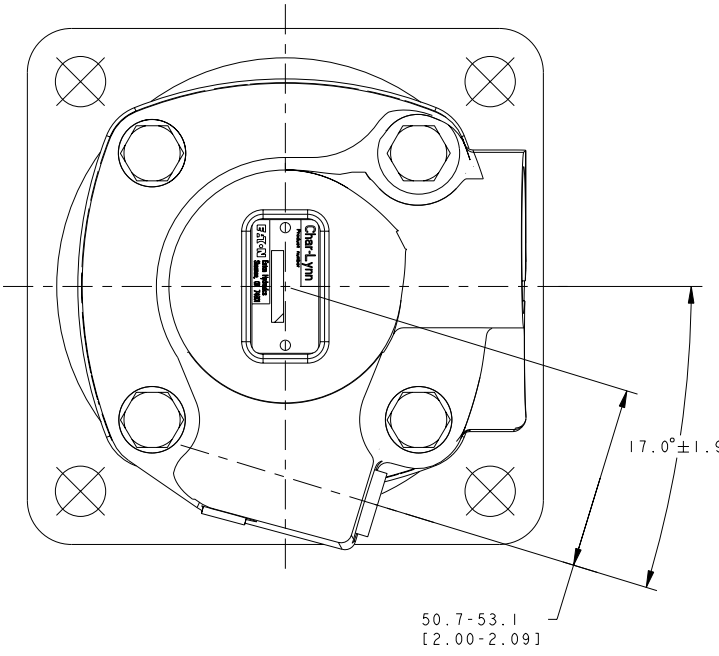


8			7			6			5			4			3			2			1			
MOUNTING TYPE AA & AG			MOUNTING TYPE AB & AM			MOUNTING TYPE AC & AD			MOUNTING TYPE AF			MOUNTING TYPE AH												
DISP	G	H MAX	DISP	G	H MAX	DISP	G	H MAX	DISP	G	H MAX	DISP	G	H MAX	DISP	G	H MAX	DISP	G	H MAX	DISP	G	H MAX	
067	90.5-91.6 [3.56-3.61]	146.8 [5.78]	067	157.5-159.2 [6.20-6.27]	214.4 [8.44]	067	86.8-88.1 [3.42-3.47]	143.3 [5.64]	067	161.7-163.4 [6.36-6.43]	218.6 [8.61]	067	136.8-138.3 [5.39-5.45]	193.5 [7.62]										
080	94.6-95.6 [3.72-3.76]	150.8 [5.94]	080	161.5-163.2 [6.36-6.43]	218.4 [8.60]	080	90.9-92.1 [3.58-3.63]	147.3 [5.80]	080	165.7-167.5 [6.52-6.59]	222.6 [8.77]	080	140.8-142.4 [5.55-5.60]	197.5 [7.78]										
099	100.9-102.0 [3.97-4.01]	157.1 [6.19]	099	167.9-169.5 [6.61-6.67]	224.7 [8.85]	099	97.2-98.5 [3.83-3.88]	153.6 [6.05]	099	172.0-173.8 [6.77-6.84]	229.0 [9.01]	099	147.2-148.7 [5.79-5.85]	203.9 [8.03]										
125	109.4-110.5 [4.31-4.35]	165.7 [6.52]	125	176.4-178.1 [6.95-7.01]	233.2 [9.18]	125	105.7-107.0 [4.16-4.21]	162.2 [6.39]	125	180.5-182.3 [7.11-7.18]	237.5 [9.35]	125	155.7-157.2 [6.13-6.19]	212.4 [8.36]										
150	100.9-102.0 [3.97-4.01]	157.1 [6.19]	150	167.9-169.5 [6.61-6.67]	224.7 [8.85]	150	97.2-98.5 [3.83-3.88]	153.6 [6.05]	150	172.0-173.8 [6.77-6.84]	229.0 [9.01]	150	147.2-148.7 [5.79-5.85]	203.9 [8.03]										
171	105.3-106.3 [4.15-4.19]	161.5 [6.36]	171	172.3-173.9 [6.78-6.85]	229.1 [9.02]	171	101.6-102.9 [4.00-4.05]	158.0 [6.22]	171	176.4-178.2 [6.95-7.01]	233.3 [9.19]	171	151.6-153.1 [5.97-6.03]	208.3 [8.20]										
190	109.4-110.5 [4.31-4.35]	165.7 [6.52]	190	176.4-178.1 [6.95-7.01]	233.2 [9.18]	190	105.7-107.0 [4.16-4.21]	162.2 [6.39]	190	180.5-182.3 [7.11-7.18]	237.5 [9.35]	190	155.7-157.2 [6.13-6.19]	212.4 [8.36]										
240	120.1-121.2 [4.73-4.77]	176.3 [6.94]	240	187.1-188.7 [7.37-7.43]	243.9 [9.60]	240	116.4-117.7 [4.58-4.63]	172.8 [6.81]	240	191.2-193.0 [7.53-7.60]	248.2 [9.77]	240	166.4-167.9 [6.55-6.61]	223.1 [8.78]										
301	132.9-134.0 [5.23-5.28]	189.2 [7.45]	301	199.9-201.6 [7.87-7.94]	256.8 [10.11]	301	129.3-130.5 [5.09-5.14]	185.7 [7.31]	301	204.0-205.9 [8.03-8.10]	261.0 [10.28]	301	179.2-180.7 [7.06-7.12]	235.9 [9.29]										
342	141.7-142.8 [5.58-5.62]	198.0 [7.79]	342	208.7-210.4 [8.22-8.28]	265.6 [10.46]	342	138.1-139.3 [5.44-5.48]	194.5 [7.66]	342	212.8-214.6 [8.38-8.45]	269.8 [10.62]	342	188.0-189.5 [7.40-7.46]	244.7 [9.63]										
381	150.0-151.1 [5.91-5.95]	206.2 [8.12]	381	217.0-218.7 [8.54-8.61]	273.8 [10.78]	381	146.3-147.6 [5.76-5.81]	202.8 [7.98]	381	221.1-222.9 [8.71-8.78]	278.1 [10.95]	381	196.3-197.8 [7.73-7.79]	253.0 [9.96]										

REV	DESCRIPTION	BY	CHK	DATE	ECN / MPS
A	ENGINEERING RELEASE	LK		02-08-92	21551
J	REVISED AND REDRAWN TO PRO-E	PRK	SDM	04-11-03	ECR16450
K	-1)(4B) WAS 17.0°±1.8° -2)(4B) WAS 49.4-54.4 [1.95-2.14] -3)(3B) WAS 13.37-18.13 [0.526-.714] -4)(3C) WAS 28.56-29.35 [1.124-1.156] -5)(2C) WAS 28.8-29.6 [1.13-1.17]	PRK	AMM	05-21-09	M76013



NOTES  
 1 PORTS - OPTION AC  
 2 CASE FLOW - OPTION 03

REVIEWED FOR CLASSIFICATION PER ESP-042

UNLESS OTHERWISE SPECIFIED ALL DIMENSIONS ARE IN INCHES

MILLIMETERS [INCHES]

TOLERANCES  
 .X ± ---  
 .XX ± REF  
 .XXX ± ONLY  
 < ± ---

UNSPECIFIED RADII ARE: ---  
 METALLURGY ---  
 UNSPECIFIED DRAFT ANGLES ARE: ---°

D SIZE DO NOT SCALE

DRAWING BASED ON ANSI Y14.5M-1982

EATON CORPORATION - CONFIDENTIAL AND PROPRIETARY

NOTICE TO PERSONS RECEIVING THIS DRAWING: THIS DOCUMENT AND THE INFORMATION CONTAINED THEREIN IS CONFIDENTIAL AND IS THE EXCLUSIVE PROPERTY OF EATON CORPORATION AND IS NOT TO BE REPRODUCED OR DISCLOSED IN ANY MANNER WITHOUT THE WRITTEN PERMISSION OF EATON CORPORATION. ANY UNAUTHORIZED REPRODUCTION OR DISCLOSURE OF THIS DOCUMENT IS STRICTLY PROHIBITED. THIS NOTICE SHALL CONSTITUTE NOTICE TO ANY PERSON RECEIVING THIS DRAWING.

EATON  
 Powering Business Worldwide  
 Eaton Hydraulics Inc.  
 14615 Lone Oak Road  
 Eden Prairie, MN 55344  
 USA

DRAWN LJK BY/DATE 05-09-92  
 CHECKED RJR BY/DATE 07-28-92  
 ENGRG RVA BY/DATE 07-31-92  
 METALLURGY --- BY/DATE ---

MATERIAL/HEAT TREAT

TITLE  
 4000 SERIES MOTOR PORT INSTALL.

NUMBER  
 A-556-003

SCALE 1/1 SHEET 1 OF 1