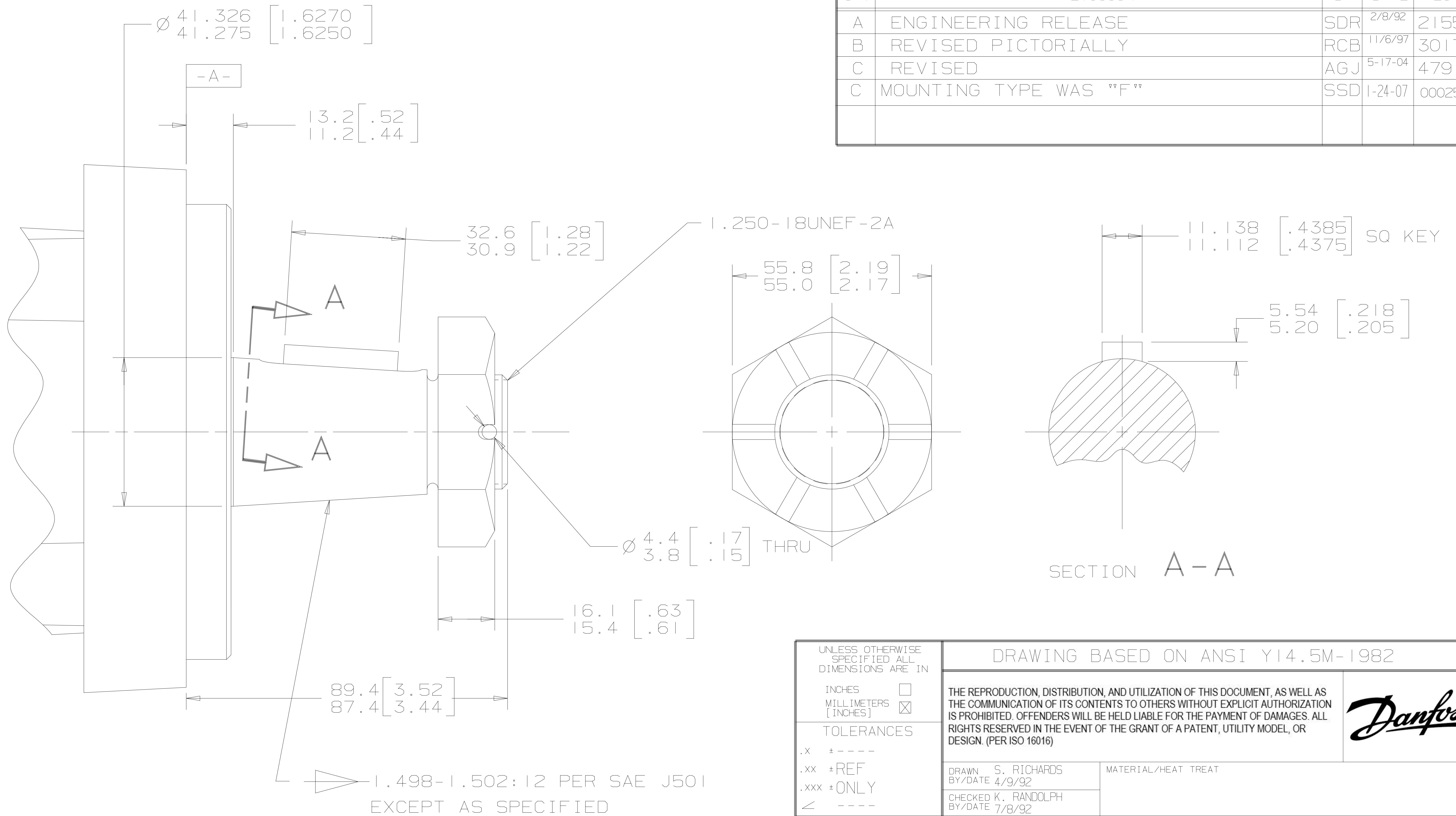


SYM	REVISION	BY	DATE	ECN
A	ENGINEERING RELEASE	SDR	2/8/92	21551
B	REVISED PICTORIALLY	RCB	11/6/97	30171
C	REVISED	AGJ	5-17-04	47918
C	MOUNTING TYPE WAS "F"	SSD	1-24-07	0002527



NOTE

- 1 MOUNTING TYPE: OPTION AF
- 2 OUTPUT SHAFT: OPTION O2

UNLESS OTHERWISE SPECIFIED ALL DIMENSIONS ARE IN		DRAWING BASED ON ANSI Y14.5M-1982	
INCHES <input type="checkbox"/>	MILLIMETERS [INCHES] <input checked="" type="checkbox"/>	THE REPRODUCTION, DISTRIBUTION, AND UTILIZATION OF THIS DOCUMENT, AS WELL AS THE COMMUNICATION OF ITS CONTENTS TO OTHERS WITHOUT EXPLICIT AUTHORIZATION IS PROHIBITED. OFFENDERS WILL BE HELD LIABLE FOR THE PAYMENT OF DAMAGES. ALL RIGHTS RESERVED IN THE EVENT OF THE GRANT OF A PATENT, UTILITY MODEL, OR DESIGN. (PER ISO 16016)	
TOLERANCES			
.X	±----		
.XX	±REF	DRAWN S. RICHARDS BY/DATE 4/9/92	MATERIAL/HEAT TREAT
.XXX	±ONLY	CHECKED K. RANDOLPH BY/DATE 7/8/92	TITLE 4000 SERIES MOTOR SHAFT INSTALLATION
<	----	ENGRG R. ANDERSON BY/DATE 7/31/92	
UNSPECIFIED RADII ARE		METALLURGY BY/DATE	NUMBER A-609-002
UNSPECIFIED DRAFT ANGLES ARE		 THIRD ANGLE PROJECTION	<input checked="" type="checkbox"/> MICROINCHES <input type="checkbox"/> MICROMETERS [MICROINCHES]
DRAWING FORMAT CADD <input checked="" type="checkbox"/> MANUAL <input type="checkbox"/>		DO NOT SCALE	<input checked="" type="checkbox"/> ARITHMETICAL AVERAGE SCALE 1/1 SHEET 1 OF 1