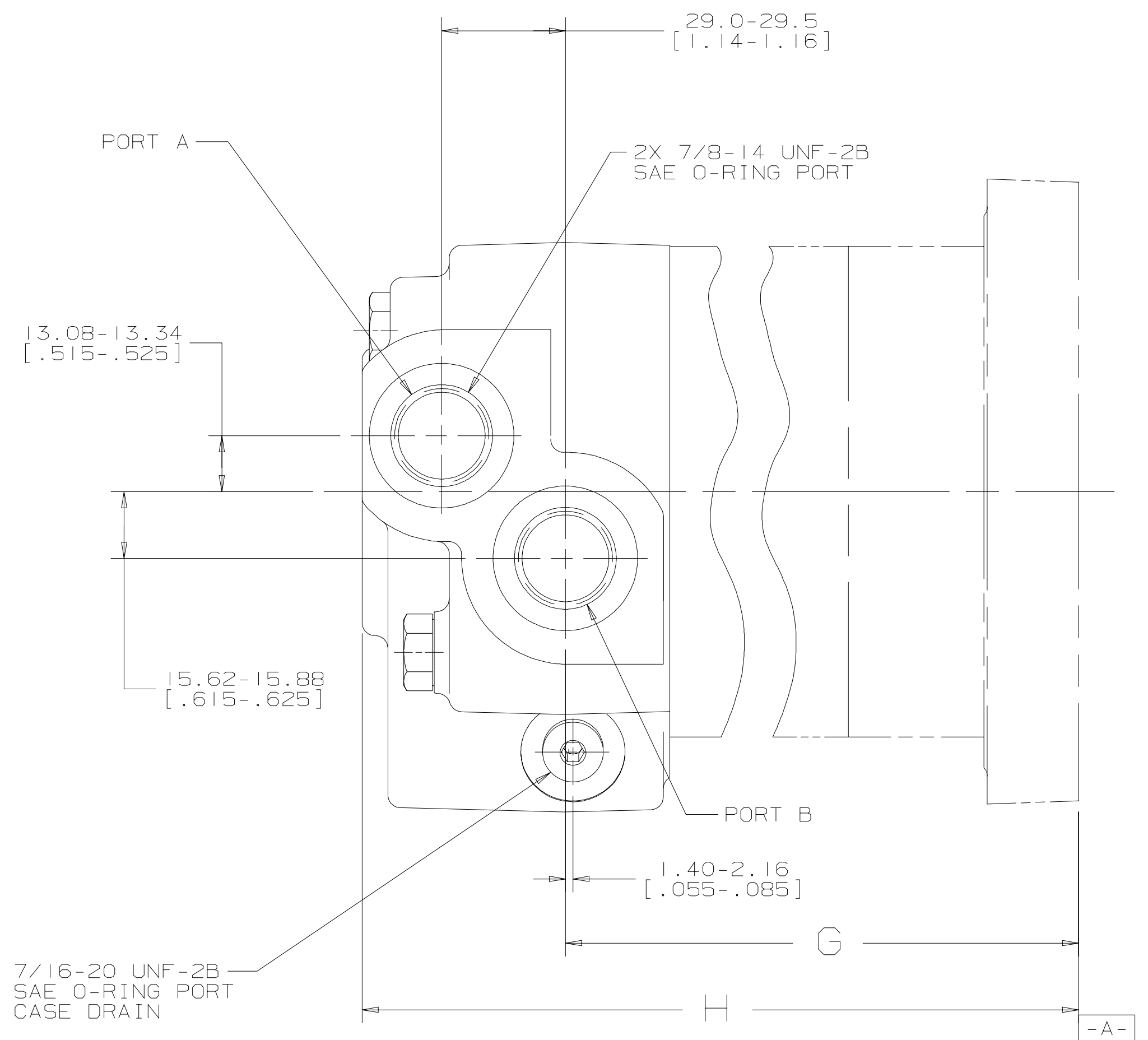
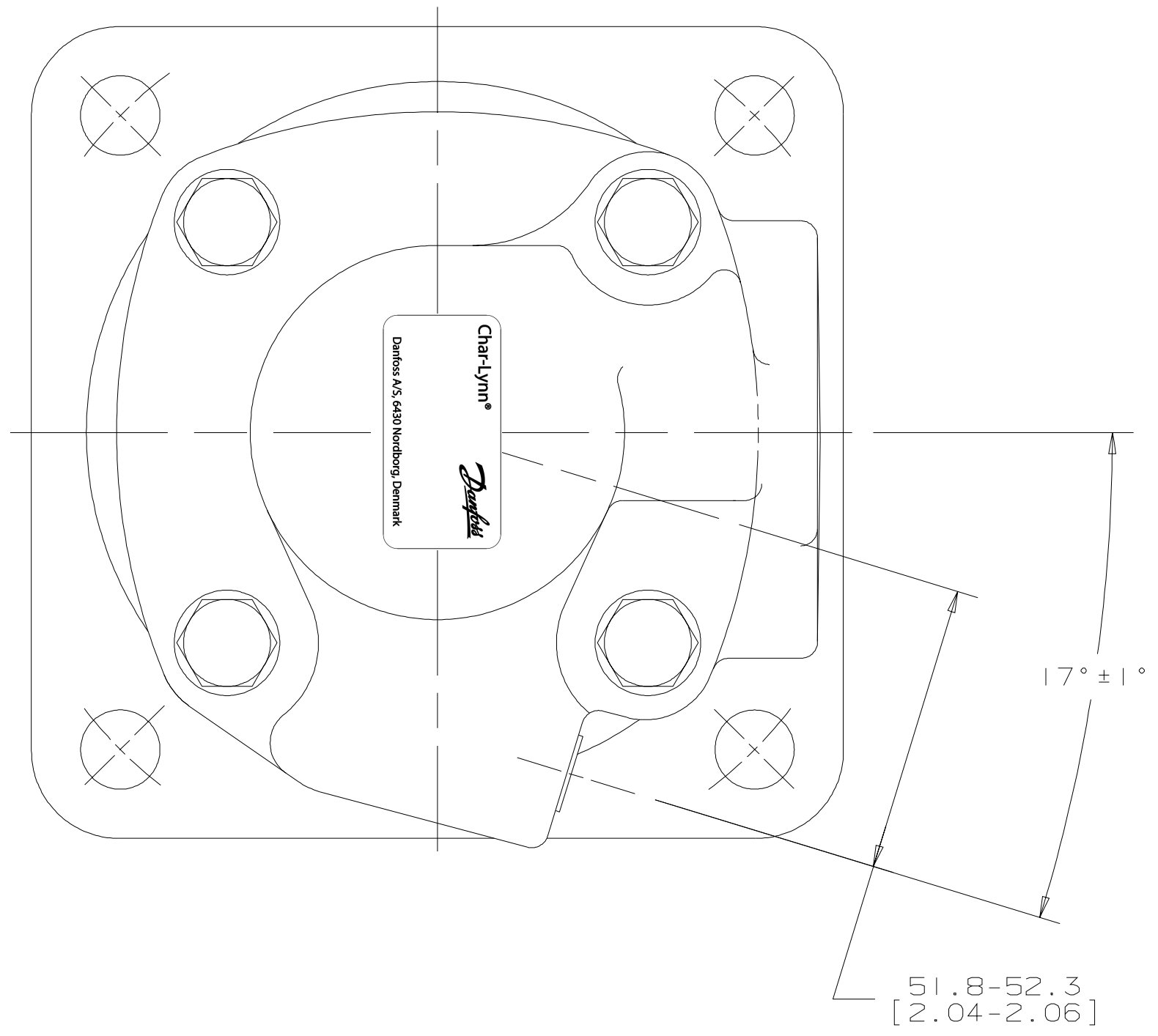


MOUNTING TYPE AA			MOUNTING TYPE AB OR AM			MOUNTING TYPE AC OR AD			MOUNTING TYPE AE			MOUNTING TYPE AF OR AJ		
DISP	G	H MAX	DISP	G	H MAX	DISP	G	H MAX	DISP	G	H MAX	DISP	G	H MAX
067	90.6-91.5 [3.57-3.60]	139.9 [5.51]	067	157.6-159.1 [6.20-6.26]	207.5 [8.17]	067	86.9-88.0 [3.42-3.47]	136.4 [5.37]	067	138.5-140.4 [5.45-5.53]	188.7 [7.43]	067	161.7-163.3 [6.37-6.43]	211.7 [8.34]
080	94.6-95.6 [3.73-3.76]	143.9 [5.67]	080	161.6-163.1 [6.36-6.42]	211.5 [8.33]	080	91.0-92.1 [3.58-3.62]	140.5 [5.53]	080	142.5-144.4 [5.61-5.68]	192.8 [7.59]	080	165.8-167.4 [6.53-6.59]	215.8 [8.50]
099	101.0-101.9 [3.98-4.01]	150.3 [5.92]	099	167.9-169.5 [6.61-6.67]	217.9 [8.58]	099	97.3-98.4 [3.83-3.87]	146.8 [5.78]	099	148.8-150.7 [5.86-5.93]	199.1 [7.84]	099	172.1-173.7 [6.78-6.84]	222.1 [8.74]
125	109.5-110.4 [4.31-4.35]	158.8 [6.25]	125	176.5-178.0 [6.95-7.01]	226.4 [8.91]	125	105.8-106.9 [4.17-4.21]	155.3 [6.12]	125	157.2-159.3 [6.19-6.27]	207.6 [8.18]	125	180.6-182.2 [7.11-7.18]	230.6 [9.08]
150	101.0-101.9 [3.98-4.01]	150.3 [5.92]	150	167.9-169.5 [6.61-6.67]	217.9 [8.58]	150	97.3-98.4 [3.83-3.87]	146.8 [5.78]	150	148.8-150.7 [5.86-5.93]	199.1 [7.84]	150	172.1-173.7 [6.78-6.84]	222.1 [8.74]
171	105.4-106.3 [4.15-4.18]	154.7 [6.09]	171	172.5-174.0 [6.79-6.85]	222.2 [8.75]	171	101.7-102.8 [4.00-4.05]	151.2 [5.95]	171	153.2-155.1 [6.03-6.11]	203.5 [8.01]	171	176.5-178.1 [6.95-7.01]	226.5 [8.92]
190	109.5-110.4 [4.31-4.35]	158.8 [6.25]	190	176.5-178.0 [6.95-7.01]	226.4 [8.91]	190	105.8-106.9 [4.17-4.21]	155.3 [6.12]	190	157.2-159.3 [6.19-6.27]	207.6 [8.18]	190	180.6-182.2 [7.11-7.18]	230.6 [9.08]
240	120.2-121.1 [4.73-4.77]	169.5 [6.67]	240	187.1-188.7 [7.37-7.43]	237.1 [9.33]	240	116.5-117.6 [4.59-4.63]	166.0 [6.54]	240	167.9-169.9 [6.61-6.69]	218.3 [8.60]	240	191.3-192.9 [7.53-7.60]	241.3 [9.50]
301	133.0-134.0 [5.24-5.28]	182.4 [7.18]	301	199.9-201.6 [7.87-7.94]	250.0 [9.84]	301	129.3-130.5 [5.09-5.14]	178.9 [7.04]	301	180.8-182.8 [7.12-7.20]	231.2 [9.10]	301	204.1-205.8 [8.04-8.10]	254.2 [10.01]
381	150.0-151.1 [5.91-5.95]	199.4 [7.85]	381	217.0-218.6 [8.54-8.61]	267.0 [10.51]	381	146.4-147.6 [5.76-5.81]	196.0 [7.72]	381	197.9-199.9 [7.79-7.87]	248.3 [9.78]	381	221.2-222.9 [8.71-8.78]	271.3 [10.68]

REV	DESCRIPTION	BY	CHK	DATE	ECN
A	ENGINEERING RELEASE	AGJ		9-30-03	45313
B	REVISED TABULATION BLOCKS	AGJ		5-17-04	47918
C	-1) (2B) PORT OPTION WAS "Y" -2) ADDED CASE FLOW OPTION "02" -3) UPDATED DISP VALUES AND MOUNTING TYPE IN THE TABLE	AMM		1-24-07	0002527



NOTES
 1 PORTS - OPTION AH
 2 CASE FLOW - OPTION O2

UNLESS OTHERWISE SPECIFIED ALL DIMENSIONS ARE IN INCHES <input type="checkbox"/> MILLIMETERS <input checked="" type="checkbox"/>		DRAWING BASED ON ANSI Y14.5M-1982	
TOLERANCES .X +---- .XX +REF .XXX +ONLY <----		THE REPRODUCTION, DISTRIBUTION, AND UTILIZATION OF THIS DOCUMENT, AS WELL AS THE COMMUNICATION OF ITS CONTENTS TO OTHERS WITHOUT EXPLICIT AUTHORIZATION IS PROHIBITED. OFFENDERS WILL BE HELD LIABLE FOR THE PAYMENT OF DAMAGES. ALL RIGHTS RESERVED IN THE EVENT OF THE GRANT OF A PATENT, UTILITY MODEL, OR DESIGN. (PER ISO 16016)	
DRWN BY/DATE AGJ 10-15-03		MATERIAL/HEAT TREAT	
CHKD BY/DATE SMM 10-15-03		ENGR BY/DATE TIM 10-15-03	
UNSPECIFIED RADI ARE		METALLURGY	
UNSPECIFIED DRAFT ANGLES ARE		THIRD ANGLE PROJECTION	
DRAWING FORMAT CAD <input checked="" type="checkbox"/> MANUAL <input type="checkbox"/>		DO NOT SCALE	
		MICROINCHES (MICROINCHES) NUMBER	
		ARTHEMETICAL AVERAGE SCALE 1/1 SHEET 1 OF 1	



4000 SERIES MOTOR PORT INSTALLATION
 A-556-019