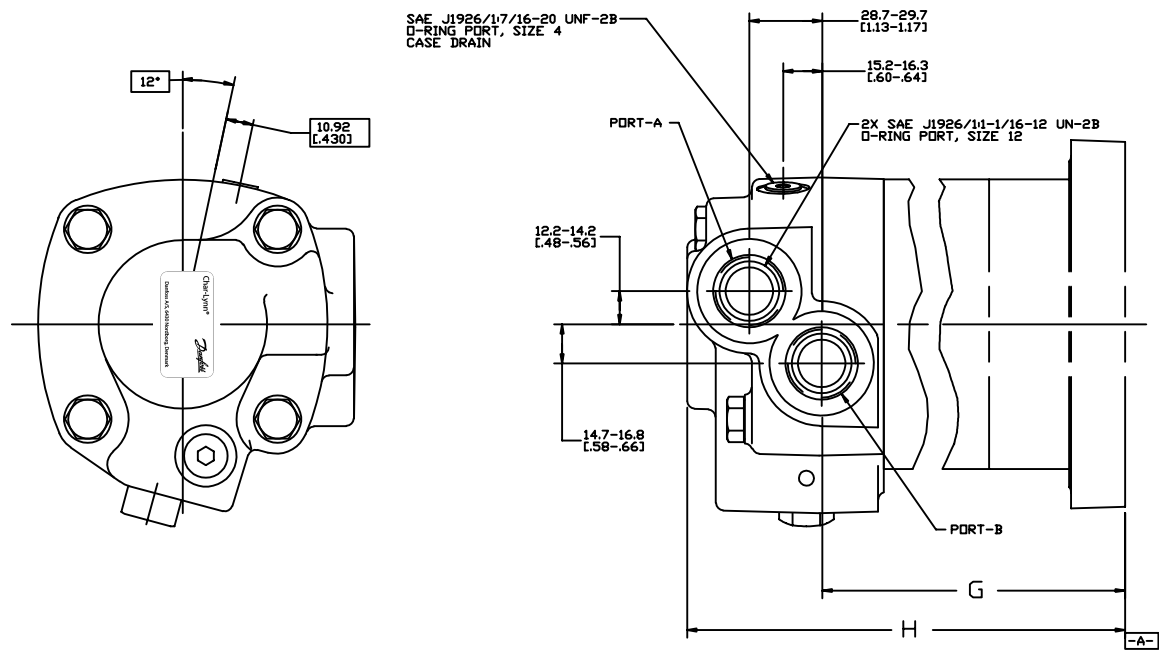


8			7			6			5			4		
MOUNTING TYPE AA & AG			MOUNTING TYPE AB,AM & AW			MOUNTING TYPE AC & AD			MOUNTING TYPE AE			MOUNTING TYPE AF & AJ		
DISP	G	H MAX	DISP	G	H MAX	DISP	G	H MAX	DISP	G	H MAX	DISP	G	H MAX
067	90.5-91.6 [3.56-3.61]	147.5 [5.81]	067	157.5-159.2 [6.20-6.27]	215.1 [8.47]	067	86.8-88.1 [3.42-3.47]	144.0 [5.67]	067	138.3-140.5 [5.44-5.53]	196.4 [7.73]	067	161.6-163.4 [6.36-6.43]	219.4 [8.64]
080	94.5-95.6 [3.72-3.77]	151.6 [5.97]	080	161.5-163.2 [6.36-6.43]	219.2 [8.63]	080	90.9-92.2 [3.58-3.63]	148.1 [5.83]	080	142.3-144.5 [5.60-5.69]	200.4 [7.89]	080	165.7-167.5 [6.52-6.59]	223.4 [8.80]
099	100.9-102.0 [3.97-4.01]	157.9 [6.22]	099	167.9-169.6 [6.61-6.68]	225.5 [8.88]	099	97.2-98.5 [3.83-3.88]	154.4 [6.08]	099	148.6-150.8 [5.85-5.94]	206.7 [8.14]	099	172.0-173.8 [6.77-6.84]	229.7 [9.04]
125	109.4-110.5 [4.31-4.35]	166.4 [6.55]	125	176.4-178.1 [6.94-7.01]	234.0 [9.21]	125	105.7-107.0 [4.16-4.21]	162.9 [6.42]	125	157.2-159.4 [6.19-6.27]	215.3 [8.48]	125	180.5-182.3 [7.11-7.18]	238.3 [9.38]
150	100.9-102.0 [3.97-4.01]	157.9 [6.22]	150	167.9-169.6 [6.61-6.68]	225.5 [8.88]	150	97.2-98.5 [3.83-3.88]	154.4 [6.08]	150	148.6-150.8 [5.85-5.94]	206.7 [8.14]	150	172.0-173.8 [6.77-6.84]	229.7 [9.04]
171	105.3-106.4 [4.14-4.19]	162.3 [6.39]	171	172.2-174.0 [6.78-6.85]	229.9 [9.05]	171	101.6-102.9 [4.00-4.05]	158.8 [6.25]	171	153.0-155.2 [6.02-6.11]	211.1 [8.31]	171	176.4-178.2 [6.94-7.02]	234.1 [9.22]
190	109.4-110.5 [4.31-4.35]	166.4 [6.55]	190	176.4-178.1 [6.94-7.01]	234.0 [9.21]	190	105.7-107.0 [4.16-4.21]	162.9 [6.42]	190	157.2-159.4 [6.19-6.27]	215.3 [8.48]	190	180.5-182.3 [7.11-7.18]	238.3 [9.38]
240	120.1-121.2 [4.73-4.77]	177.1 [6.97]	240	187.1-188.8 [7.36-7.43]	244.7 [9.63]	240	116.4-117.7 [4.58-4.63]	173.6 [6.84]	240	167.8-170.0 [6.61-6.69]	225.9 [8.90]	240	191.2-193.0 [7.53-7.60]	248.9 [9.80]
301	132.9-134.0 [5.23-5.28]	189.9 [7.48]	301	199.9-201.6 [7.87-7.94]	257.5 [10.14]	301	129.2-130.5 [5.09-5.14]	186.5 [7.34]	301	180.7-182.9 [7.11-7.20]	238.8 [9.40]	301	204.0-205.9 [8.03-8.10]	261.8 [10.31]
342	141.7-142.8 [5.58-5.62]	198.7 [7.82]	342	208.7-210.4 [8.22-8.28]	266.3 [10.49]	342	138.0-139.3 [5.43-5.49]	195.2 [7.69]	342	189.5-191.7 [7.46-7.55]	247.6 [9.75]	342	212.8-214.6 [8.38-8.45]	270.6 [10.65]
381	150.0-151.1 [5.91-5.95]	207.0 [8.15]	381	217.0-218.7 [8.54-8.61]	274.6 [10.81]	381	146.3-147.6 [5.76-5.81]	203.5 [8.01]	381	197.7-199.9 [7.79-7.87]	255.9 [10.07]	381	221.1-222.9 [8.71-8.78]	278.8 [10.98]

REV	DESCRIPTION	BY	CHK	DATE	ECN
A	ENGINEERING RELEASE	SMM		09-21-81	M26352
B	REVISED TABULATION BLOCKS	AGJ		5-17-84	47918
C	-1(X4A)PORT OPTION WAS 'B' -2(X)ADDED CASE FLOW OPTION '06' -3) UPDATED DISP VALUES AND MOUNTING TYPE IN THE TABLE -4)ADDED LOW PRESSURE RELIEF OPTION 'A'	AMM		1-24-87	0002527
D	(4C)7/16-20 UNF-2B O-RING PORT,SIZE 4 CASE DRAIN WAS 7/16-18 UNF-2B O-RING PORT,SIZE 4 CASE DRAIN	VBH		8-28-87	0008586
E	-1) UPDATED TABULATED DIMENSION AS PER ASSEMBLY STACK UP -2(X)C) 28.7-29.7 [1.13-1.17] WAS 29.0-29.5 [1.14-1.16] -3(X)C)15.2-16.3 [6.0-6.4] WAS 15.29-16.05 [6.02-6.32] -4(X)B)12.2-14.2[.48-.56] WAS 13.08-13.34 [5.15-.525] -5(X)B)14.7-16.8[.58-.66] WAS 15.62-15.88 [6.15-.625] -6(X)A)REMOVED NOTE 3 'LOW PRESSURE RELIEF - OPTION A'	SMT		09-28-88	M80169
F	-1(X)D)ADDED MOUNTING TYPE AW TO TABULATION BLOCK -2(X)B)REMOVED RIVETS	SB	NRI	10-23-85	M976408

8			7			6			5			4		
MOUNTING TYPE AH			MOUNTING TYPE AP											
DISP	G	H MAX	DISP	G	H MAX									
067	136.7-138.5 [5.38-5.45]	194.4 [7.65]	067	96.8-98.1 [3.81-3.86]	154.0 [6.06]									
080	140.7-142.5 [5.54-5.61]	198.4 [7.81]	080	100.8-102.2 [3.97-4.02]	158.1 [6.22]									
099	147.0-148.8 [5.79-5.86]	204.7 [8.06]	099	107.2-108.5 [4.22-4.27]	164.4 [6.47]									
125	155.6-157.4 [6.12-6.20]	213.3 [8.40]	125	115.7-117.0 [4.56-4.61]	172.9 [6.81]									
150	147.0-148.8 [5.79-5.86]	204.7 [8.06]	150	107.2-108.5 [4.22-4.27]	164.4 [6.47]									
171	151.4-153.2 [5.96-6.03]	209.1 [8.23]	171	111.6-112.9 [4.39-4.44]	168.8 [6.65]									
190	155.6-157.4 [6.12-6.20]	213.3 [8.40]	190	115.7-117.0 [4.56-4.61]	172.9 [6.81]									
240	166.2-168.0 [6.54-6.62]	224.0 [8.82]	240	126.4-127.7 [4.98-5.03]	183.6 [7.23]									
301	179.1-180.9 [7.05-7.12]	236.8 [9.32]	301	139.2-140.5 [5.48-5.53]	196.4 [7.73]									
342	187.9-189.7 [7.40-7.47]	245.6 [9.67]	342	148.0-149.3 [5.83-5.88]	205.2 [8.08]									
381	196.1-198.0 [7.72-7.79]	253.9 [10.00]	381	156.3-157.6 [6.16-6.20]	213.5 [8.41]									



SAE J1926/17/16-20 UNF-2B
O-RING PORT, SIZE 4
CASE DRAIN

2X SAE J1926/11-1/16-12 UN-2B
O-RING PORT, SIZE 12

REVIEWED FOR CLASSIFICATION PER ESP-042

UNLESS OTHERWISE SPECIFIED ALL DIMENSIONS ARE IN INCHES		DRAWING BASED ON ANSI Y14.5M-1982	
MILLIMETERS CHECKED		THE REPRODUCTION, DISTRIBUTION, AND UTILIZATION OF THIS DOCUMENT, AS WELL AS THE COMBINATION OF ITS CONTENTS TO OTHERS WITHOUT EXPLICIT AUTHORIZATION IS PROHIBITED. OFFENDERS WILL BE HELD LIABLE FOR THE PAYMENT OF DAMAGES. ALL RIGHTS RESERVED IN THE EVENT OF THE GRANT OF A PATENT, UTILITY MODEL, OR DESIGN (PER ISO 10000)	
TOLERANCES		Danford	
X * -		MATERIAL HEAT TREAT	
XXX * -		-	
XXX * -		-	
UNSPECIFIED RADI AND		TITLE	
		4000 SERIES MOTOR PORT INSTALLATION	
UNSPECIFIED DRAFT ANGLES AND		NUMBER	
		A-556-015	
D SIZE		SCALE	
		1/1 SHEET 1 OF 1	

NOTES
1 PORTS - OPTION AB
2 CASE FLOW - OPTION 06