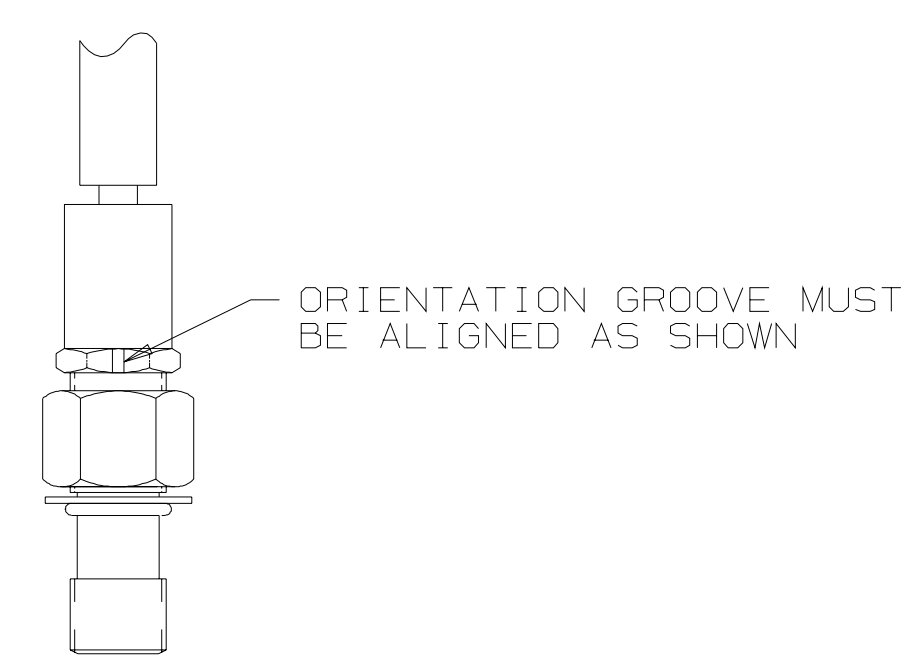
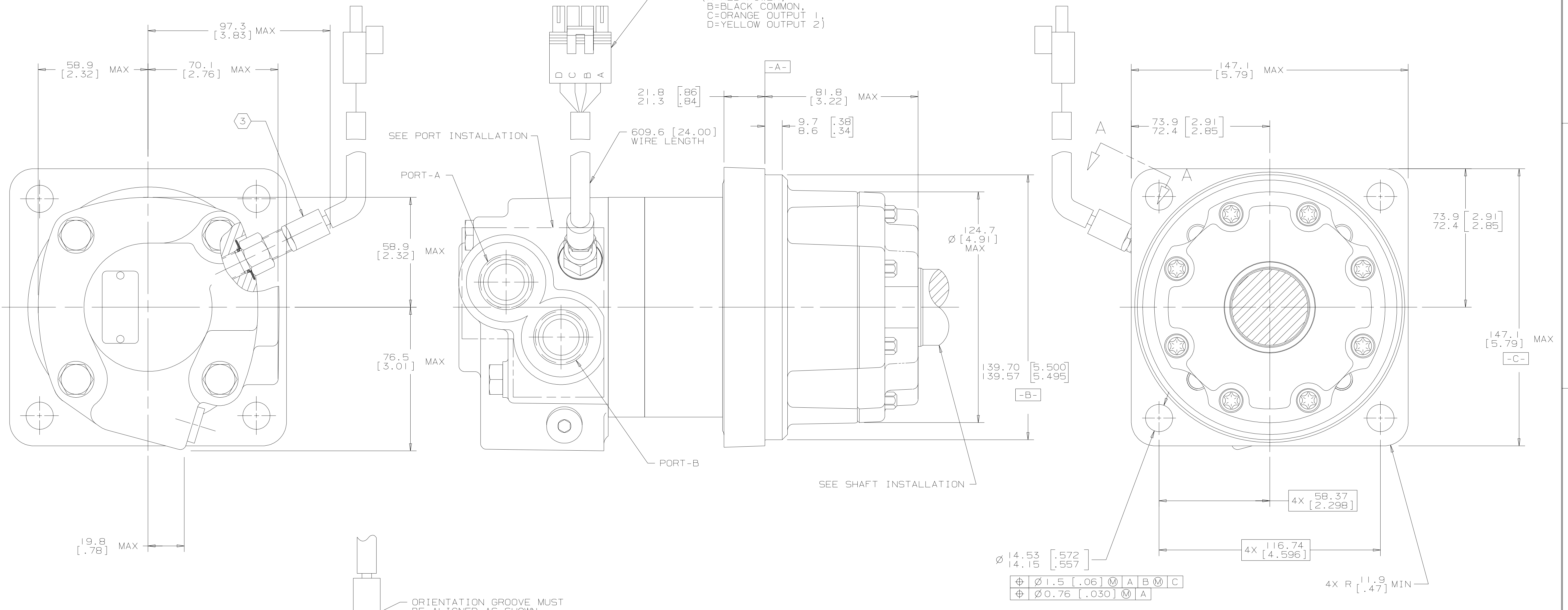


REV	DESCRIPTION	BY	CHK	DATE	ECN
A	ENGINEERING RELEASE	AGJ		2-15-02	M27283
B	(5A) MOUNTING TYPE WAS "C"	AMM		1-24-07	0002527

CONNECTOR PINS DESIGNED TO MATE WITH WEATHER PACK CONNECTOR P/N 12010974 TERMINAL P/N 12089188 CONTACT RATINGS: 5 AMPS MAX AT 12 VOLTS (A=RED POWER, B=BLACK COMMON, C=ORANGE OUTPUT 1, D=YELLOW OUTPUT 2)



- NOTE
- ROTATION: STANDARD; WHEN FACING SHAFT END OF MOTOR, SHAFT TO ROTATE; CLOCKWISE WHEN PORT "A" IS PRESSURIZED OUTPUT 1 LEADS OUTPUT 2 OR SENSOR DIRECTION OUTPUT GOES LOW COUNTERCLOCKWISE WHEN PORT "B" IS PRESSURIZED OUTPUT 2 LEADS OUTPUT 1 OR SENSOR DIRECTION OUTPUT GOES HIGH
REVERSE; WHEN FACING SHAFT END OF MOTOR, SHAFT TO ROTATE; CLOCKWISE WHEN PORT "B" IS PRESSURIZED. OUTPUT 1 LEADS OUTPUT 2 OR SENSOR DIRECTION OUTPUT GOES LOW COUNTERCLOCKWISE WHEN PORT "A" IS PRESSURIZED OUTPUT 2 LEADS OUTPUT 1 OR SENSOR DIRECTION OUTPUT GOES HIGH
 - MOUNTING TYPE: AC WHEEL, 4 BOLT; 139.70 [5.500] PILOT DIA. 14.27 [.562] DIA. HOLES ON 165.10 [6.500] DIA. BOLT CIRCLE
 - NOMINAL SENSOR OUTPUT WILL BE TWO 36 ELECTRICAL PULSE SIGNALS IN QUADRATURE PER SHAFT REVOLUTION
SUPPLY VOLTAGE: 8 TO 28 V_{dc}
OUTPUT VOLTAGE: LOW .5 V_{dc} AT 10 mA; HIGH V_s-1 V_{dc}

UNLESS OTHERWISE SPECIFIED ALL DIMENSIONS ARE IN		DRAWING BASED ON ANSI Y14.5M-1982	
INCHES	<input type="checkbox"/>	THE REPRODUCTION, DISTRIBUTION, AND UTILIZATION OF THIS DOCUMENT, AS WELL AS THE COMMUNICATION OF ITS CONTENTS TO OTHERS WITHOUT EXPLICIT AUTHORIZATION IS PROHIBITED. OFFENDERS WILL BE HELD LIABLE FOR THE PAYMENT OF DAMAGES. ALL RIGHTS RESERVED IN THE EVENT OF THE GRANT OF A PATENT, UTILITY MODEL, OR DESIGN. (PER ISO 16016)	
MILLIMETERS	<input checked="" type="checkbox"/>		
TOLERANCES			
.x	----	DRWN BY/DATE AGJ 2-22-02	MATERIAL/HEAT TREAT
.xx	+REF	CHEK BY/DATE SMM 2-25-02	
.xxx	+ONLY	ENGR BY/DATE RTH 2-25-02	TITLE
<	----	METALLURGY BY/DATE	4000 MOTOR INSTALLATION
UNSPECIFIED RADI ARE	----	THIRD ANGLE PROJECTION	NUMBER
UNSPECIFIED DRAFT ANGLES ARE	----	DO NOT SCALE	A-2103-005
DRAWING FORMAT CAD <input checked="" type="checkbox"/> MANUAL <input type="checkbox"/>		ARTHEMETICAL AVERAGE	SCALE 1/1 SHEET 1 OF 1