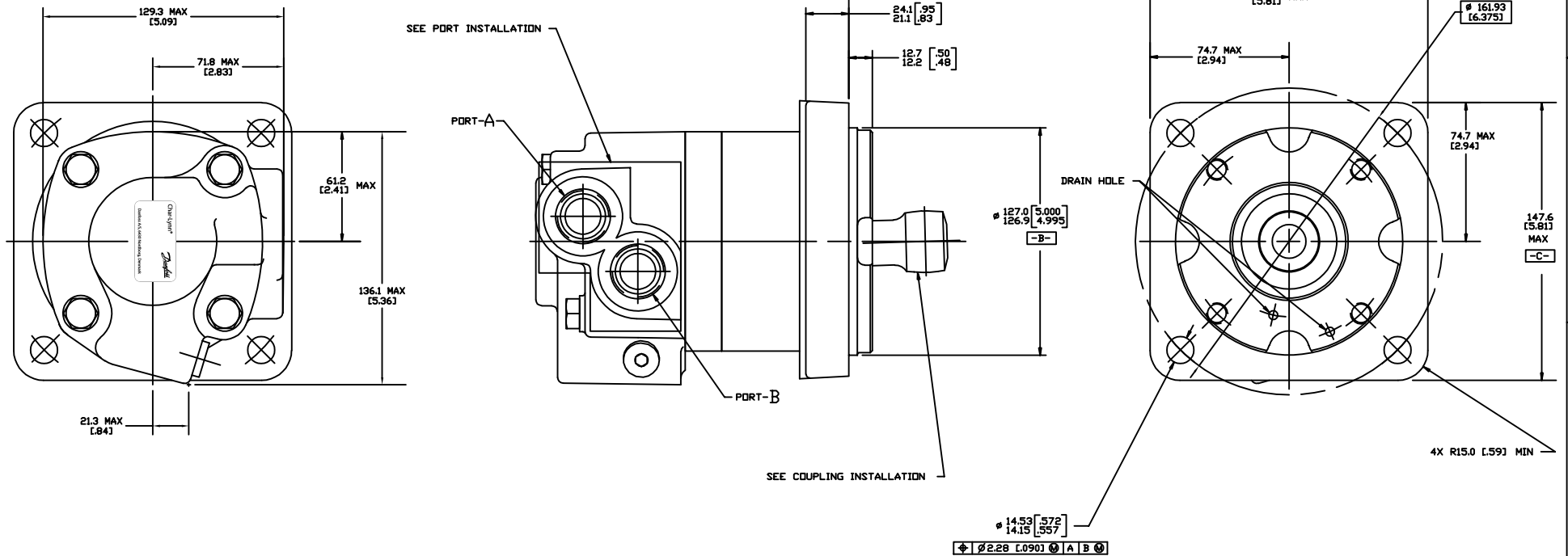


REV	DESCRIPTION	BY	CHK	DATE	ECN
A	ENGINEERING RELEASE	SDR		02-08-92	21551
B	(2B) 114.50 WAS 63.70	JMM		01-17-95	26395
C	-1X(7B) REMOVED 17*±1* -2X(4D) REMOVED 37.8/34.4 [1.49/1.36] -3X(4D) ADDED 12.7/12.2 [5.07/4.8]	AGJ		11-22-95	27499
D	(5C) (7) REVISED PICTORIALY	RAF		02-05-97	29191
E	(2C) REVISED PICTORIALY	SMM		02-28-01	36991
F	(7A) MOUNTING TYPE WAS 'A'	SSD		1-24-02	0002327
G	-1D) REVISED DIMENSIONS FOR STACK UP -2(X6A) NOTE 2 WAS 'MOUNTING TYPE: AA 4 BOLT...'	CSG		0-0-0	H81474



NOTE

1. ROTATION
 STANDARD; WHEN FACING SHAFT END OF MOTOR, SHAFT TO ROTATE;
 CLOCKWISE WHEN PORT 'A' IS PRESSURIZED
 COUNTERCLOCKWISE WHEN PORT 'B' IS PRESSURIZED

REVERSE; WHEN FACING SHAFT END OF MOTOR, SHAFT TO ROTATE;
 COUNTERCLOCKWISE WHEN PORT 'B' IS PRESSURIZED
 CLOCKWISE WHEN PORT 'A' IS PRESSURIZED

2. MOUNTING TYPE: AA
 BEARINGLESS, 4 BOLT; 127.00 [5.000] PILOT DIA. 14.27 [0.562] DIA. HOLES
 ON 161.92 [6.375] DIA. BOLT CIRCLE

REVIEWED FOR CLASSIFICATION PER ESP-042

DRAWING BASED ON ANSI Y14.5M-1982

UNLESS OTHERWISE SPECIFIED ALL DIMENSIONS ARE IN MILLIMETERS	TOLERANCES	
FRAMES	± 0.13	± 0.13
HOLES	± 0.13	± 0.13
UNSPECIFIED HOLES ARE	± 0.13	± 0.13
SHAFT HOLES ARE	± 0.13	± 0.13
DRIVER FORMS AND (B) SHALL BE	DO NOT SCALE	DO NOT SCALE

SDR 3-14-92	INTERNAL HEAT TREAT
KJR 8-4-92	
RVA 8-4-92	TITLE
4000 MOTOR INSTALLATION	
4000 MOTOR INSTALLATION	
A-597-000	
SCALE 1/1	SHEET 1 OF 1

THE REPRODUCTION, DISTRIBUTION AND UTILIZATION OF THIS DOCUMENT AS WELL AS THE COMMUNICATION OF ITS CONTENTS TO OTHERS WITHOUT EXPLICIT AUTHORIZATION IS PROHIBITED. OPERATORS WILL BE HELD LIABLE FOR THE PAYMENT OF DAMAGES. ALL RIGHTS RESERVED IN THE EVENT OF A PATENT, UTILITY MODEL, OR DESIGN. (PER ISO 1000)

Danfoss