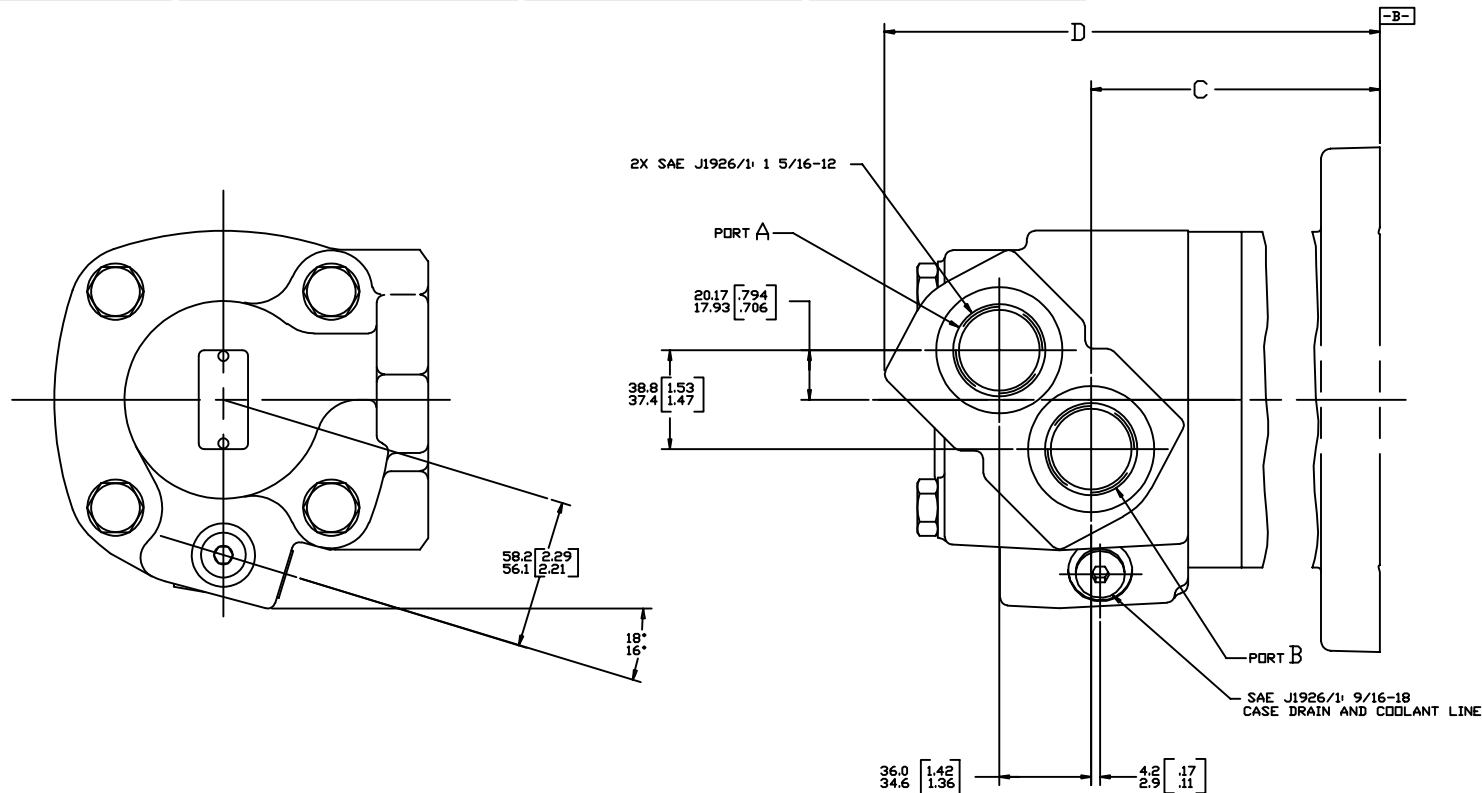


8 MOUNTING TYPE AA & AM			7 MOUNTING TYPE AB,AD,AE & AF			6 MOUNTING TYPE AC			5 MOUNTING TYPE AH		
DISP	C	D MAX	DISP	C	D MAX	DISP	C	D MAX	DISP	C	D MAX
120	104.3-106.5 [4.11-4.19]	188.4 [7.42]	120	185.9-189.5 [7.32-7.46]	270.4 [10.65]	120	101.6-103.9 [4.00-4.09]	185.6 [7.31]	120	168.6-170.2 [6.64-6.70]	252.4 [9.94]
150	109.9-112.1 [4.33-4.41]	194.0 [7.64]	150	191.5-195.1 [7.54-7.68]	276.0 [10.87]	150	107.1-109.5 [4.22-4.31]	191.3 [7.53]	150	174.3-175.8 [6.86-6.92]	258.0 [10.16]
190	117.3-119.4 [4.62-4.70]	201.2 [7.92]	190	198.8-202.5 [7.83-7.97]	283.3 [11.15]	190	114.3-116.6 [4.50-4.59]	198.5 [7.82]	190	181.5-183.1 [7.15-7.21]	265.3 [10.44]
239	126.2-128.3 [4.97-5.05]	210.1 [8.27]	239	207.5-211.1 [8.17-8.31]	292.1 [11.50]	239	123.1-125.5 [4.85-4.94]	207.3 [8.16]	239	190.3-191.9 [7.49-7.55]	274.1 [10.79]
300	137.1-139.2 [5.40-5.48]	221.1 [8.71]	300	218.6-222.3 [8.61-8.75]	303.2 [11.94]	300	134.3-136.7 [5.29-5.38]	218.4 [8.60]	300	201.4-202.9 [7.93-7.99]	285.1 [11.23]
381	151.8-154.0 [5.98-6.06]	235.8 [9.28]	381	233.1-237.0 [9.18-9.33]	317.9 [12.52]	381	148.8-151.2 [5.86-5.95]	233.1 [9.18]	381	216.1-217.6 [8.51-8.57]	299.8 [11.81]
450	164.4-166.5 [6.47-6.55]	248.4 [9.78]	450	245.7-249.5 [9.67-9.82]	330.5 [13.01]	450	161.4-163.6 [6.35-6.44]	245.7 [9.67]	450	228.7-230.2 [9.00-9.06]	312.4 [12.30]
490	171.7-173.8 [6.76-6.84]	255.7 [10.07]	490	253.0-256.8 [9.96-10.11]	337.7 [13.30]	490	168.6-170.9 [6.64-6.73]	253.0 [9.96]	490	235.9-237.5 [9.29-9.35]	319.7 [12.59]
600	191.7-193.9 [7.55-7.63]	275.5 [10.85]	600	273.0-276.9 [10.75-10.90]	357.6 [14.08]	600	188.7-191.1 [7.43-7.52]	272.8 [10.74]	600	255.8-257.4 [10.07-10.13]	339.6 [13.37]

REV	DESCRIPTION	BY	CHK	DATE	ECN
A	ENGINEERING RELEASE	RAF		8-30-95	M14044
B	ADDED DISPLACEMENT CODE '49' TO ALL TABS	CMR		7-23-98	31517
C	REVISED	JSB		12-11-06	0001664
D	REVISED	SSD		07-13-10	M79582



NOTE
1 PORT OPTION AA

REVIEWED FOR CLASSIFICATION PER ESP-042

UNLESS OTHERWISE SPECIFIED ALL DIMENSIONS ARE IN MILLIMETERS		DRAWING BASED ON ANSI Y14.5M-1982	
TOLERANCES X .----- XXX . ONLY / .-----		ISSUED DATE 9-1-95	INTERNAL/HEAT TREAT
UNSPECIFIED HOLE ARE		REVISED DATE 9-18-95	TITLE 6000 SERIES MOTOR PORT INSTALLATION
UNSPECIFIED SHARP ANGLES ARE		THIRD ANGLE PROJECTION	NUMBER A-1024-006
D SIZE		DO NOT SCALE	SCALE 1/1 SHEET 1 OF 1