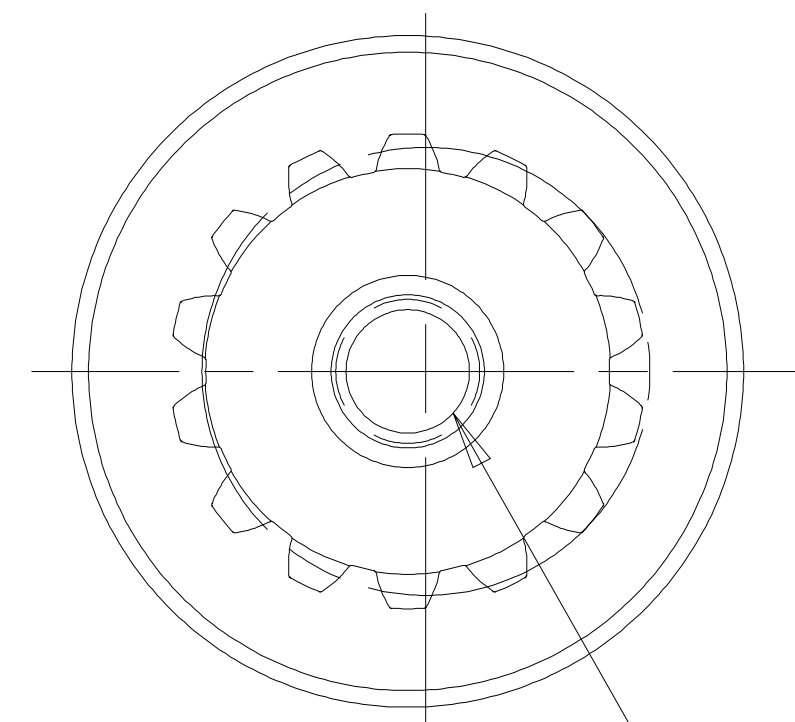
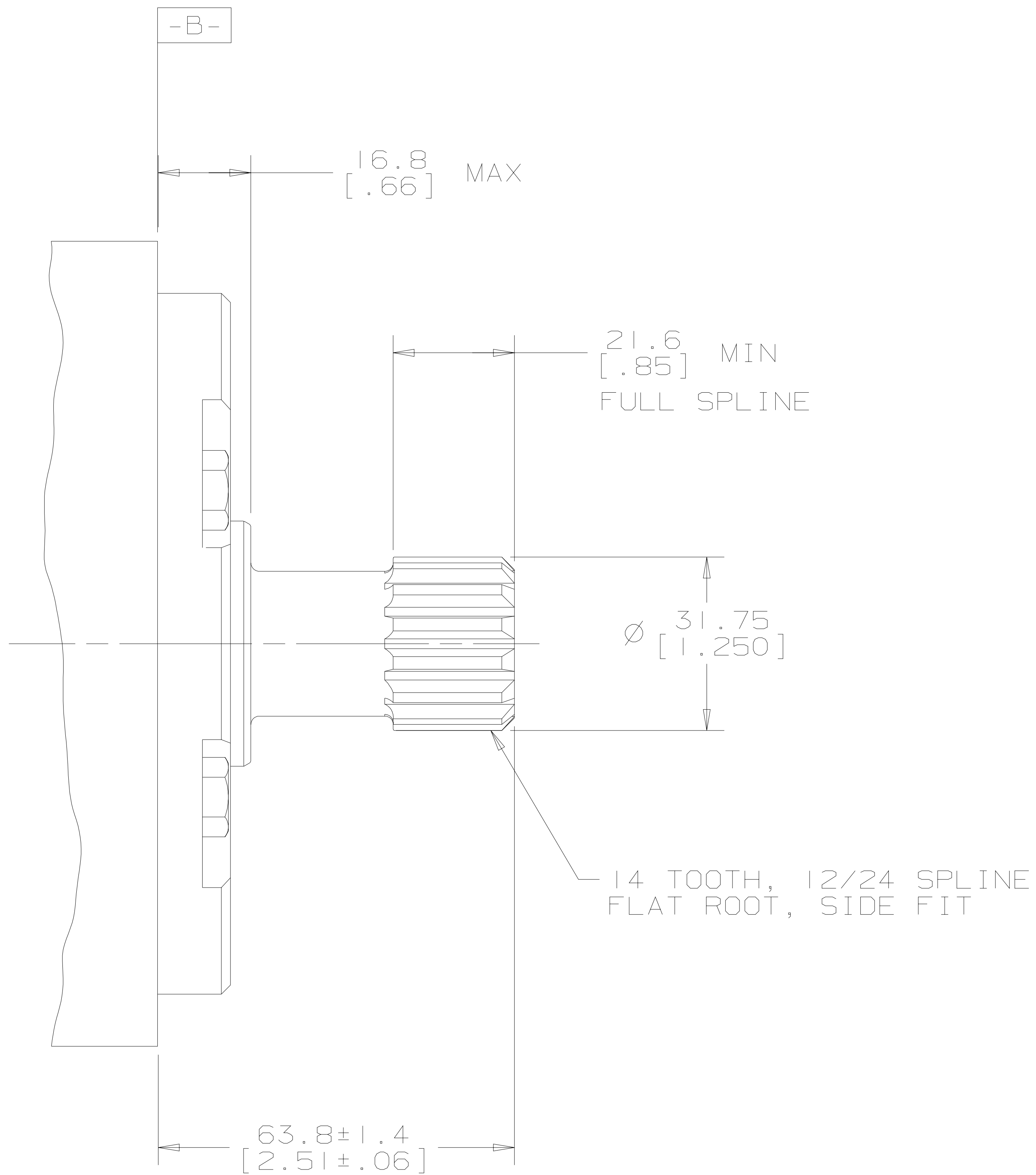


REV	DESCRIPTION	BY	CHK	DATE	ECN
A	ENGINEERING RELEASE	RAF		8-30-95	MI 4044
B	-1) MOUNTING TYPE WAS 'B' AND 'E' -2) OUTPUT SHAFT WAS '11'	VBH		12-11-06	0001664



3/8-16-UNC-2B  
↓ 19.05 [0.75] MIN

G K S

NOTE

- 1 MOUNTING TYPE: OPTION AB AND AE
- 2 OUTPUT SHAFT: OPTION 05

UNLESS OTHERWISE SPECIFIED ALL DIMENSIONS ARE IN INCHES <input type="checkbox"/> MILLIMETERS [INCHES] <input checked="" type="checkbox"/>	DRAWING BASED ON ANSI Y14.5M-1982	
	THE REPRODUCTION, DISTRIBUTION, AND UTILIZATION OF THIS DOCUMENT, AS WELL AS THE COMMUNICATION OF ITS CONTENTS TO OTHERS WITHOUT EXPLICIT AUTHORIZATION IS PROHIBITED. OFFENDERS WILL BE HELD LIABLE FOR THE PAYMENT OF DAMAGES. ALL RIGHTS RESERVED IN THE EVENT OF THE GRANT OF A PATENT, UTILITY MODEL, OR DESIGN. (PER ISO 16016)	
TOLERANCES .X ± ---- .XX ± REF .XXX ± ONLY ∠ ± ----	DRAWN BY/DATE RAF 9-7-95 CHECKED BY/DATE ENGRG BY/DATE METALLURGY BY/DATE	MATERIAL/HEAT TREAT  TITLE 6000 SERIES MOTOR SHAFT INSTALLATION
UNSPECIFIED RADII ARE ----	THIRD ANGLE PROJECTION DO NOT SCALE	NUMBER A-1020-011
UNSPECIFIED DRAFT ANGLES ARE ----		SCALE 1/1 SHEET 1 OF 1
DRAWING FORMAT CADD <input checked="" type="checkbox"/> MANUAL <input type="checkbox"/>	ARITHMETICAL AVERAGE <input checked="" type="checkbox"/>	