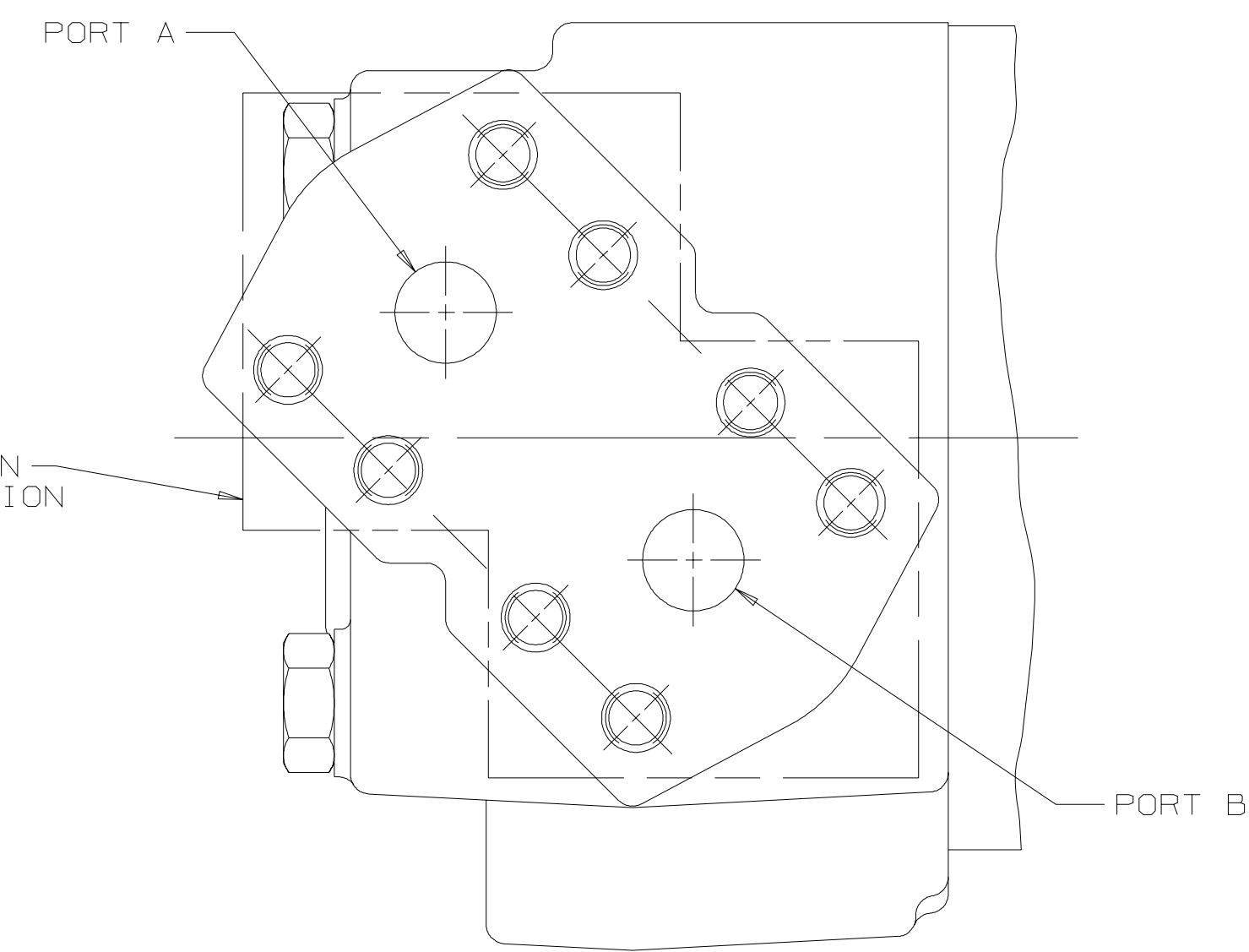
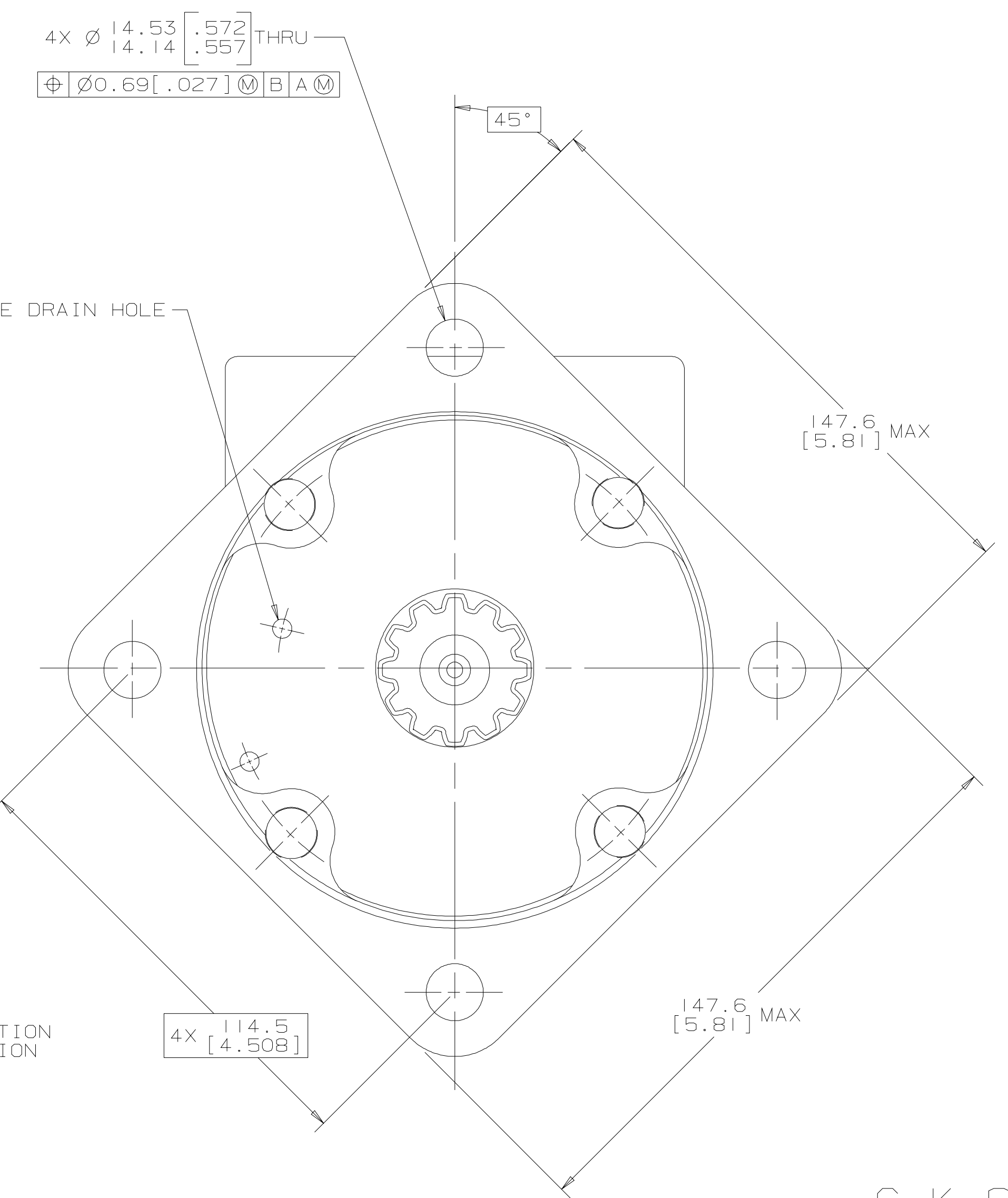
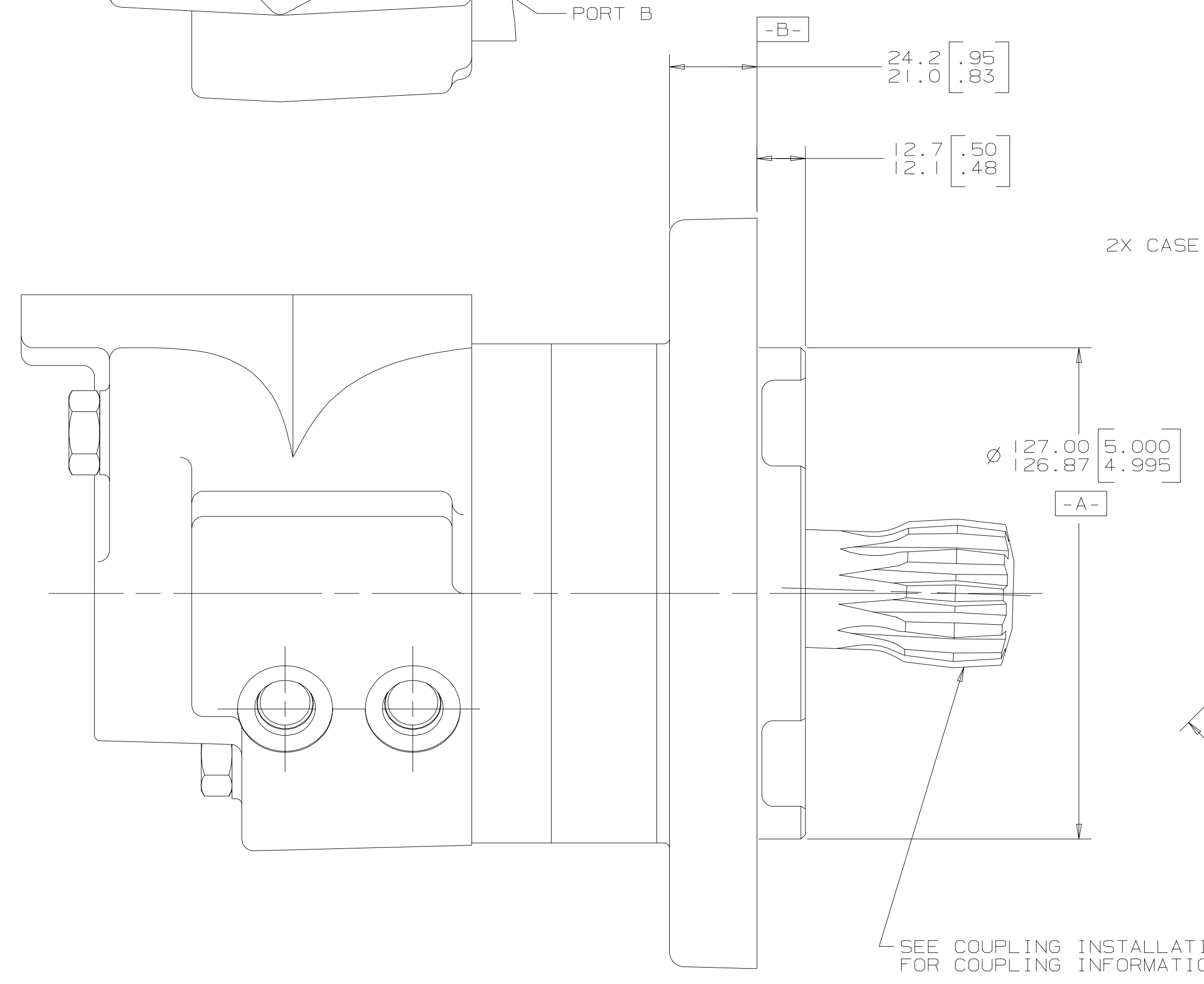
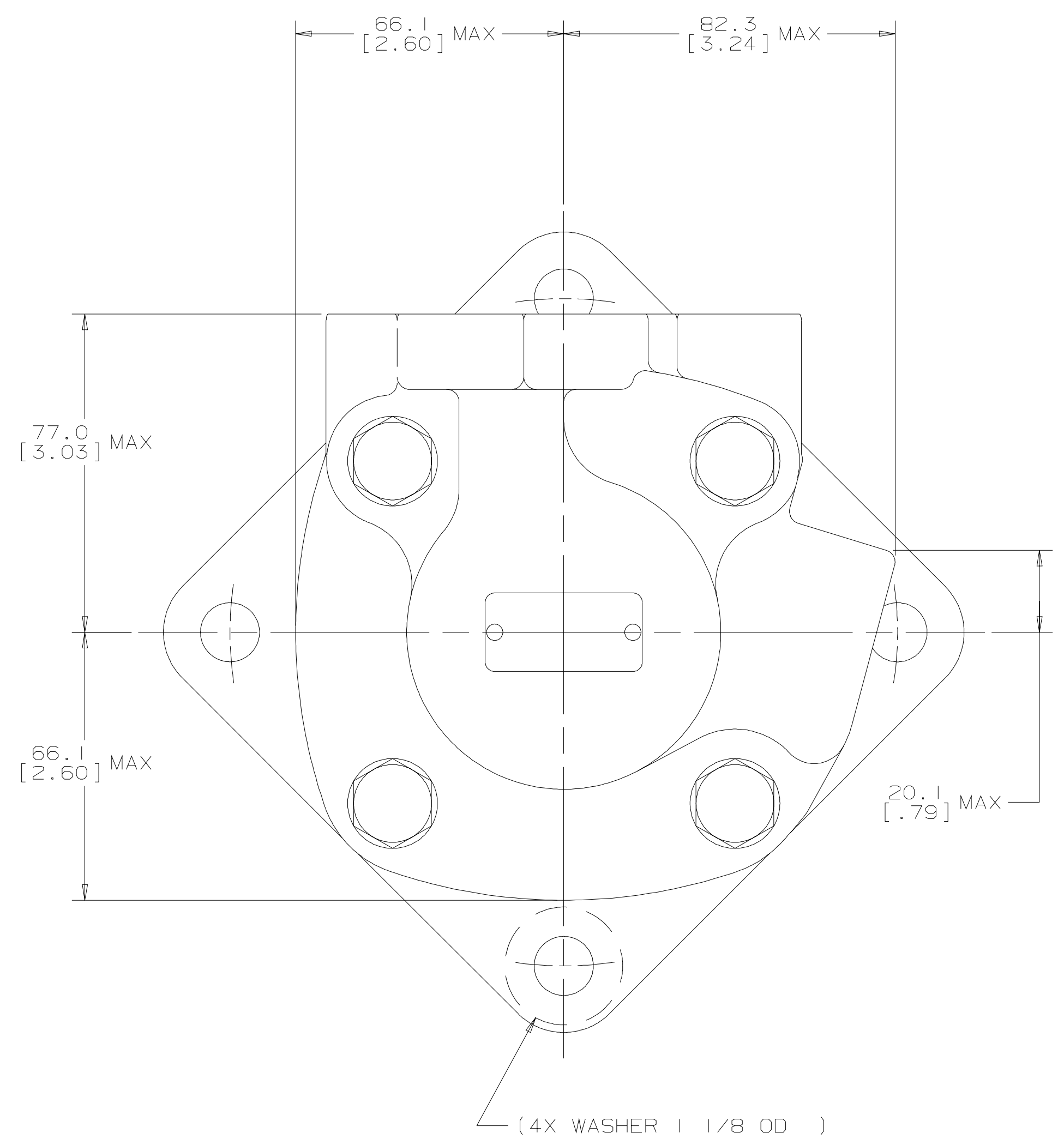


REV	DESCRIPTION	BY	CHK	DATE	ECN
A	ENGINEERING RELEASE	SMM		7-28-00	36349
B	(4A) MOUNTING TYPE WAS 'A'	AMM		12-11-06	0001664



SEE PORT INSTALLATION FOR PORTING INFORMATION



NOTE
 1 ROTATION
 STANDARD: WHEN FACING SHAFT END OF MOTOR, SHAFT TO ROTATE: CLOCKWISE WHEN PORT "A" IS PRESSURIZED COUNTERCLOCKWISE WHEN PORT "B" IS PRESSURIZED
 REVERSE: WHEN FACING SHAFT END OF MOTOR, SHAFT TO ROTATE: CLOCKWISE WHEN PORT "B" IS PRESSURIZED COUNTERCLOCKWISE WHEN PORT "A" IS PRESSURIZED
 2 MOUNTING TYPE: AA
 BEARINGLESS, 4 BOLT: Ø127.0 [5.00] PILOT Ø14.35 [.565] HOLES ON Ø162.0 [6.38] BOLT CIRCLE

G K S

UNLESS OTHERWISE SPECIFIED ALL DIMENSIONS ARE IN INCHES <input type="checkbox"/> MILLIMETERS <input checked="" type="checkbox"/>		DRAWING BASED ON ANSI Y14.5M-1982	
TOLERANCES .X +----- .XX +REF .XXX +ONLY < +-----		THE REPRODUCTION, DISTRIBUTION, AND UTILIZATION OF THIS DOCUMENT, AS WELL AS THE COMMUNICATION OF ITS CONTENTS TO OTHERS WITHOUT EXPLICIT AUTHORIZATION IS PROHIBITED. OFFENDERS WILL BE HELD LIABLE FOR THE PAYMENT OF DAMAGES. ALL RIGHTS RESERVED IN THE EVENT OF THE GRANT OF A PATENT, UTILITY MODEL, OR DESIGN. (PER ISO 16016)	
DRAIN BY/DATE SMM 7-31-00		MATERIAL/HEAT TREAT	
CHECKED BY/DATE		TITLE	
UNSPECIFIED RADI ARE		6000 SERIES MOTOR INSTALL	
UNSPECIFIED DRAFT ANGLES ARE		NUMBER	
DRAWING FORMAT CAD <input checked="" type="checkbox"/> MANUAL <input type="checkbox"/>		THIRD ANGLE PROJECTION	
DO NOT SCALE		ARTHEMATICAL AVERAGE	
SCALE 1/1		SHEET 1 OF 1	

