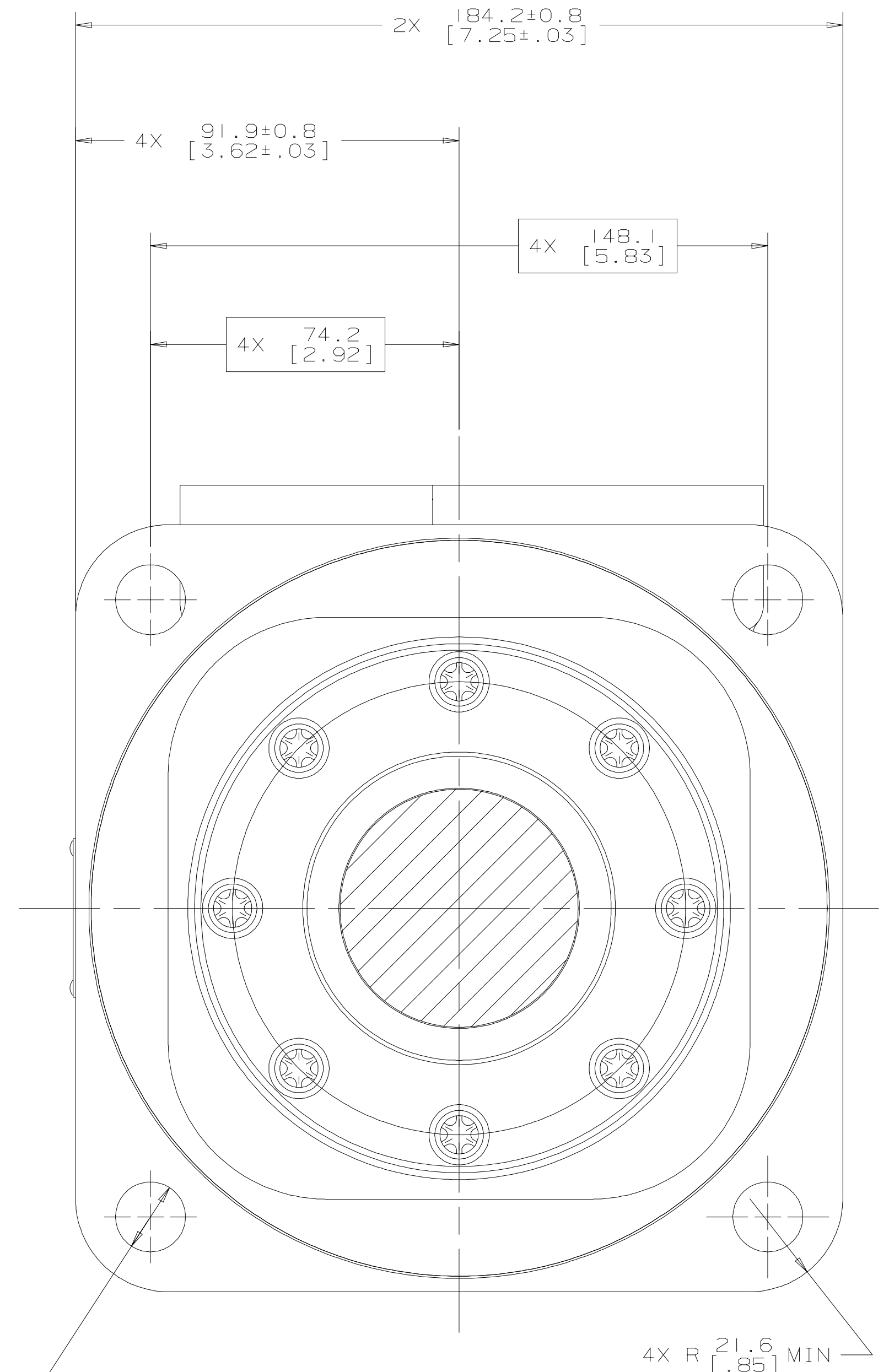
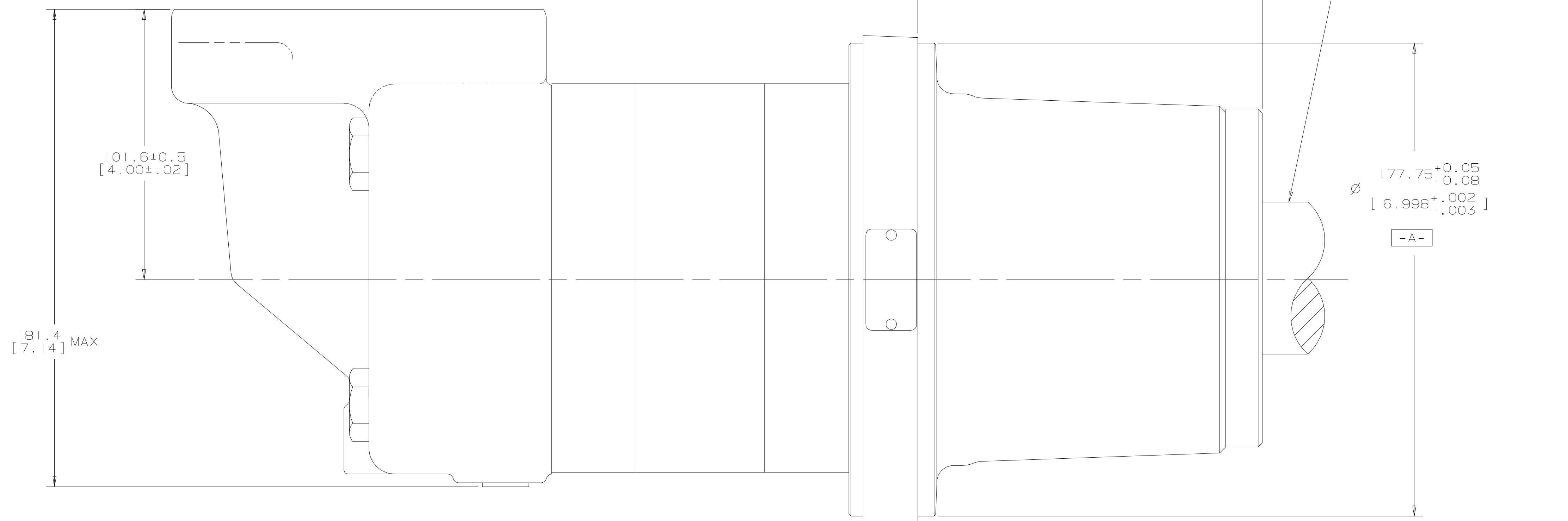
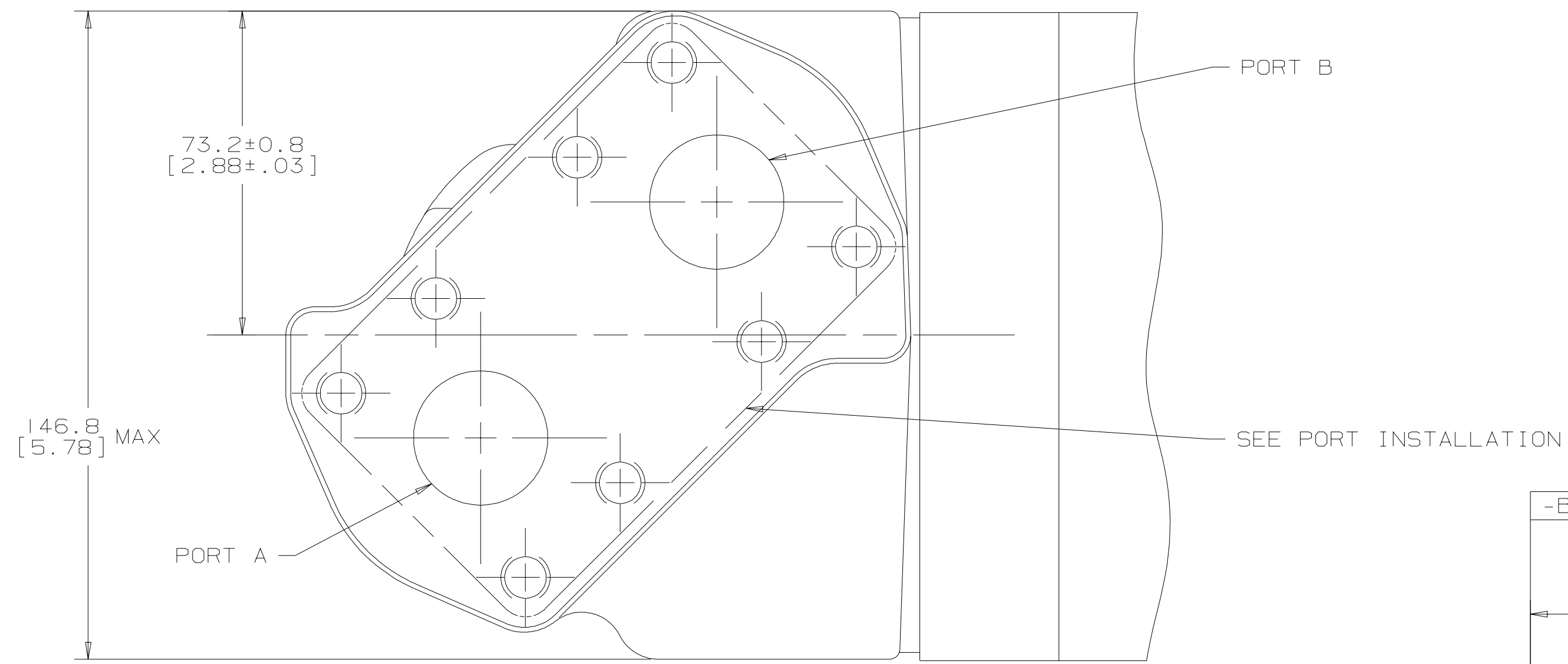


REV	DESCRIPTION	BY	DATE	ECN
A	ENGINEERING RELEASE	KJR	6-28-94	25183
B	(6A) MOUNTING TYPE WAS "B"	JSB	4-17-07	0004973



4X Ø 16.76±0.25
[.660±.010] THRU
⊕ | Ø0.30 [.012] | Ⓜ | B | A | Ⓜ

NOTE

- 1 ROTATION:
STANDARD: WHEN FACING SHAFT END OF MOTOR, SHAFT TO ROTATE:
CLOCKWISE WHEN PORT "A" IS PRESSURIZED
COUNTERCLOCKWISE WHEN PORT "B" IS PRESSURIZED
REVERSE: WHEN FACING SHAFT END OF MOTOR, SHAFT TO ROTATE:
CLOCKWISE WHEN PORT "B" IS PRESSURIZED
COUNTERCLOCKWISE WHEN PORT "A" IS PRESSURIZED

- 2 MOUNTING TYPE: AB
WHEEL, 4 BOLT: Ø177.8 [7.00] PILOT, Ø16.76 [.660] HOLES
ON Ø209.55 [8.250] BOLT CIRCLE.

UNLESS OTHERWISE SPECIFIED ALL DIMENSIONS ARE IN		DRAWING BASED ON ANSI Y14.5M-1982	
INCHES <input type="checkbox"/>	MILLIMETERS <input checked="" type="checkbox"/>	THE REPRODUCTION, DISTRIBUTION, AND UTILIZATION OF THIS DOCUMENT, AS WELL AS THE COMMUNICATION OF ITS CONTENTS TO OTHERS WITHOUT EXPLICIT AUTHORIZATION IS PROHIBITED. OFFENDERS WILL BE HELD LIABLE FOR THE PAYMENT OF DAMAGES. ALL RIGHTS RESERVED IN THE EVENT OF THE GRANT OF A PATENT, UTILITY MODEL, OR DESIGN. (PER ISO 16016)	
TOLERANCES			
.X ±	-----	DRAWN BY/DATE: KJR 3-4-94	MATERIAL/HEAT TREAT
.XX ±	-----	CHECKED BY/DATE	TITLE
.XXX ±	-----	UNSPECIFIED RADI ARE	10,000 SERIES MOTOR INSTALL
<	-----	UNSPECIFIED DRAFT ANGLES ARE	NUMBER
THIRD ANGLE PROJECTION	DO NOT SCALE	ARTHEMETICAL AVERAGE	A-830-002
DRAWING FORMAT CADD <input checked="" type="checkbox"/> MANUAL <input type="checkbox"/>	SCALE 1/1	SHEET 1 OF 1	