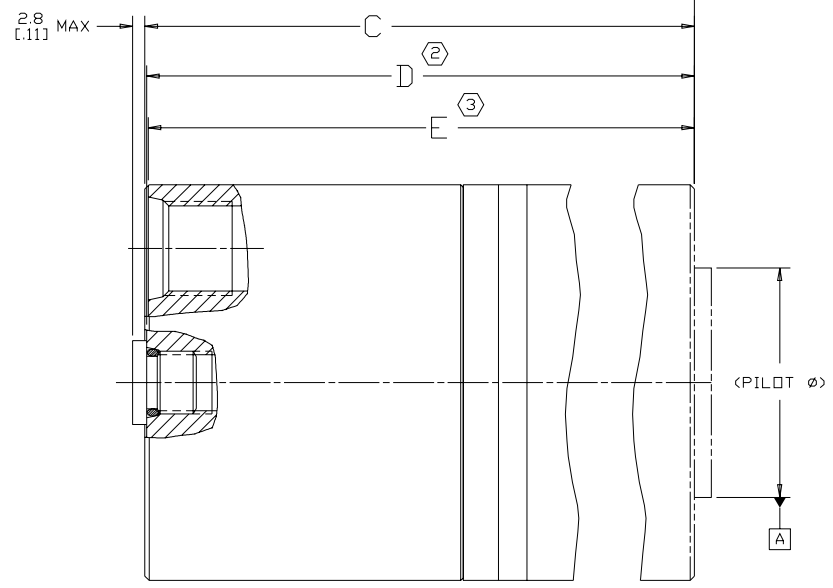
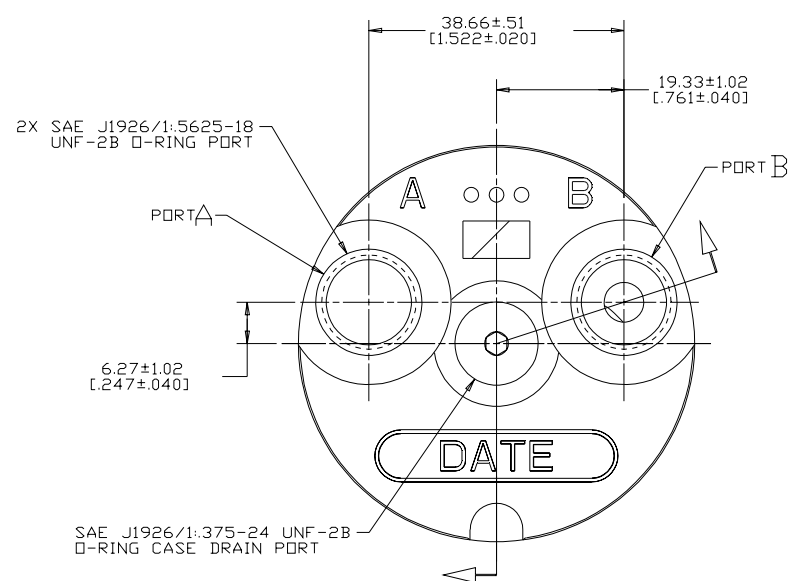


DISPL CODE	D	E	C MAX
05	102.34±0.81 [4.029±.032]	102.21±0.81 [4.024±.032]	104.2 [4.10]
08	105.41±0.81 [4.150±.032]	105.28±0.81 [4.145±.032]	107.2 [4.22]
10	107.65±0.81 [4.238±.032]	107.52±0.81 [4.233±.032]	109.5 [4.31]
12	109.86±0.81 [4.325±.032]	109.73±0.81 [4.320±.032]	111.7 [4.40]
19	117.50±0.81 [4.626±.032]	117.37±0.81 [4.621±.032]	119.3 [4.70]
30	128.85±0.81 [5.073±.032]	128.73±0.81 [5.068±.032]	130.7 [5.15]

REV	DESCRIPTION	BY	CHK	DATE	ECN / MPS
A	ENGINEERING RELEASE	RAF		1-23-96	27675
B	<4D>ADDED DISPL CODE 30	GCB		5-6-96	M15295
C	<4D>ADDED DISPL CODE 10	SKS		1-16-07	M69112
D	<3D>108.8 WAS 107.4 [4.28] [4.23]	AMM		10-20-07	0010272
E	-1>FORMAT REVISED AS PER CURRENT STANDARD -2>(1C) REVISED PICTORIALY -3>(3C) 19.33±1.02[.761±.040] WAS 19.33±0.51[.761±.020] -4>(4B) 6.27 ±1.02[.247±.040] WAS 6.27±1.02[.247 ±.02]	PRK	SDM	09-10-09	19372
F	-1>(4D)ADDED DISP CODE 10 TO TABULATION BLOCK -2>(4D)ADDED COLUMN D TO TABULATION BLOCK -3>(3B)(3C)REVISED PICTORIALY -4>REVISED AS PER STACK UP -5>DRAWING UPDATED TO ASME Y14.5-2009 STANDARD	YUP	YUP	03-27-15	0062470



NOTE

1 PORT TYPE A

② DIMENSION TAKEN FROM .375-24 UNF-2B O-RING PORT L

③ DIMENSION TAKEN FROM .5625-18 UNF-2B O-RING PORT L

REVIEWED FOR CLASSIFICATION PER ESP-042

UNLESS OTHERWISE SPECIFIED ALL DIMENSIONS ARE IN INCHES		DRAWING BASED ON ASME Y14.5-2009	
MILLIMETERS (INCHES)	<input type="checkbox"/>	THE REPRODUCTION, DISTRIBUTION, AND UTILIZATION OF THIS DOCUMENT AS WELL AS THE COMMUNICATION OF ITS CONTENTS TO OTHERS WITHOUT EXPLICIT AUTHORIZATION IS PROHIBITED. OFFENDERS WILL BE HELD LIABLE FOR THE PAYMENT OF DAMAGES. ALL RIGHTS RESERVED IN THE EVENT OF THE GRANT OF A PATENT, UTILITY MODEL, OR DESIGN. (PER ISO 16016)	
TOLERANCES	<input type="checkbox"/>		
.X ± ---	<input type="checkbox"/>		
.XX ± ---	<input type="checkbox"/>	DRAWN BY/DATE	MATERIAL/HEAT TREAT
.XXX ± ---	<input type="checkbox"/>	RAF 2-9-96	-
< ± +	<input type="checkbox"/>	CHECKED BY/DATE	-
UNSPECIFIED RADII ARE:	<input type="checkbox"/>	ENG'G BY/DATE	RVA 2-22-96
UNSPECIFIED DRAFT ANGLES ARE:	<input type="checkbox"/>	METALLURGY BY/DATE	-
-	<input type="checkbox"/>	TITLE	
THIRD ANGLE PROJECTION	<input checked="" type="checkbox"/>	J2 MOTOR PORT INSTALLATION	
C SIZE	<input type="checkbox"/>	NUMBER	A-818-025
DO NOT SCALE	<input type="checkbox"/>	SCALE	2/1 SHEET 1 OF 1
ARTHEMETICAL AVERAGE	<input type="checkbox"/>		