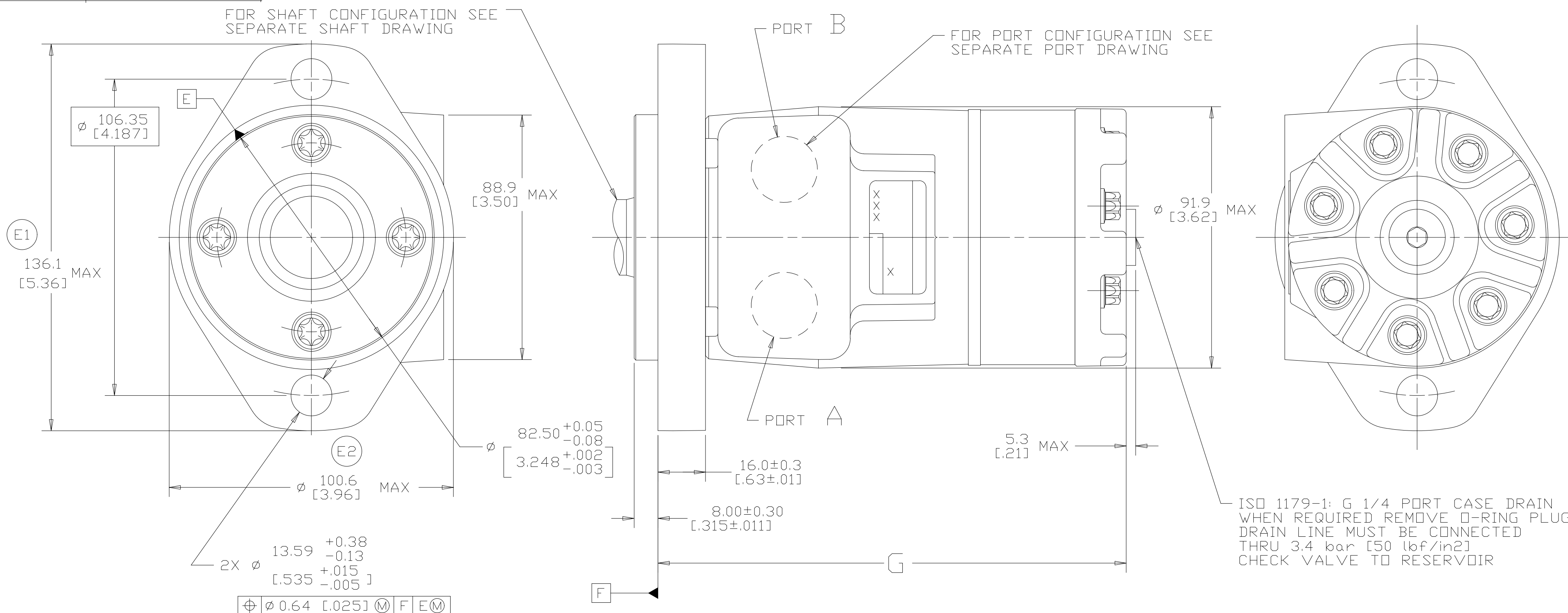


DISPL CODE	MAX	
022	133.0	[5.24]
025	133.9	[5.27]
030	135.4	[5.33]
036	136.6	[5.38]
040	137.9	[5.43]
049	141.1	[5.56]
062	145.0	[5.71]
080	150.4	[5.92]
096	155.3	[6.11]
119	162.0	[6.38]
149	171.0	[6.73]
187	182.4	[7.18]
226	194.1	[7.64]
298	215.7	[8.49]
018	133.0	[5.24]

SYM	REVISION	BY	DATE	ECN
A	ENGINEERING RELEASE	RAF	2-8-94	M11208
B	(2B) DIM 5.3 [.21] MAX WAS 3.8 [.15] MAX	JMM	10-18-94	25844
C	-1)(3C) 88.9 [3.50] MAX WAS 84.6 [3.33] MAX -2)(2C) $\phi$ 91.9 [3.62] MAX WAS $\phi$ 87.9 [3.46] MAX	JMM	10-26-94	26147
D	(4B) $\phi$ 13.59+0.38/-0.13 [.535+.015/-0.005] WAS $\phi$ 13.59 $\pm$ 0.13 [.535 $\pm$ .005]	AGJ	1-28-02	39853
E	-1)(4C) WAS 131.4 [5.17] MAX. -2)(4B) WAS 97.3 [3.83] MAX.	AAK	04-07-04	46856
F	-1)(4D)UPDATED TABLE FOR DISPL CODE -2)(4A)NOTE 2 MOUNTING FLANGE WAS "M"	PM	03-27-07	0004355
G	-1)(4D)UPDATED TABLE FOR DISPL CODE -2)(4C)136.1[5.36] WAS 134.1[5.28] -3)(4B) $\phi$ 100.6[3.96] WAS $\phi$ 98.6[3.88] -4) DRAWING UPDATED TO ASME Y14.5M 1994 STANDARD	AAB	06-06-11	M82377
H	(4A) NOTE 3 WAS CASE DRAIN :2...	SSP	12-26-15	0068068_1
J	(4C) ADDED DISPLACEMENT CODE 018	SMK	6-4-2021	0131587

FOR SHAFT CONFIGURATION SEE SEPARATE SHAFT DRAWING

FOR PORT CONFIGURATION SEE SEPARATE PORT DRAWING



$\oplus \phi$  0.64 [0.025] (M) F E (M)

NOTE

- ROTATION STANDARD WHEN FACING SHAFT END OF MOTOR SHAFT TO ROTATE CLOCKWISE WHEN PORT "A" IS PRESSURIZED COUNTERCLOCKWISE WHEN PORT "B" IS PRESSURIZED REVERSE WHEN FACING SHAFT END OF MOTOR, SHAFT TO ROTATE CLOCKWISE WHEN PORT "B" IS PRESSURIZED COUNTERCLOCKWISE WHEN PORT "A" IS PRESSURIZED
- MOUNTING FLANGE MA = STANDARD 2 BOLT:  $\phi$  82.50 [3.248] X 8.13 [3.20] PILOT  $\phi$  13.59 [.535] HOLES ON  $\phi$  106.35 [4.187] BOLT CIRCLE WITHOUT O-RING GROOVE
- CASE DRAIN 02 = G 1/4 PORT (END CAP)

REVIEWED FOR CLASSIFICATION PER ESP-042

UNLESS OTHERWISE SPECIFIED ALL DIMENSIONS ARE IN INCHES		DRAWING BASED ON ASME Y14.5M-1994	
MILLIMETERS (INCHES)	<input type="checkbox"/>	THE REPRODUCTION, DISTRIBUTION AND UTILIZATION OF THIS DOCUMENT AS WELL AS THE COMMUNICATION OF ITS CONTENTS TO OTHER WITHOUT EXPLICIT AUTHORIZATION IS PROHIBITED. OFFENDERS WILL BE HELD LIABLE FOR THE PAYMENT OF DAMAGES. ALL RIGHT RESERVED IN THE EVENT OF THE GRANT OF A PATENT, UTILITY MODEL OR DESIGN. (PER ISO 16016)	
TOLERANCES	<input checked="" type="checkbox"/>		
.X $\pm$ ----			
.XX $\pm$ ----		DRAWN BY/DATE	RAF 2/4/94
.XXX $\pm$ ----		CHECKED BY/DATE	SDR 2/23/94
< $\pm$ .---		ENGRG BY/DATE	RVA 3/3/94
UNSPECIFIED RADII ARE:		METALLURGY BY/DATE	----
----		TITLE	
UNSPECIFIED DRAFT ANGLES ARE:		T MOTOR INSTALLATION	
----		MICROINCHES (MICROINCHES)	<input type="checkbox"/>
C SIZE	<input checked="" type="checkbox"/>	NUMBER	A-821-019
THIRD ANGLE PROJECTION		SCALE	1/1 SHEET 1 OF 1
DO NOT SCALE		ARITHMETICAL AVERAGE	<input checked="" type="checkbox"/>