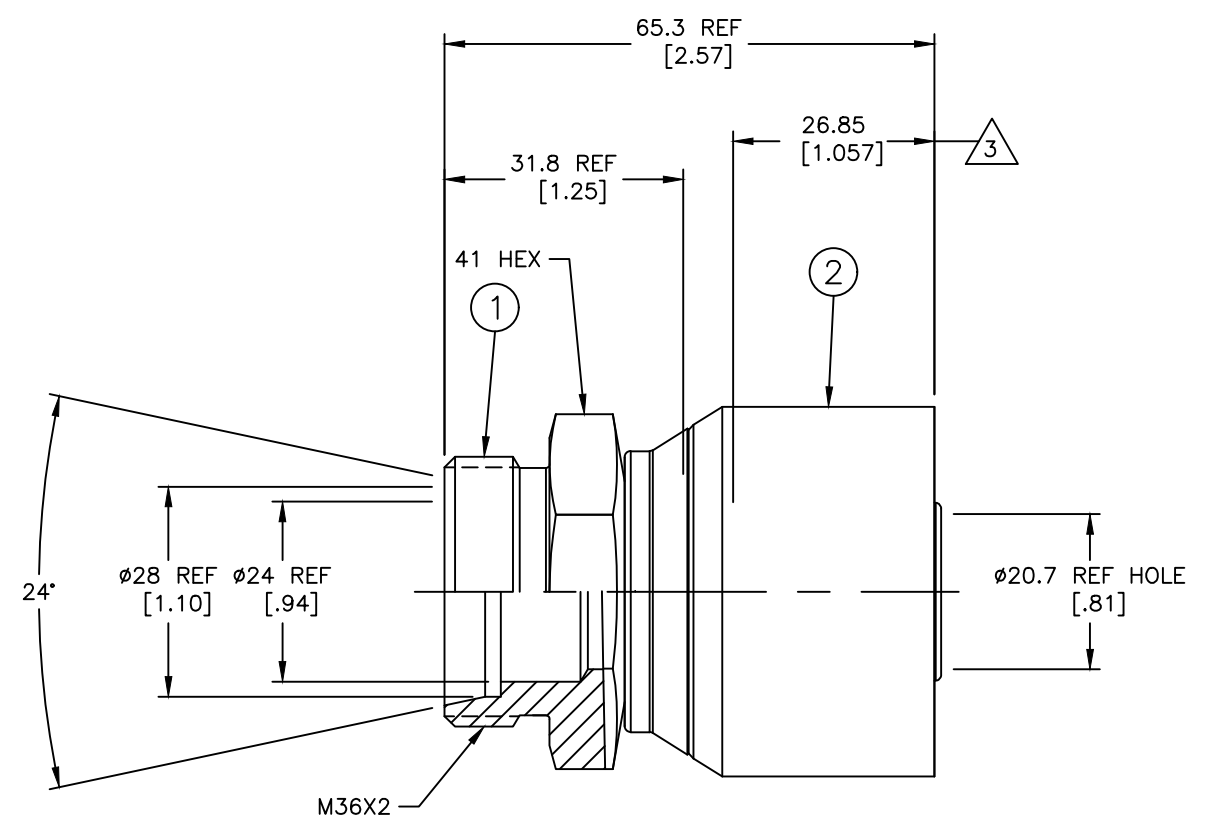


REVISIONS			
REV	DESCRIPTION	DATE	APPROVED



METRIC

REV. SH. 16Z-28A DWG. NO.

16Z-28A	1S25DK16	16Z-COO			
PART NUMBER	① NIPPLE	② SOCKET			

LIST OF MATERIALS

ITEM NO.	MATERIAL
1	STEEL
2	STEEL

DRAWN LWRAGGS CHECKED W.R.HYDE APPROVED W.R.HYDE RELEASE DATE 2005-02-17 EN-F27209 DP-1612 THIRD ANGLE PROJECTION	FLUID CONVEYANCE DIVISION DRAWING TITLE FITTING ASSEMBLY 24° METRIC MALE LD, Z SERIES
SCALE 2/1 DIST U CAGE CODE 01276 SHEET	SIZE A2 DRAWING NUMBER 16Z-28A REV

- ③ STAMP "TRADEMARK" AND "16Z-28A" PER ES 70. (LOCATE AS SHOWN)
- 2. CRIMP SOCKET PER ES 2409.
- 1. DIMENSIONS ARE IN MILLIMETERS [INCH].

THE REPRODUCTION, DISTRIBUTION AND UTILIZATION OF THIS DOCUMENT AS WELL AS THE COMMUNICATION OF ITS CONTENTS TO OTHER WITHOUT EXPLICIT AUTHORIZATION IS PROHIBITED. OFFENDERS WILL BE HELD LIABLE FOR THE PAYMENT OF DAMAGES. ALL RIGHT RESERVED IN THE EVENT OF THE GRANT OF A PATENT, UTILITY MODEL OR DESIGN. (PER ISO 16016)