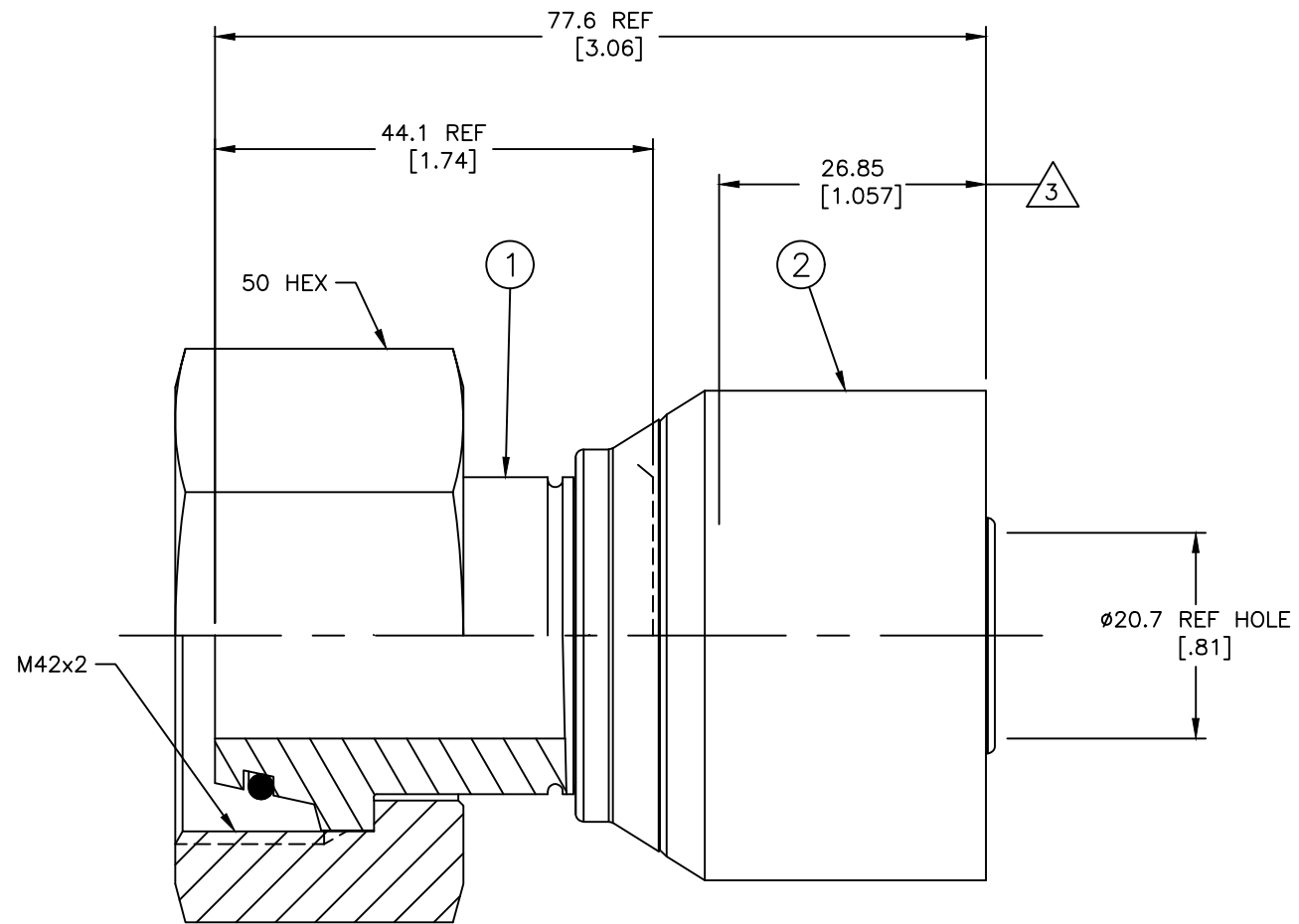


REVISIONS			
REV	DESCRIPTION	DATE	APPROVED



METRIC

REV.
SH.
16Z-80C
DWG. NO.

16C-80C	1S25DS16	16Z-COO			
PART NUMBER	① NIPPLE ASSEMBLY	② SOCKET			

LIST OF MATERIALS

ITEM NO.	MATERIAL
1	STEEL
2	STEEL

DRAWN LWRAGGS CHECKED W.R.HYDE APPROVED W.R.HYDE RELEASE DATE 2005-02-22 EN-F27210 DP-1612 THIRD ANGLE PROJECTION	FLUID CONVEYANCE DIVISION DRAWING TITLE FITTING ASSEMBLY 24° DKO METRIC SWIVEL HD, Z SERIES
SCALE 2/1 DIST U CAGE CODE 01276 SHEET	SIZE A2 DRAWING NUMBER 16Z-80C REV

- ③ STAMP "TRADEMARK" AND "16Z-80C" PER ES 70. (LOCATE AS SHOWN)
- 2. CRIMP SOCKET PER ES 2409.
- 1. DIMENSIONS ARE IN MILLIMETERS [INCH].

THE REPRODUCTION, DISTRIBUTION AND UTILIZATION OF THIS DOCUMENT AS WELL AS THE COMMUNICATION OF ITS CONTENTS TO OTHER WITHOUT EXPLICIT AUTHORIZATION IS PROHIBITED. OFFENDERS WILL BE HELD LIABLE FOR THE PAYMENT OF DAMAGES. ALL RIGHT RESERVED IN THE EVENT OF THE GRANT OF A PATENT, UTILITY MODEL OR DESIGN. (PER ISO 15016)