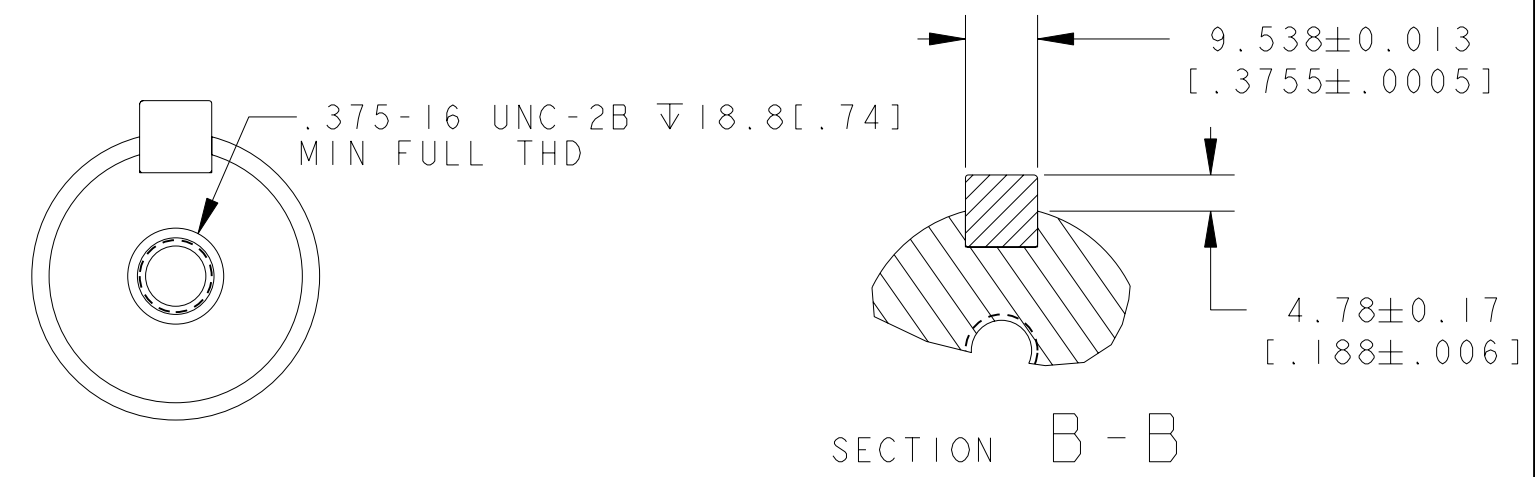


REV	DESCRIPTION	BY	CHK	DATE	ECN / MPS
A	RELEASE FOR SAMPLES AND ESTIMATES	PM		10/31/05	M65231A
B	THREAD CALL OUT WAS 1.125-18 UNEF-2A	PM		2/16/06	X-54629
C	REVISED	PM		03/09/06	X-54953
D	ENGINEERING RELEASE	SKS		5-11-04	M61164
E	ADDED $\varnothing 38.07 \pm 0.03 [1.499 \pm .001]$	PM		8-23-06	56654
F	-1) $106.2 \pm 0.8 [4.18 \pm .03]$ WAS $107.7 \pm 0.8 [4.24 \pm .03]$ -2) $60.2 \pm 0.8 [2.37 \pm .03]$ WAS $61.7 \pm 0.8 [2.43 \pm .03]$ -3) REMOVED DATUM <span style="border: 1px solid black; padding: 2px;">-A-</span>	SMT	KKS	10-07-08	ECR11946



REVIEWED FOR CLASSIFICATION PER ESP-042

NOTE:  
 1 MOUNTING TYPE : AA  
 2 OUTPUT SHAFT : 01

THE REPRODUCTION, DISTRIBUTION, AND UTILIZATION OF THIS DOCUMENT, AS WELL AS THE COMMUNICATION OF ITS CONTENTS TO OTHERS WITHOUT EXPLICIT AUTHORIZATION IS PROHIBITED. OFFENDERS WILL BE HELD LIABLE FOR THE PAYMENT OF DAMAGES. ALL RIGHTS RESERVED IN THE EVENT OF THE GRANT OF A PATENT, UTILITY MODEL, OR DESIGN. (PER ISO 16016)

UNLESS OTHERWISE SPECIFIED ALL DIMENSIONS ARE IN INCHES <input checked="" type="checkbox"/> MILLIMETERS (INCHES) <input type="checkbox"/>	DRAWING BASED ON ANSI Y14.5M-1982	
	THE REPRODUCTION, DISTRIBUTION, AND UTILIZATION OF THIS DOCUMENT, AS WELL AS THE COMMUNICATION OF ITS CONTENTS TO OTHERS WITHOUT EXPLICIT AUTHORIZATION IS PROHIBITED. OFFENDERS WILL BE HELD LIABLE FOR THE PAYMENT OF DAMAGES. ALL RIGHTS RESERVED IN THE EVENT OF THE GRANT OF A PATENT, UTILITY MODEL, OR DESIGN. (PER ISO 16016)	
TOLERANCES .X ± 0.1 .XX ± 0.01 .XXX ± 0.001 ∠ ± 0.5°	DRAWN PM BY/DATE 11/10/2005	MATERIAL/HEAT TREAT -
UNSPECIFIED RADII ARE: -	CHECKED AGJ BY/DATE 11/12/2005	TITLE DELTA MOTOR SHAFT INSTALLATION
UNSPECIFIED DRAFT ANGLES ARE: °	ENGRG TIM BY/DATE 11/12/2005	NUMBER A-2824-001
B SIZE	THIRD ANGLE PROJECTION DO NOT SCALE	SCALE 1/1 SHEET 1 OF 1

