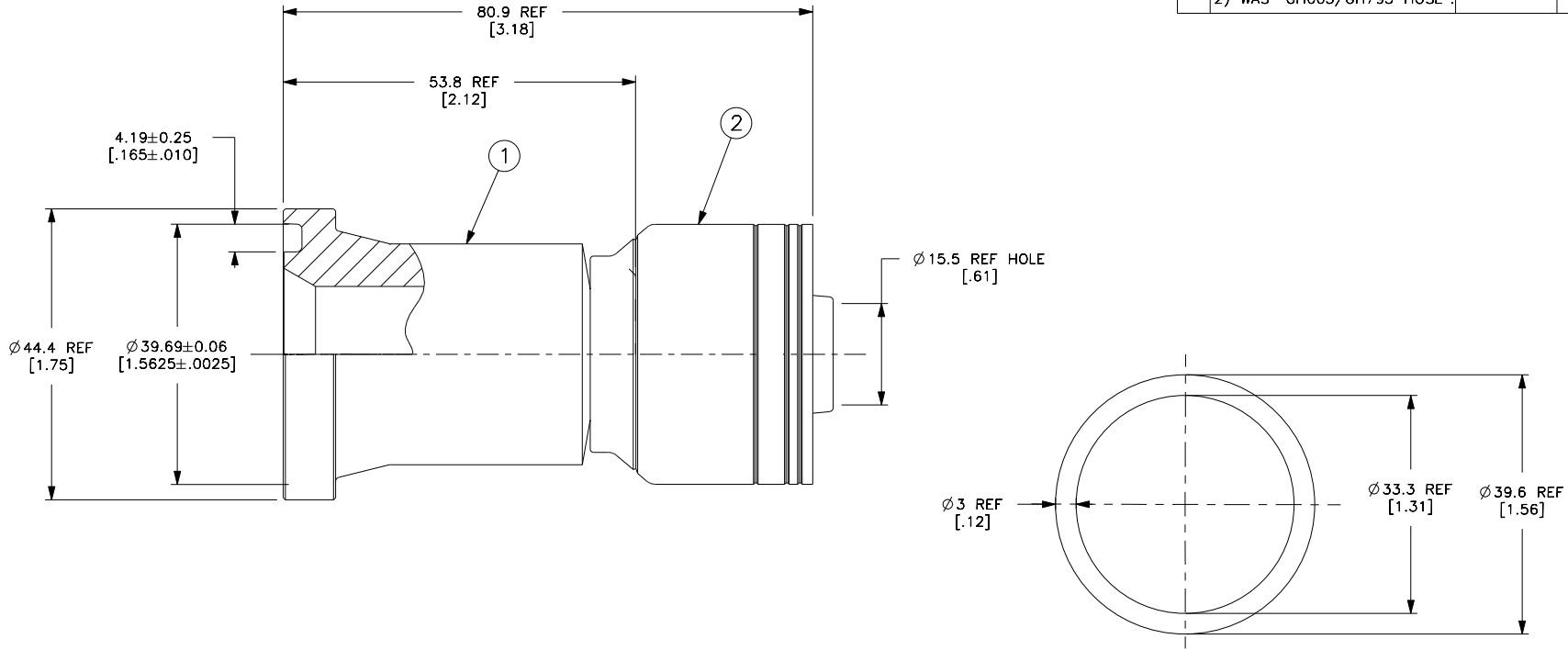


REVISIONS			
REV	DESCRIPTION	DATE	APPROVED
C	REDRAWN ON PRO-E. UPDATED TO LATEST FORMAT AND DIMENSION STYLE. 1) ADDED WEATHERHEAD PART NUMBER. 2) WAS "GH663/GH793 HOSE".	2007-11-02 DDP/ADN	0007765-ECO DP-1693



2 O-RING DETAIL

METRIC

- 3. DIMENSIONS ARE IN MILLIMETERS [INCHES].
- △ O-RING SHOWN FOR REFERENCE ONLY. SUPPLIED BUT NOT FURNISHED WITH ASSEMBLY.
- 1. ASSEMBLE SOCKET PER ACES 2813.

12Z-G16	1A16FL12	1S16FL12	1A12		
WEATHERHEAD PART NUMBER	AEROQUIP PART NUMBER	① NIPPLE	② SOCKET		

LIST OF MATERIALS		DRAWING TITLE	
ITEM NO.	MATERIAL	FITTING ASSEMBLY	
1	STEEL	SPLIT FLANGE TYPE (CODE 61).	
2	STEEL	1 AND 2 WIRE BRAIDED HOSE	
		SIZE	DRAWING NUMBER
		A2	1A16FL12
		SCALE	SHEET
		2/1	1

DRAWN: D. POL  
 CHECKED: A. NAGARKATTI  
 APPROVED: A. NAGARKATTI  
 RELEASE DATE: 2007-11-02  
 0007765-ECO  
 DP-1693

FLUID CONVEYANCE DIVISION  
 DRAWING TITLE: FITTING ASSEMBLY  
 SPLIT FLANGE TYPE (CODE 61).  
 1 AND 2 WIRE BRAIDED HOSE

THIRD ANGLE PROJECTION  
 SCALE: 2/1  
 DIST: U  
 PAGE CODE: 01276  
 SHEET: 1

REV. C  
 SH. 1  
 1A16FL12  
 DWG. NO.

THE REPRODUCTION, DISTRIBUTION AND UTILIZATION OF THIS DOCUMENT AS WELL AS THE COMMUNICATION OF ITS CONTENTS TO OTHERS WITHOUT EXPLICIT AUTHORIZATION IS PROHIBITED. OFFENDERS WILL BE HELD LIABLE FOR THE PAYMENT OF DAMAGES. ALL RIGHTS RESERVED IN THE EVENT OF THE GRANT OF A PATENT, UTILITY MODEL OR DESIGN. (PER ISO 15014)