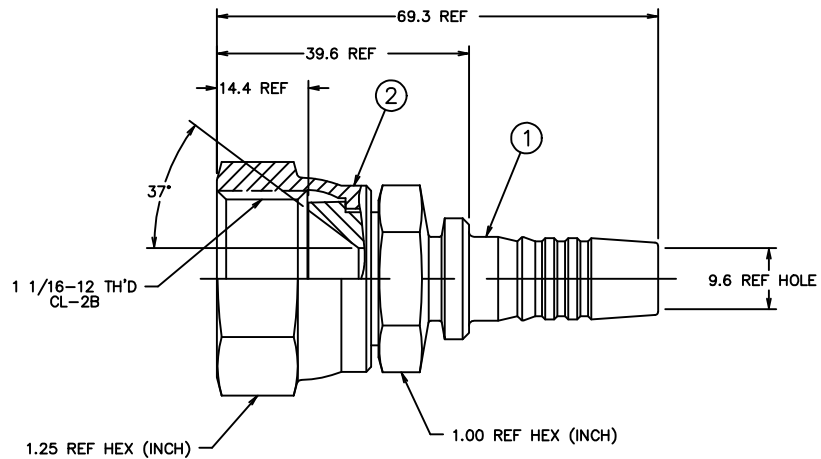


THE REPRODUCTION, DISTRIBUTION AND UTILIZATION OF THIS DOCUMENT AS WELL AS THE COMMUNICATION OF ITS CONTENTS TO OTHER WITHOUT EXPRESS AUTHORIZATION IS PROHIBITED. OFFENDERS WILL BE HELD LIABLE FOR THE PAYMENT OF DAMAGES. ALL RIGHT RESERVED IN THE EVENT OF THE GRANT OF A PATENT, UTILITY MODEL OR DESIGN. (PER ISO 16016)

| REVISIONS | | | |
|-----------|---|---------|--------------------|
| REV | DESCRIPTION | DATE | APPROVED |
| D | REDRAWN - SUPERSEDES 1SA_FJ_SHEET 1/2 REV. C FOR 1SA12FJ8 (1)NOTE #1 WAS: CRIMP NUT PER ACES 2409P2 | 2-20-95 | EN-F15512 DP-24900 |



| | |
|------|------|
| 69.3 | 2.73 |
| 39.6 | 1.56 |
| 14.4 | .57 |
| 9.6 | .38 |
| MM | INCH |

CONVERSION

METRIC

CONVERTED DRAWING CADAM to AutoCAD 18/98

DWG. NO. 1SA12FJ8 SH. REV. D

| | | | | | |
|----------------------|---------------|--------------------------|--|----------------------------|----------|
| 1SA12FJ8 | 1F4000A1208-S | 210204-12S | | | |
| AEROQUIP PART NUMBER | ① NIPPLE | ② NUT | | | |
| LIST OF MATERIALS | | | | | |
| ITEM NO. | MATERIAL | DRAWN R. WILLIAMS | FLUID CONVEYANCE DIVISION | | |
| 1 | STEEL | CHECKED R.D. GARRETT | | | |
| 2 | STEEL | APPROVED R.D. GARRETT | DRAWING TITLE NIPPLE ASSEMBLY SAE 37° SWIVEL, 2781 HOSE | | |
| | | RELEASE DATE 2-20-95 | | | |
| | | EN-F15512 DP-24900 | SIZE C | DRAWING NUMBER 1SA12FJ8 | REV D |
| | | SCALE 2/1 | DIST U | PACKAGE CODE 01276 | SHEET NO |

1. CRIMP NUT PER ACES 2813. (D)