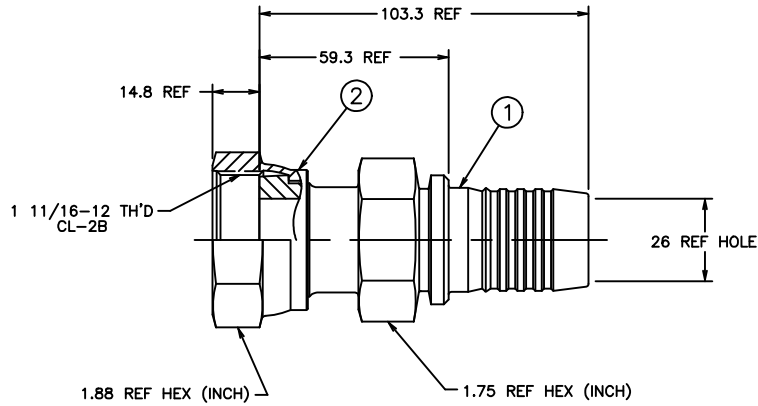


THE REPRODUCTION, DISTRIBUTION AND UTILIZATION OF THIS DOCUMENT AS WELL AS THE COMMUNICATION OF ITS CONTENTS TO OTHERS WITHOUT EXPRESS AUTHORIZATION IS PROHIBITED. OFFENDERS WILL BE HELD LIABLE FOR THE PAYMENT OF DAMAGES. ALL RIGHTS RESERVED IN THE EVENT OF THE GRANT OF A PATENT, UTILITY MODEL OR DESIGN. (PER ISO 18016)

REVISIONS			
REV	DESCRIPTION	DATE	APPROVED
D	REDRAWN - SUPERSEDES 1SA_FR SHEET 1/2 REV.C FOR 1SA20FR20	10-25-95	EN-F16048 DP-24900



103.3	4.07
59.3	2.33
26	1.02
14.8	.58
MM	INCH

CONVERSION

METRIC

CONVERTED DRAWING CADAM to AutoCAD 18/98

1SA20FR20	1F40010A2020-S	FC1473-20S			
AEROQUIP PART NUMBER	①	NIPPLE	②	NUT	
LIST OF MATERIALS					
ITEM NO.	MATERIAL		DRAWN R.D.GARRETT		
1	STEEL		CHECKED M.MOLINA		
2	STEEL		APPROVED R.D.GARRETT		
			RELEASE DATE 10-26-95		
			EN-F16048 DP-24900		
			SIZE C	DRAWING NUMBER 1SA20FR20	REV D
			SCALE 1/1	DIST U	CAGE CODE 01276
			SHEET NO		

1. CRIMP NUT PER ACES 2409P1.

DWG. NO. 1SA20FR20 SHE. REV. D