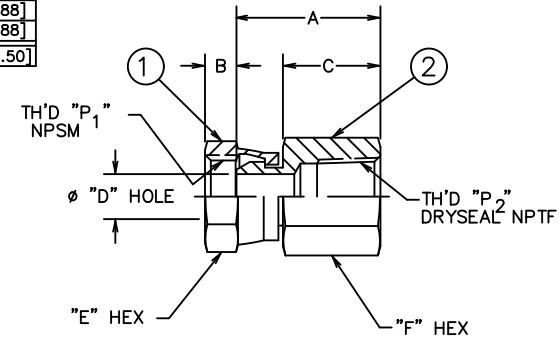


| AEROQUIP PART NUMBER | WEATHERHAED PART NUMBER | TH'D "P <sub>1</sub> " | TH'D "P <sub>2</sub> " | A REF       | B REF      | C REF       | D REF       | E REF       | F REF       |
|----------------------|-------------------------|------------------------|------------------------|-------------|------------|-------------|-------------|-------------|-------------|
| 2046-2-2S            | 9255X2X2                | 1/8-27                 | 1/8-27                 | 23.8 [.94]  | 4.8 [.19]  | 14.2 [.56]  | 3.8 [.15]   | 14.2 [.56]  | 14.2 [.56]  |
| 2046-2-4S            | 9255X2X4                | 1/8-27                 | 1/4-18                 | 26.9 [1.06] | 4.8 [.19]  | 17.5 [.69]  | 3.8 [.15]   | 14.2 [.56]  | 19.1 [.75]  |
| 2046-4-2S            | 9255X4X2                | 1/4-18                 | 1/8-27                 | 26.4 [1.04] | 6.4 [.25]  | 15.2 [.60]  | 5.6 [.22]   | 17.5 [.69]  | 14.2 [.56]  |
| 2046-4-4S            | 9255X4X4                | 1/4-18                 | 1/4-18                 | 33 [1.30]   | 6.4 [.25]  | 21.8 [.86]  | 5.6 [.22]   | 17.5 [.69]  | 19.1 [.75]  |
| 2046-4-6S            | 9255X4X6                | 1/4-18                 | 3/8-18                 | 33.2 [1.31] | 6.4 [.25]  | 22.1 [.87]  | 5.6 [.22]   | 17.5 [.69]  | 22.3 [.88]  |
| 2046-6-6S            | 9255X6X6                | 3/8-18                 | 3/8-18                 | 33.8 [1.33] | 6.4 [.25]  | 22.6 [.89]  | 8.6 [.34]   | 22.3 [.88]  | 22.3 [.88]  |
| 2046-6-8S            | 9255X6X8                | 3/8-18                 | 1/2-14                 | 36.8 [1.45] | 6.4 [.25]  | 25.9 [1.02] | 8.6 [.34]   | 22.3 [.88]  | 26.9 [1.06] |
| 2046-8-8S            | 9255X8X8                | 1/2-14                 | 1/2-14                 | 39.6 [1.56] | 8.4 [.33]  | 27.4 [1.08] | 11.7 [.46]  | 25.4 [1.00] | 26.9 [1.06] |
| 2046-12-12S          | 9255X12X12              | 3/4-14                 | 3/4-14                 | 44.9 [1.77] | 7.6 [.30]  | 29.5 [1.16] | 16.3 [.64]  | 31.8 [1.25] | 31.8 [1.25] |
| 2046-16-16S          | 9255X16X16              | 1-11 1/2               | 1-11 1/2               | 52.3 [2.06] | 9.7 [.38]  | 36.6 [1.44] | 21 [.83]    | 38.1 [1.50] | 38.1 [1.50] |
| 2046-20-20S          | 9255X20X20              | 1 1/4-11 1/2           | 1 1/4-11 1/2           | 52.3 [2.06] | 10.4 [.41] | 37.3 [1.47] | 27.4 [1.08] | 47.8 [1.88] | 47.8 [1.88] |
| 2046-24-24S          | 9255X24X24              | 1 1/2-11 1/2           | 1 1/2-11 1/2           | 55.4 [2.18] | 10.7 [.42] | 37.9 [1.49] | 33.5 [1.32] | 53.9 [2.12] | 53.9 [2.12] |
| 2046-32-32S          | 9255X32X32              | 2-11 1/2               | 2-11 1/2               | 58.4 [2.30] | 12.5 [.49] | 40.1 [1.58] | 45.7 [1.80] | 66.5 [2.62] | 66.5 [2.62] |
| 2046-8-6S            | 9255X8X6                | 1/2-14                 | 3/8-18                 | 35.3 [1.39] | 8.4 [.33]  | 23.1 [.91]  | 11.7 [.46]  | 25.4 [1.00] | 22.3 [.88]  |
| 2046-6-4S            | 9255X6X4                | 3/8-18                 | 1/4-18                 | 33 [1.30]   | 6.4 [.25]  | 21.8 [.86]  | 8.6 [.34]   | 22.3 [.88]  | 22.3 [.88]  |
| 2046-12-16S          | 9255X12X16              | 3/4-14                 | 1-11 1/2               | 51.8 [2.04] | 7.6 [.30]  | 36.6 [1.44] | 16.3 [.64]  | 31.8 [1.25] | 38.1 [1.50] |

| REVISIONS |  |                   |            |
|-----------|--|-------------------|------------|
| REV.      | DESCRIPTION  | DATE              | APPROVED   |
| AU        | REDRAWN, CREATED ALTERNATIVE LANGUAGE DRAWING<br>1) ADDED ALTERNATIVE LANGUAGE TEXT BLOCK. | 2019-12-31<br>KSD | CO-0198170 |



(AU)  
 ALTERNATIVE LANGUAGE DRAWING  
 ALL SHEETS MUST BE IDENTICAL  
 AND WITH SAME REVISION LEVEL

METRIC

|                      |                         |            |               |  |  |
|----------------------|-------------------------|------------|---------------|--|--|
| 2046-12-16S          | 9255X12X16              | 2045-3-12S | 2046-1-12-16S |  |  |
| 2046-6-4S            | 9255X6X4                | 2045-3-6S  | 2046-1-6-4S   |  |  |
| 2046-8-6S            | 9255X8X6                | 2045-3-8S  | 2046-1-8-6S   |  |  |
| 2046-32-32S          | 9255X32X32              | 2045-3-32S | 2046-1-32S    |  |  |
| 2046-24-24S          | 9255X24X24              | 2045-3-24S | 2046-1-24S    |  |  |
| 2046-20-20S          | 9255X20X20              | 2045-3-20S | 2046-1-20S    |  |  |
| 2046-16-16S          | 9255X16X16              | 2045-3-16S | 2046-1-16S    |  |  |
| 2046-12-12S          | 9255X12X12              | 2045-3-12S | 2046-1-12S    |  |  |
| 2046-8-8S            | 9255X8X8                | 2045-3-8S  | 2046-1-8S     |  |  |
| 2046-6-8S            | 9255X6X8                | 2045-3-6S  | 2046-1-6-8S   |  |  |
| 2046-6-6S            | 9255X6X6                | 2045-3-6S  | 2046-1-6S     |  |  |
| 2046-4-6S            | 9255X4X6                | 2045-3-4S  | 2046-1-4-6S   |  |  |
| 2046-4-4S            | 9255X4X4                | 2045-3-4S  | 2046-1-4S     |  |  |
| 2046-4-2S            | 9255X4X2                | 2045-3-4S  | 2046-1-4-2S   |  |  |
| 2046-2-4S            | 9255X2X4                | 2045-3-2S  | 2046-1-2-4S   |  |  |
| 2046-2-2S            | 9255X2X2                | 2045-3-2S  | 2046-1-2S     |  |  |
| AEROQUIP PART NUMBER | WEATHERHEAD PART NUMBER | ① NUT      | ② ADAPTER     |  |  |

LIST OF MATERIALS

| ITEM NO. | MATERIAL | DRAWN<br>K. DHADSE | CHECKED<br>K. DHADSE | APPROVED<br>A. SHINDE | RELEASE DATE<br>2019-12-31 | CO-0198170 |
|----------|----------|--------------------|----------------------|-----------------------|----------------------------|------------|
| 1        | STEEL    |                    |                      |                       |                            |            |
| 2        | STEEL    |                    |                      |                       |                            |            |

**FLUID CONVEYANCE DIVISION**

**DRAWING TITLE**

ADAPTER  
FEMALE ADAPTER UNION (FEMALE)  
(SAE #140131)

SIZE: A2      DRAWING NUMBER: 2046      REV: AU

SCALE: NONE      DIST: U      CAGE CODE: 01276      SHEET: 1

THE REPRODUCTION, DISTRIBUTION AND UTILIZATION OF THIS DOCUMENT AS WELL AS THE COMMUNICATION OF ITS CONTENTS TO OTHERS WITHOUT EXPLICIT AUTHORIZATION IS PROHIBITED. OFFENDERS WILL BE HELD LIABLE FOR THE PAYMENT OF DAMAGES. ALL RIGHT RESERVED IN THE EVENT OF A PATENT, UTILITY MODEL OR DESIGN. (PER ISO 15001)

**ADAPTER**

FEMALE ADAPTER UNION (FEMALE)

(SAE #140131)

2. NUT MUST SWIVEL.

1. DIMENSIONS ARE IN MILLIMETERS [INCH].