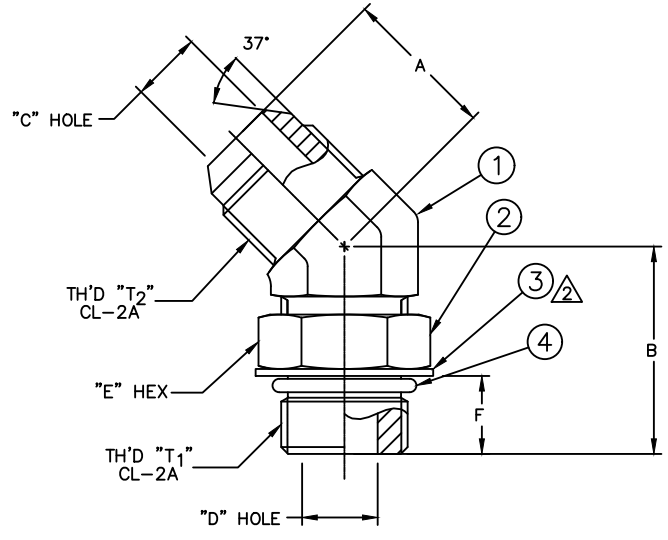


PART NUMBER	WEATHERHEAD CATALOG NUMBER	TH'D "T ₁ "	TH'D "T ₂ "	A REF	B REF	C REF	D REF	E REF (INCH)	F MIN
2061-4-4S	C5365X4	7/16-20	7/16-20	18.3[.72]	26.7[1.05]	4.3[.17]	4.3[.17]	9/16	9.35[.368]
2061-5-5S	C5365X5	1/2-20	1/2-20	19.6[.77]	26.7[1.05]	5.8[.23]	5.8[.23]	5/8	9.35[.368]
2061-6-4S	C5365X4X6	9/16-18	7/16-20	20.8[.82]	29[1.14]	4.3[.17]	7.6[.30]	11/16	10.5[.415]
2061-6-6S	C5365X6	9/16-18	9/16-18	21.1[.83]	29[1.14]	7.6[.30]	7.6[.30]	11/16	10.5[.415]
2061-6-8S	C5365X8X6	9/16-18	3/4-16	24.9[.98]	30.5[1.20]	9.9[.39]	7.6[.30]	11/16	10.5[.415]
2061-8-6S	C5365X6X8	3/4-16	9/16-18	22.1[.87]	33[1.30]	7.6[.30]	9.9[.39]	7/8	12[.472]
2061-8-8S	C5365X8	3/4-16	3/4-16	24.9[.98]	33[1.30]	9.9[.39]	9.9[.39]	7/8	12[.472]
2061-8-10S	C5365X10X8	3/4-16	7/8-14	28.2[1.11]	34.5[1.36]	12.2[.48]	9.9[.39]	7/8	12[.472]
2061-10-8S	C5365X8X10	7/8-14	3/4-16	25.2[.99]	38.6[1.52]	9.9[.39]	12.2[.48]	1	13.8[.543]
2061-10-10S	C5365X10	7/8-14	7/8-14	28.2[1.11]	38.6[1.52]	12.2[.48]	12.2[.48]	1	13.8[.543]
2061-10-12S	C5365X12X10	7/8-14	1 1/16-12	32.5[1.28]	39.9[1.57]	15.5[.61]	12.2[.48]	1	13.8[.543]
2061-12-8S	C5365X8X12	1 1/16-12	3/4-16	26.4[1.04]	43.9[1.73]	9.9[.39]	15.5[.61]	1 1/4	16.2[.636]
2061-12-10S	C5365X10X12	1 1/16-12	7/8-14	29.5[1.16]	43.9[1.73]	12.2[.48]	15.5[.61]	1 1/4	16.2[.636]
2061-12-12S	C5365X12	1 1/16-12	1 1/16-12	32.5[1.28]	43.9[1.73]	15.5[.61]	15.5[.61]	1 1/4	16.2[.636]
2061-12-16S	C5365X16X12	1 1/16-12	1 5/16-12	37.3[1.47]	47.2[1.86]	21.3[.84]	15.5[.61]	1 1/4	16.2[.636]
2061-14-14S	C5365X14	1 3/16-12	1 3/16-12	36.8[1.45]	47.2[1.86]	18.3[.72]	18.3[.72]	1 3/8	16.2[.636]
2061-16-12S	C5365X12X16	1 5/16-12	1 1/16-12	36.1[1.42]	47.2[1.86]	15.5[.61]	21.3[.84]	1 1/2	16.2[.636]
2061-16-16S	C5365X16	1 5/16-12	1 5/16-12	37.3[1.47]	47.2[1.86]	21.3[.84]	21.3[.84]	1 1/2	16.2[.636]
2061-16-20S	C5365X20X16	1 5/16-12	1 5/8-12	40.4[1.59]	48.5[1.91]	27.4[1.08]	21.3[.84]	1 1/2	16.2[.636]
2061-20-16S	C5365X16X20	1 5/8-12	1 5/16-12	39.1[1.54]	48.5[1.91]	21.3[.84]	27.4[1.08]	1 7/8	16.2[.636]
2061-20-20S	C5365X20	1 5/8-12	1 5/8-12	40.4[1.59]	48.5[1.91]	27.4[1.08]	27.4[1.08]	1 7/8	16.2[.636]
2061-24-24S	C5365X24	1 7/8-12	1 7/8-12	43.7[1.72]	48.5[1.91]	33.3[1.31]	33.3[1.31]	2 1/8	16.2[.636]

REVISIONS			
REV	DESCRIPTION	DATE	APPROVED
AN	(1) ADDED WEATHERHEAD CATALOG NUMBERS	2003-12-01 R.M./W.R.H.	EN-F25476 DP-1513
AP	(1) 2061-6-8S, 2061-24-24S PART NUMBERS ADDED	2009-12-30 SPB/ADN	0038335-ECO
AR	(1) ADDED PART #2061-4-4S. (2) WAS 9.4 [.368].	2014-11-14 PDS/VSP	0103270-ECO
AS	CREATED ALTERNATIVE LANGUAGE DRAWING. 1) ADDED ALTERNATIVE LANGUAGE TEXT BLOCK.	2019-12-18 DMK/VSP	CO-0196420

ALTERNATIVE LANGUAGE DRAWING ALL SHEETS MUST BE IDENTICAL AND WITH SAME REVISION LEVEL

METRIC



WASHER CLINCHED TO FITTING WITH 0.012[.0005] MAXIMUM CLEARANCE TO AN INTERFERENCE FIT.
1. DIMENSIONS ARE IN MILLIMETERS [INCHES].

PART NUMBER	WEATHERHEAD CATALOG NUMBER	ADAPTER BODY	JAM NUT	WASHER	O'RING
2061-24-24S	C5365X24	206104-24-24S	210295-24S	222013-24S	22617-24
2061-20-20S	C5365X20	206104-20-20S	210295-20S	222013-20S	22617-20
2061-20-16S	C5365X16X20	206104-20-16S	210295-20S	222013-20S	22617-20
2061-16-20S	C5365X20X16	206104-16-20S	210295-16S	222013-16S	22617-16
2061-16-16S	C5365X16	206104-16-16S	210295-16S	222013-16S	22617-16
2061-16-12S	C5365X12X16	206104-16-12S	210295-16S	222013-16S	22617-16
2061-14-14S	C5365X14	206104-14-14S	210295-14S	222013-14S	22617-14
2061-12-16S	C5365X16X12	206104-12-16S	210295-12S	222013-12S	22617-12
2061-12-12S	C5365X12	206104-12-12S	210295-12S	222013-12S	22617-12
2061-12-10S	C5365X10X12	206104-12-10S	210295-12S	222013-12S	22617-12
2061-12-8S	C5365X8X12	206104-12-8S	210295-12S	222013-12S	22617-12
2061-10-12S	C5365X12X10	206104-10-12S	210295-10S	222013-10S	22617-10
2061-10-10S	C5365X10	206104-10-10S	210295-10S	222013-10S	22617-10
2061-10-8S	C5365X8X10	206104-10-8S	210295-10S	222013-10S	22617-10
2061-8-10S	C5365X10X8	206104-8-10S	210295-8S	222013-8S	22617-8
2061-8-8S	C5365X8	206104-8-8S	210295-8S	222013-8S	22617-8
2061-8-6S	C5365X6X8	206104-8-6S	210295-8S	222013-8S	22617-8
2061-6-8S	C5365X8X6	206104-6-8S	210295-6S	222013-6S	22617-6
2061-6-6S	C5365X6	206104-6-6S	210295-6S	222013-6S	22617-6
2061-6-4S	C5365X4X6	206104-6-4S	210295-6S	222013-6S	22617-6
2061-5-5S	C5365X5	206104-5-5S	210295-5S	222013-5S	22617-5
2061-4-4S	C5365X4	206104-4-4S	210295-4S	222013-4S	22617-4

LIST OF MATERIALS			
ITEM NO.	MATERIAL	SCALE	DRAWING NUMBER
1	STEEL	NONE	2061-S
2	STEEL		
3	STEEL		
4	NITRILE (BUNA-N)		

DRAWN BY: W.R.HYDE
 CHECKED BY: W.R.HYDE
 APPROVED BY: W.R.HYDE
 RELEASE DATE: 2003-12-01
 EN-F25476
 DP-1513
 THIRD ANGLE PROJECTION

FLUID CONVEYANCE DIVISION
 DRAWING TITLE: ADAPTER
 SAE 37° FLARE-45° STRAIGHT
 THREAD ELBOW (SAE #070320)

SCALE: NONE DIST U CAGE CODE: 01276 SHEET 1 OF 2
 REV: AS

THE REPRODUCTION, DISTRIBUTION AND UTILIZATION OF THIS DOCUMENT AS WELL AS THE COMMUNICATION OF ITS CONTENTS TO OTHERS WITHOUT EXPLICIT AUTHORIZATION IS PROHIBITED. OFFENDERS WILL BE HELD LIABLE FOR THE PAYMENT OF DAMAGES. ALL RIGHT RESERVED IN THE EVENT OF THE GRANT OF A PATENT, UTILITY MODEL OR DESIGN. (PER ISO 16016)