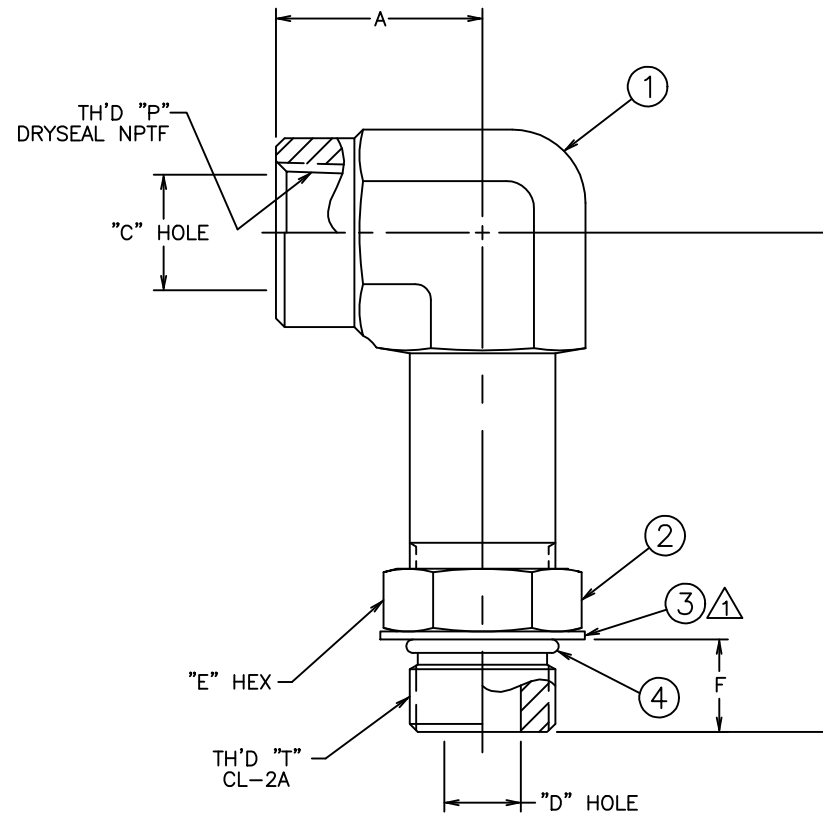


PART NUMBER	TH'D "P"	TH'D "T"	A REF	B REF	C REF	D REF	E REF	F MIN
206804-6-8S	3/8-18	3/4-16	1.02	2.97	.53	.39	.88	.472
206804-8-10S	1/2-14	7/8-14	1.23	3.56	.65	.48	1.00	.543
206804-12-12S	3/4-14	1 1/16-12	1.36	4.12	.85	.61	1.25	.636
206804-16-16S	1-11 1/2	1 5/16-12	1.62	4.64	1.06	.84	1.50	.636

REVISIONS			
REV.	DESCRIPTION	DATE	APPROVED
L	REDRAWN ON CAD—LAST REV. "K" UPDATED TO AGREE WITH DETAIL DRAWINGS (WAS BRAZE DESIGN)	3-2-94	EN-F14667 DAI-17511



206804-16-16S	206807-16-16S	210295-16S	222013-16S	22617-16	
206804-12-12S	206807-12-12S	210295-12S	222013-12S	22617-12	
206804-8-10S	206807-8-10S	210295-10S	222013-10S	22617-10	
206804-6-8S	206807-6-8S	210295-8S	222013-8S	22617-8	
PART NUMBER	① ADAPTER BODY	② JAM NUT	③ WASHER	④ O'RING	

LIST OF MATERIALS

ITEM NO.	MATERIAL	DRAWN	DATE	FLUID CONVEYANCE DIVISION	
1	STEEL	J.G. COGDELL	3-2-94	 DRAWING TITLE ADAPTER FEMALE PIPE - 90° STRAIGHT THREAD LONG ELBOW	
2	STEEL	R.D. GARRETT	3-7-94		
3	STEEL	R.D. GARRETT	3-7-94		
4	NITRILE (BUNA-N)	EN-F14667	3-7-94		
		PROJECT NO. DAI-17511	APC NO.	SIZE	(CAGE) CODE NO.
		DESIGN APPROVED		C	01276
		APPROVED		U	
				DRAWING NUMBER	206804-S
				SHEET	

1. WASHER CLINCHED TO FITTING WITH .0005 INCH MAXIMUM CLEARANCE TO AN INTERFERENCE FIT.

THE REPRODUCTION, DISTRIBUTION AND UTILIZATION OF THIS DOCUMENT AS WELL AS THE COMMUNICATION OF ITS CONTENTS TO OTHER WITHOUT EXPLICIT AUTHORIZATION IS PROHIBITED. OFFENDERS WILL BE HELD LIABLE FOR THE PAYMENT OF DAMAGES. ALL RIGHT RESERVED IN THE EVENT OF THE GRANT OF A PATENT, UTILITY MODEL OR DESIGN. (PER ISO 16016)

CONVERTED DRAWING CADAM to AutoCAD 9/98

DWG. NO. 206804-S SH. L