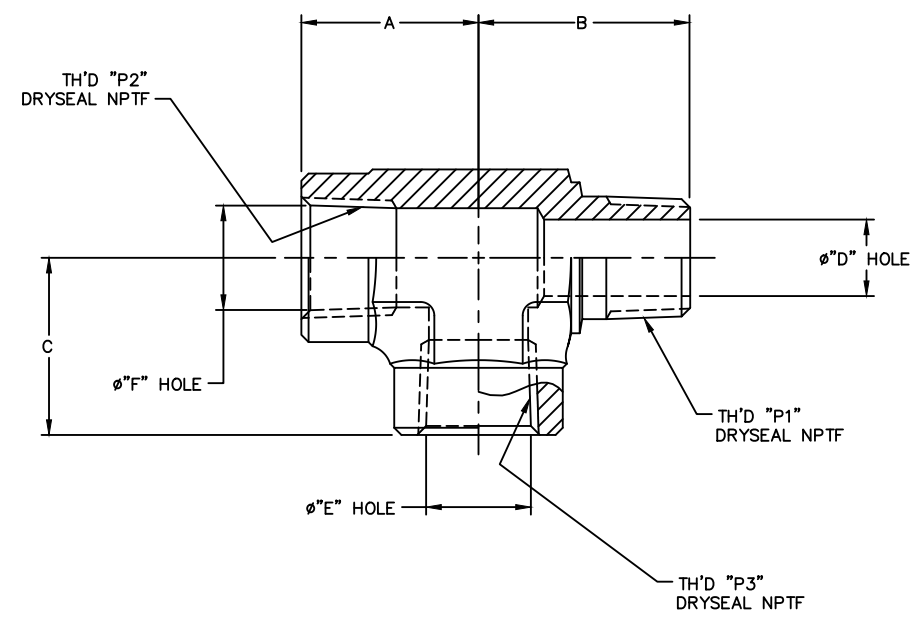


AEROQUIP PART NUMBER	WEATHERHEAD PART NUMBER	TH'D "P1"	TH'D "P2"	TH'D "P3"	A REF	B REF	C REF	D REF	E REF	F REF
2092-2-2S	C3759X2	1/8-27	1/8-27	1/8-27	16.8 [.66]	19.8 [.78]	16.8 [.66]	4.8 [.19]	7.4 [.29]	7.4 [.29]
2092-4-4S	C3759X4	1/4-18	1/4-18	1/4-18	22.4 [.88]	27.7 [1.09]	22.4 [.88]	7.1 [.28]	9.9 [.39]	9.9 [.39]
2092-6-6S	C3759X6	3/8-18	3/8-18	3/8-18	25.9 [1.02]	31 [1.22]	25.9 [1.02]	10.4 [.41]	13.5 [.53]	13.5 [.53]
2092-8-8S	C3759X8	1/2-14	1/2-14	1/2-14	31.2 [1.23]	37.3 [1.47]	31.2 [1.23]	13.5 [.53]	16.5 [.65]	16.5 [.65]
2092-12-8S	C3759X8X12	3/4-14	1/2-14	1/2-14	34.3 [1.35]	40.4 [1.59]	34.3 [1.35]	18.3 [.72]	16.5 [.65]	16.5 [.65]
2092-12-12S	C3759X12	3/4-14	3/4-14	3/4-14	34.5 [1.36]	40.4 [1.59]	34.5 [1.36]	18.3 [.72]	21.6 [.85]	21.6 [.85]
2092-16-16S	C3759X16	1-11 1/2	1-11 1/2	1-11 1/2	41.1 [1.62]	50 [1.97]	41.1 [1.62]	23.9 [.94]	26.9 [1.06]	26.9 [1.06]
2092-20-20S	C3759X20	1 1/4-11 1/2	1 1/4-11 1/2	1 1/4-11 1/2	43.2 [1.70]	60.5 [2.38]	43.2 [1.70]	31.8 [1.25]	35.6 [1.40]	35.6 [1.40]
2092-24-24S	C3759X24	1 1/2-11 1/2	1 1/2-11 1/2	1 1/2-11 1/2	52.8 [2.08]	67.1 [2.64]	52.8 [2.08]	38.1 [1.50]	41.7 [1.64]	41.7 [1.64]

REVISIONS			
REV	DESCRIPTION	DATE	APPROVED
Y	REDRAWN AND UPDATED TO DANFOSS FORMAT. 1) ADDED PART NUMBER.	2009-12-31 AAP/ADN	0038649- ECO
Z	1) "D REF" DIMENSION WAS 16.5 [.65] FOR PART #2092-12-OBS.	2017-07-27 SMP/HLV	0136187- ECO



METRIC

2. DIMENSIONS ARE IN MILLIMETERS [INCHES].
1. MATERIAL: STEEL.

DRAWN A. PURANIK	FLUID CONVEYANCE DIVISION		
CHECKED A. NAGARKATTI	DRAWING TITLE		
APPROVED A. NAGARKATTI	ADAPTER		
RELEASE DATE 2009-12-31	PIPE TEE, INTERNAL, EXTERNAL, INTERNAL (SAE #140424)		
0038649-ECO	SIZE A2	DRAWING NUMBER 2092-S	REV Z
THIRD ANGLE PROJECTION	SCALE NONE	DIST U	CAGE CODE 01276
		SHEET 1	
THE REPRODUCTION, DISTRIBUTION AND UTILIZATION OF THIS DOCUMENT AS WELL AS THE COMMUNICATION OF ITS CONTENTS TO OTHERS WITHOUT EXPLICIT AUTHORIZATION IS PROHIBITED. OFFENDERS WILL BE HELD LIABLE FOR THE PAYMENT OF DAMAGES. ALL RIGHT RESERVED IN THE EVENT OF THE GRANT OF A PATENT, UTILITY MODEL OR DESIGN. (PER ISO 16016)			