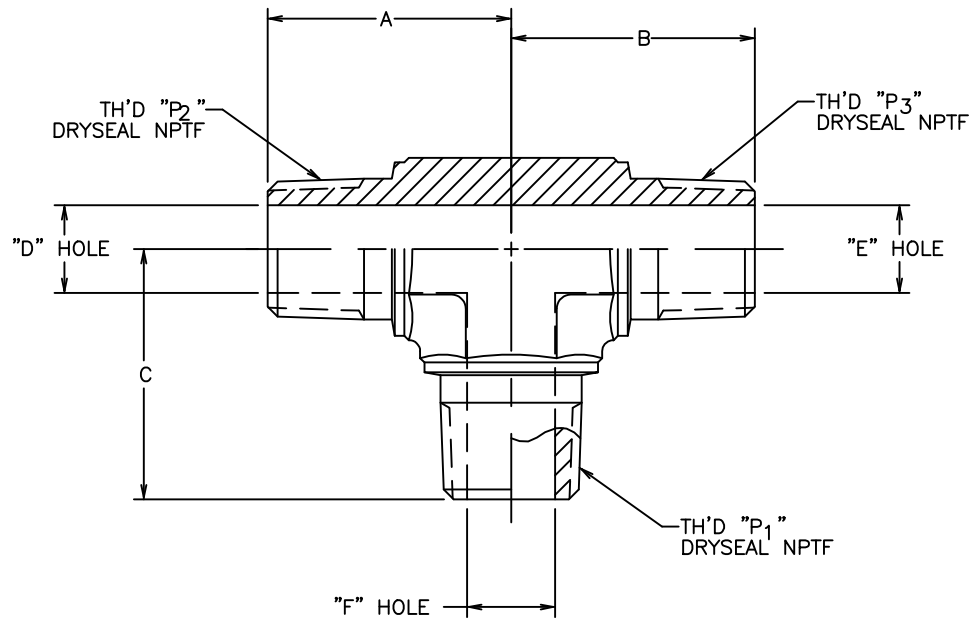


PART NUMBER	TH'D "P ₁ "	TH'D "P ₂ "	TH'D "P ₃ "	A REF	B REF	C REF	D REF	E REF	F REF
2257-2-2S	1/8-27	1/8-27	1/8-27	.78	.78	.78	.19	.19	.19
2257-4-4S	1/4-18	1/4-18	1/4-18	1.09	1.09	1.09	.28	.28	.28
2257-6-6S	3/8-18	3/8-18	3/8-18	1.22	1.22	1.22	.41	.41	.41
2257-8-8S	1/2-14	1/2-14	1/2-14	1.47	1.47	1.47	.53	.53	.53
2257-12-12S	3/4-14	3/4-14	3/4-14	1.59	1.59	1.59	.72	.72	.72
2257-16-16S	1-11 1/2	1-11 1/2	1-11 1/2	1.97	1.97	1.97	.94	.94	.94

REVISIONS			
REV.	DESCRIPTION	DATE	APPROVED
P	REDRAWN - SUPERSEDES 2257-S SHEET 1 REV. "N" FOR 2257-16-16S (BRAZE DESIGN) AND SUPERSEDES 2257-S SHEET 2 REV. "J" FOR 2257-2-2S, -4-4S, -6-6S, -8-8S & -12-12S	5-8-95	EN-F15634 DP-1021



CONVERTED DRAWING CADAM to AutoCAD 8/98

DWG. NO. 2257-S SH. P

1. MATERIAL: STEEL.

THE REPRODUCTION, DISTRIBUTION AND UTILIZATION OF THIS DOCUMENT AS WELL AS THE COMMUNICATION OF ITS CONTENTS TO OTHER WITHOUT EXPLICIT AUTHORIZATION IS PROHIBITED. OFFENDERS WILL BE HELD LIABLE FOR THE PAYMENT OF DAMAGES. ALL RIGHT RESERVED IN THE EVENT OF THE GRANT OF A PATENT, UTILITY MODEL OR DESIGN. (PER ISO 16016)

DRAWN V. ENRIQUEZ	DATE 5-8-95	<i>Garrett</i> FLUID CONVEYANCE DIVISION
CHECKED R.D. GARRETT	DATE 5-11-95	
APPROVED R.D. GARRETT	DATE 5-11-95	DRAWING TITLE ADAPTER
RELEASED	DATE 5-11-95	PIPE TEE, EXTERNAL, EXTERNAL, EXTERNAL
PROJECT NO. DP-1021	APC NO.	SIZE (CAGE) CODE NO. DRAWING NUMBER C 01276 2257-S
DESIGN APPROVED		SHEET
APPROVED		U