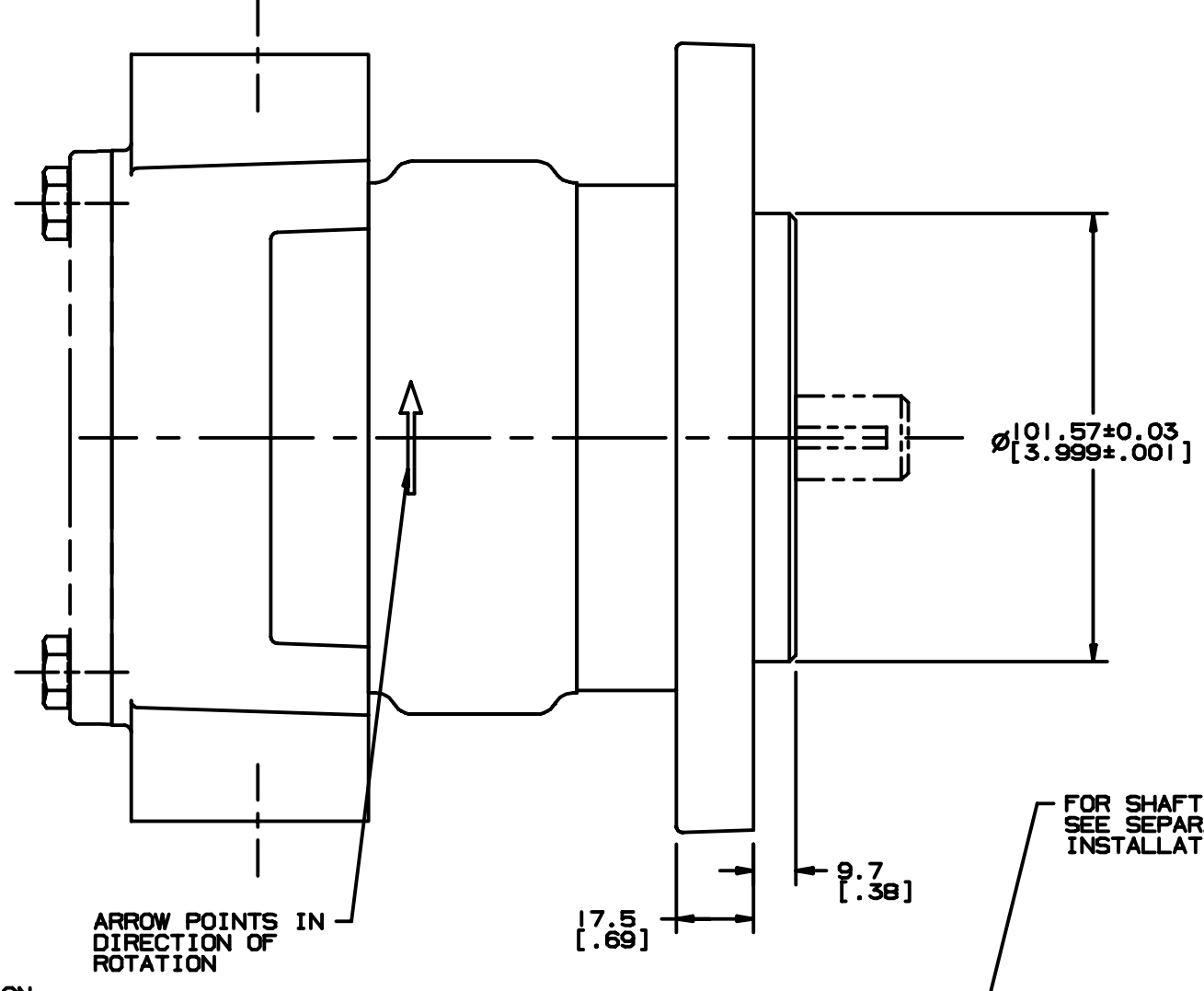
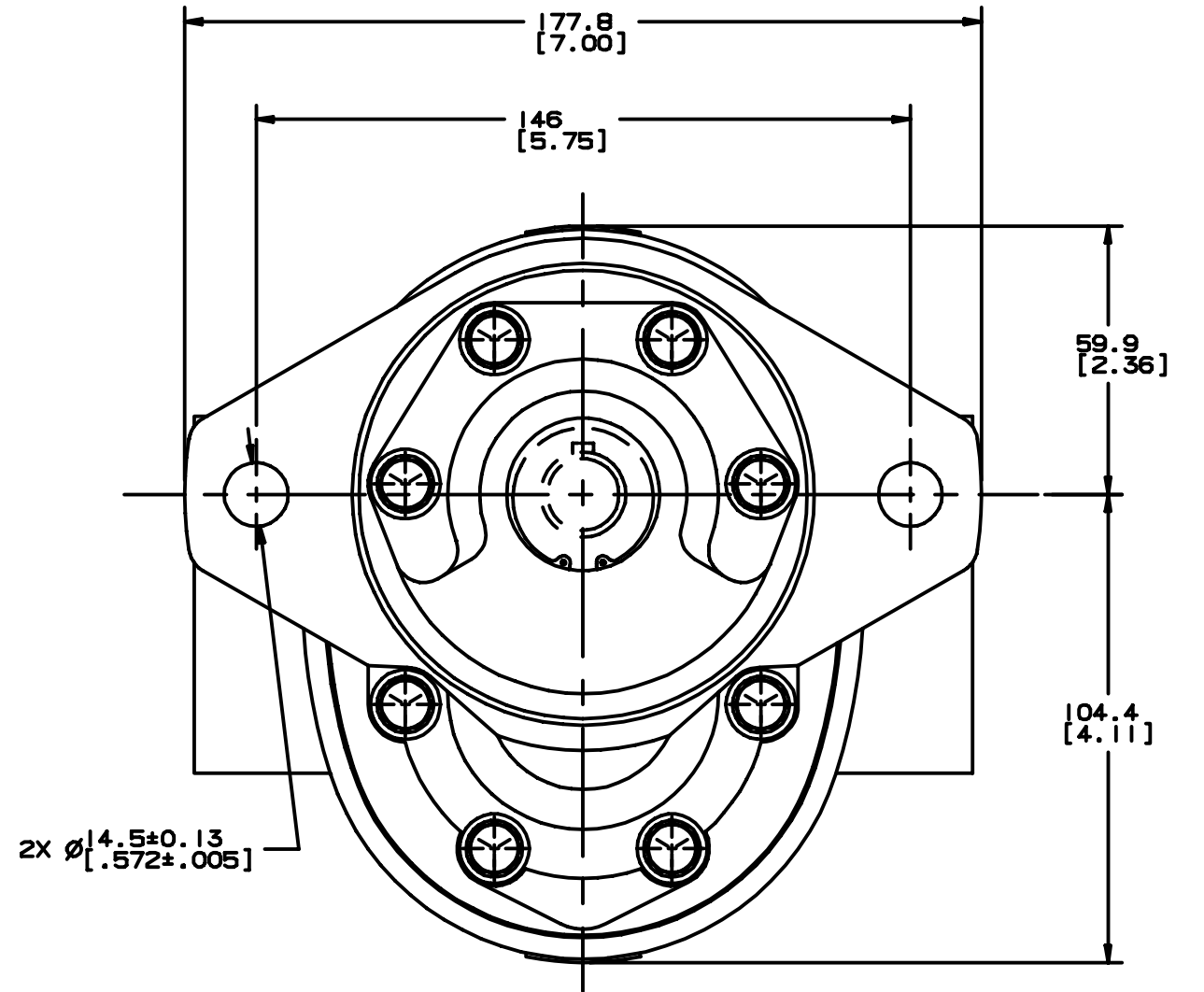
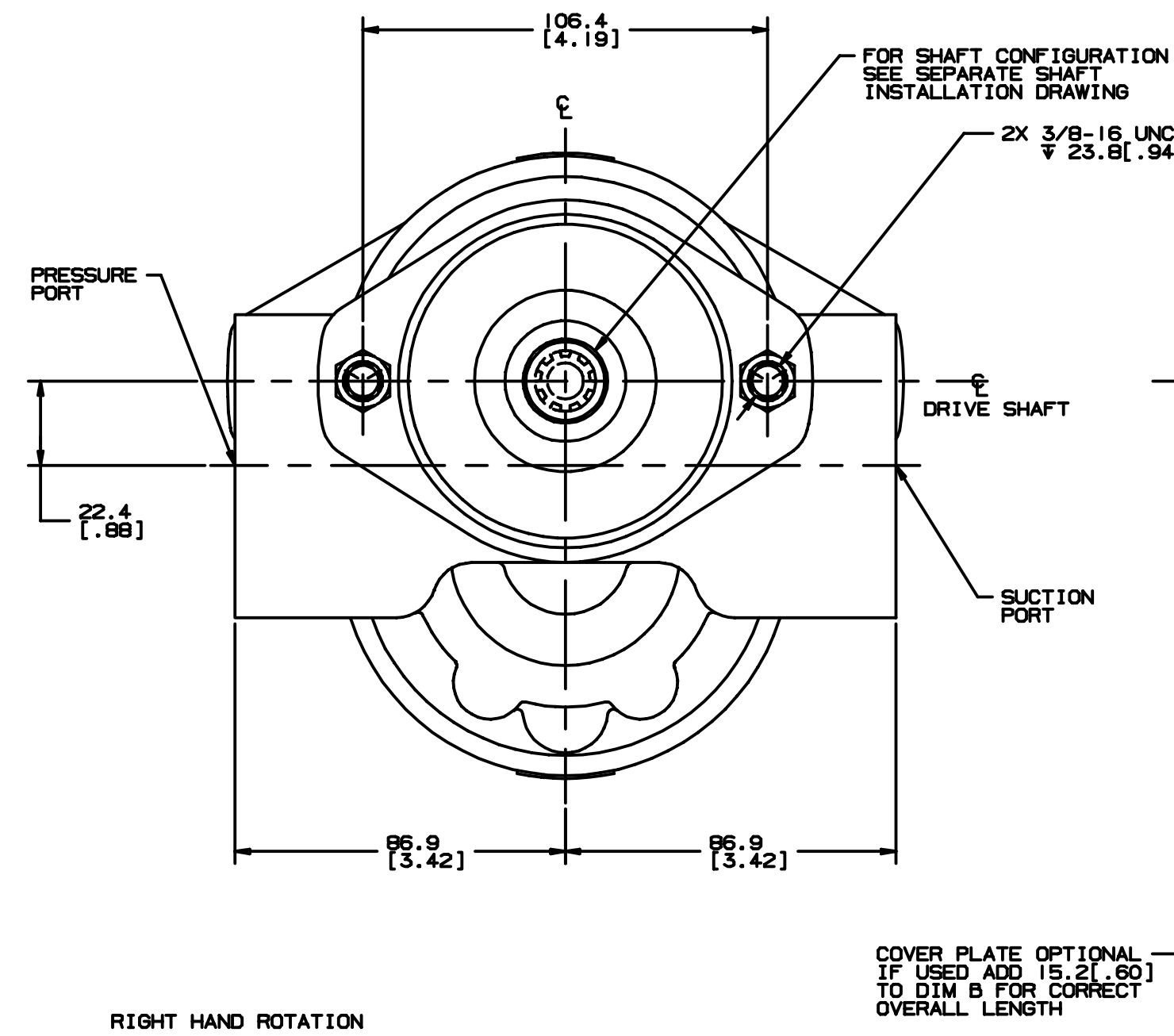


REV	DESCRIPTION	BY	CHK	DATE	ECN
A	ENGINEERING RELEASE	IJH		4/8/92	21490
B	REVISED PICTORIALY	MAS		8/14/92	22676
C	-1) (6A) ADDED "COVER PLATE OPTIONAL.." -2) (5D) (5E) ADDED COVER PLATE	JLY	GCB	3/14/98	M14921A
D	PART NO A-548-000 WAS A-548	WSM	WSM	1/25/99	M21061A

DISPLACEMENT	DIM A		DIM B	
	mm	in	mm	in
21.3 mL/r	[1.30]	[.051]	84.8	[3.34]
25.4 mL/r	[1.55]	[.061]	88.2	[3.47]
29.2 mL/r	[1.78]	[.070]	91.7	[3.61]
33.6 mL/r	[2.05]	[.081]	95.1	[3.75]
38.2 mL/r	[2.33]	[.092]	98.6	[3.89]
42.8 mL/r	[2.61]	[.103]	102.1	[4.02]
46.7 mL/r	[2.85]	[.112]	105.3	[4.14]
51.1 mL/r	[3.12]	[.123]	109	[4.29]
55.2 mL/r	[3.37]	[.133]	112.4	[4.43]



FOR SHAFT CONFIGURATION SEE SEPARATE SHAFT INSTALLATION DRAWING



UNLESS OTHERWISE SPECIFIED DIMENSIONS ARE IN MILLIMETERS (INCHES)	DRAWING BASED ON ANSI Y14.5M-1982	
TOLERANCES	DATE: IJH 12/08/91	MATERIAL: ALUMINUM
.X ±	DATE: CHJ 5/22/92	TITLE: GEAR PUMP INSTALLATION
.XX ±	DATE: JCY 6/29/92	NUMBER: A-548-000
.XXX ±	DATE: JCY 6/29/92	SCALE: 1/1
UNSPECIFIED PORT ARE	THIRD ANGLE PROJECTION	SHEET 1 OF 1
UNSPECIFIED DRAFT ANGLES ARE	DO NOT SCALE	
DRAWING PERFORMED BY: [Signature]		