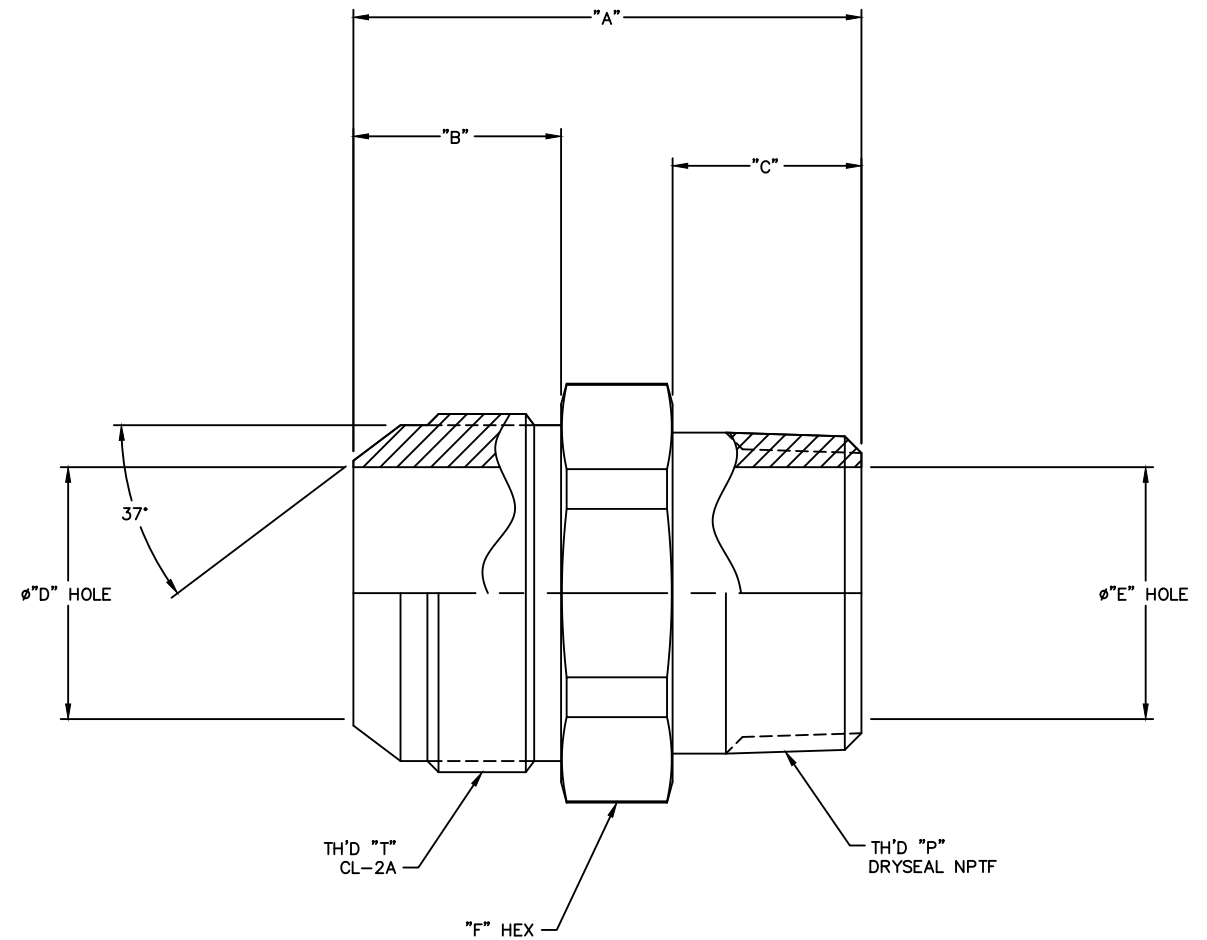


WEATHERHEAD PART NUMBER	AEROQUIPAD PART NUMBER	TH'D T _P	TH'D T _P	A REF	B REF	C REF	D REF	E REF	F REF (INCH)
5217X2	259-2021-2-2	1/8-27	5/16-24	28.2 [1.11]	11.4 [.45]	10.2 [.40]	1.5 [.06]	4.8 [.19]	7/16
	259-2021-2-3	1/8-27	3/8-24	29 [1.14]	12.2 [.48]	10.2 [.40]	3.0 [.12]	4.8 [.19]	7/16
5217X4	259-2021-2-4	1/8-27	7/16-20	31 [1.22]	14 [.55]	10.2 [.40]	4.3 [.17]	4.3 [.17]	1/2
	259-2021-2-5	1/8-27	1/2-20	31 [1.22]	14 [.55]	10.2 [.40]	5.8 [.23]	4.8 [.19]	9/16
5217X6X2	259-2021-2-6	1/8-27	9/16-18	31.5 [1.24]	14.2 [.56]	10.2 [.40]	7.6 [.30]	4.8 [.19]	5/8
5217X4X4	259-2021-4-4	1/4-18	7/16-20	36.1 [1.42]	14 [.55]	14.7 [.58]	4.3 [.17]	7.1 [.28]	9/16
5217X5X4	259-2021-4-5	1/4-18	1/2-20	36.1 [1.42]	14 [.55]	14.7 [.58]	5.8 [.23]	7.1 [.28]	9/16
5217X6	259-2021-4-6	1/4-18	9/16-18	36.3 [1.43]	14.2 [.56]	14.7 [.58]	7.1 [.28]	7.1 [.28]	5/8
5217X8X4	259-2021-4-8	1/4-18	3/4-16	38.9 [1.53]	16.8 [.66]	14.7 [.58]	9.9 [.39]	7.1 [.28]	13/16
5217X4X6	259-2021-6-4	3/8-18	7/16-20	36.1 [1.42]	14 [.55]	14.7 [.58]	4.3 [.17]	10.4 [.41]	3/4
	259-2021-6-5	3/8-18	1/2-20	36.1 [1.42]	14 [.55]	14.7 [.58]	5.8 [.23]	10.4 [.41]	3/4
5217X6X6	259-2021-6-6	3/8-18	9/16-18	36.3 [1.43]	14.2 [.56]	14.7 [.58]	7.6 [.30]	10.4 [.41]	3/4
5217X8	259-2021-6-8	3/8-18	3/4-16	38.9 [1.53]	16.8 [.66]	14.7 [.58]	9.9 [.39]	9.9 [.39]	13/16
5217X10X6	259-2021-6-10	3/8-18	7/8-14	43.2 [1.70]	19.3 [.76]	14.7 [.58]	12.2 [.48]	10.4 [.41]	15/16
	259-2021-8-4	1/2-14	7/16-20	42.7 [1.68]	14 [.55]	19.3 [.76]	4.3 [.17]	13.5 [.53]	7/8
5217X6X8	259-2021-8-6	1/2-14	9/16-18	42.9 [1.69]	14.2 [.56]	19.3 [.76]	7.6 [.30]	13.5 [.53]	7/8
5217X8X8	259-2021-8-8	1/2-14	3/4-16	45.5 [1.79]	16.8 [.66]	19.3 [.76]	9.9 [.39]	13.5 [.53]	7/8
5217X10	259-2021-8-10	1/2-14	7/8-14	48 [1.89]	19.3 [.76]	19.3 [.76]	12.2 [.48]	12.2 [.48]	15/16
5217X12X8	259-2021-8-12	1/2-14	1 1/16-12	52.3 [2.06]	21.8 [.86]	19.3 [.76]	13.5 [.53]	13.5 [.53]	1 1/8
	259-2021-12-6	3/4-14	9/16-18	44.5 [1.75]	14.2 [.56]	19.3 [.76]	7.6 [.30]	18.3 [.72]	1 1/8
5217X8X12	259-2021-12-8	3/4-14	3/4-16	47 [1.85]	16.8 [.66]	19.3 [.76]	9.9 [.39]	18.3 [.72]	1 1/8
5217X10X12	259-2021-12-10	3/4-14	7/8-14	49.5 [1.95]	19.3 [.76]	19.3 [.76]	12.2 [.48]	18.3 [.72]	1 1/8
5217X12	259-2021-12-12	3/4-14	1 1/16-12	52.3 [2.06]	21.8 [.86]	19.3 [.76]	15.5 [.61]	18.3 [.72]	1 1/8
5217X16X12	259-2021-12-16	3/4-14	1 5/16-12	53.6 [2.11]	23.1 [.91]	19.3 [.76]	21.3 [.84]	18.3 [.72]	1 3/8
5217X16	259-2021-16-16	1-11 1/2	1 5/16-12	58.4 [2.30]	23.1 [.91]	24.4 [.96]	21.3 [.84]	21.3 [.84]	1 3/8
	259-2021-16-20	1-11 1/2	1 5/8-12	61.5 [2.42]	24.4 [.96]	24.4 [.96]	23.9 [.94]	23.9 [.94]	1 11/16
	259-2021-20-16	1 1/4-11 1/2	1 5/16-12	61 [2.40]	23.1 [.91]	24.9 [.98]	21.3 [.84]	31.8 [1.25]	1 11/16
5217X20	259-2021-20-20	1 1/4-11 1/2	1 5/8-12	62.2 [2.45]	24.4 [.96]	24.9 [.98]	27.4 [1.08]	31.8 [1.25]	1 11/16
5217X24X20	259-2021-20-24	1 1/4-11 1/2	1 7/8-12	67.3 [2.65]	27.4 [1.08]	24.9 [.98]	31.8 [1.25]	31.8 [1.25]	2
5217X24	259-2021-24-24	1 1/2-11 1/2	1 7/8-12	68.1 [2.68]	27.4 [1.08]	25.9 [1.02]	33.3 [1.31]	33.3 [1.31]	2
	259-2021-32-32	2-11 1/2	2 1/2-12	79 [3.11]	33.8 [1.33]	26.4 [1.04]	45.2 [1.78]	45.2 [1.78]	2 5/8

REVISIONS			
REV	DESCRIPTION	DATE	APPROVED
D	REDRAWN, UPDATED TO DANFOSS FORMAT 1) ADDED WEATHERHEAD PART NUMBERS 2) ADDED PART 259-2021-2-2.	2010-09-03 AJC/AGV	0046353-ECO DP-1299
E	1) ADDED WEATHERHEAD PART NUMBERS	2012-06-25 RDZ/PSW	0072345-ECO



①

- 2. DIMENSIONS ARE IN MILLIMETERS [INCHES].
- 1. MATERIAL: AISI 316 STAINLESS STEEL.

DRAWN A. CHAVAN CHECKED A. VARANKAR APPROVED J. SNYDER RELEASE DATE 2010-09-03 0046353-ECO DP-1299 THIRD ANGLE PROJECTION	FLUID CONVEYANCE DIVISION DRAWING TITLE ADAPTER SAE 37° FLARE - MALE CONNECTOR (SAE #070102)	
SIZE A1	DRAWING NUMBER 259-2021	REV E
SCALE NONE	DIST U	SHEET 1
THE REPRODUCTION, DISTRIBUTION AND UTILIZATION OF THIS DOCUMENT AS WELL AS THE COMMUNICATION OF ITS CONTENTS TO OTHERS WITHOUT EXPLICIT AUTHORIZATION IS PROHIBITED. OFFENDERS WILL BE HELD LIABLE FOR THE PAYMENT OF DAMAGES. ALL RIGHTS RESERVED IN THE EVENT OF THE GRANT OF A PATENT, UTILITY MODEL OR DESIGN. (PER ISO 16016)		

DWG. NO. 259-2021