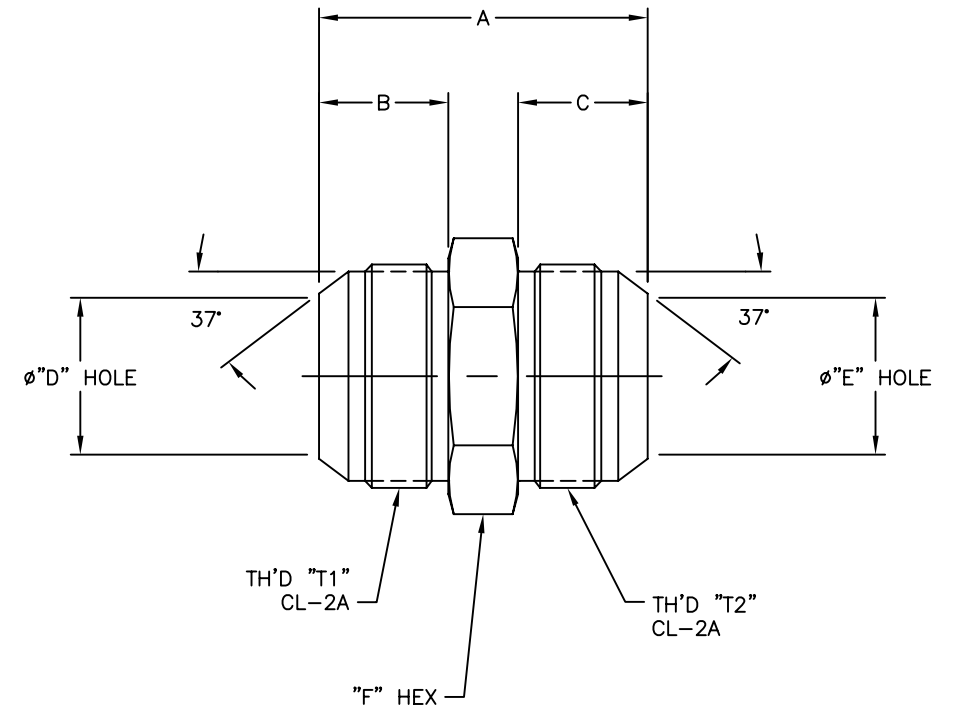


AEROQUIP PART NUMBER	WEATHERHEAD PART NUMBER	TH'D "T1"	TH'D "T2"	A REF	B REF	C REF	D REF	E REF	F REF (INCH)
259-2027-4-4	5317X4	7/16-20	7/16-20	34.8 [1.37]	14 [.55]	14 [.55]	4.3 [.17]	4.3 [.17]	1/2
259-2027-5-5	5317X5	1/2-20	1/2-20	34.8 [1.37]	14 [.55]	14 [.55]	5.8 [.23]	5.8 [.23]	9/16
259-2027-6-4		9/16-18	7/16-20	35.6 [1.40]	14.2 [.56]	14 [.55]	7.6 [.30]	4.3 [.17]	5/8
259-2027-6-6	5317X6	9/16-18	9/16-18	35.8 [1.41]	14.2 [.56]	14.2 [.56]	7.6 [.30]	7.6 [.30]	5/8
259-2027-8-8	5317X8	3/4-16	3/4-16	41.1 [1.62]	16.8 [.66]	16.8 [.66]	9.9 [.39]	9.9 [.39]	13/16
259-2027-10-10	5317X10	7/8-14	7/8-14	47.8 [1.88]	19.3 [.76]	19.3 [.76]	12.2 [.48]	12.2 [.48]	15/16
259-2027-12-12	5317X12	1 1/16-12	1 1/16-12	54.9 [2.16]	21.8 [.86]	21.8 [.86]	15.5 [.61]	15.5 [.61]	1 1/8
259-2027-16-16	5317X16	1 5/16-12	1 5/16-12	57.2 [2.25]	23.1 [.91]	23.1 [.91]	21.3 [.84]	21.3 [.84]	1 3/8
259-2027-20-20	5317X20	1 5/8-12	1 5/8-12	61.7 [2.43]	24.4 [.96]	24.4 [.96]	27.4 [1.08]	27.4 [1.08]	1 11/16
259-2027-32-32		2 1/2-12	2 1/2-12	86.4 [3.40]	33.8 [1.33]	33.8 [1.33]	45.2 [1.78]	45.2 [1.78]	2 5/8

REVISIONS			
REV	DESCRIPTION	DATE	APPROVED
J	CORRECTED REVISION LEVEL REDRAWN, UPDATED TO DANFOSS FORMAT AND DIMENSION STYLE. 1) REACTIVATED PART NO. "259-2027-10-10" 2) ADDED WEATHERHEAD PART NOS. 3) REMOVED PART NOS. 259-2027-8-6, 259-2027-24-24	2010-08-20 GPR/YPK	0046455-ECO DP-1299
K	1) ADDED WEATHERHEAD PART NOS.	2012-12-26 ONJ/PSW	0073181-ECO
L	1) DIMENSION D & E FOR 259-2027-10-10 WAS 13.7 [.54]	2012-12-26 ONJ/VJS	0079026-ECO



②

Ⓚ₁

Ⓚ₁

Ⓜ₃

Ⓜ₁

Ⓚ₁

Ⓚ₁

Ⓚ₁

Ⓜ₃

METRIC

- 2. DIMENSIONS ARE IN MILLIMETERS [INCHES].
- 1. MATERIAL: AISI 316 STAINLESS STEEL.

UNLESS OTHERWISE SPECIFIED DIMENSIONS ARE IN MILLIMETERS [INCH] DIMENSIONS ARE AFTER PLATING		DRAWN G. RAJPUT		FLUID CONVEYANCE DIVISION	
TOLERANCE ON: DIMENSIONS ± 0.15 [.006] ANGLES ± 2°		CHECKED Y. KULKARNI		DRAWING TITLE ADAPTER SAE 37° FLARE-UNION (SAE #070101)	
5 [200] FINISH PER ISO 1302 REMOVE ALL BURRS		APPROVED J. LANDIN		SIZE A2	
ALL CORNERS R 0.5/0.13 [.020/.005] OR BRK ALL DIAMETERS MUST BE CONCENTRIC WITHIN --- T.I.R. WORK TO DIMENSIONS DO NOT SCALE		RELEASE DATE 2010-08-20		DRAWING NUMBER 259-2027	
		0046455-ECO DP-1299		REV L	
		THIRD ANGLE PROJECTION		SCALE NONE DIST U CAGE CODE 01276 SHEET 1	
THE REPRODUCTION, DISTRIBUTION AND UTILIZATION OF THIS DOCUMENT, AS WELL AS THE COMMUNICATION OF ITS CONTENTS TO OTHERS WITHOUT EXPLICIT AUTHORIZATION IS PROHIBITED. OFFENDERS WILL BE HELD LIABLE FOR THE PAYMENT OF DAMAGES. ALL RIGHTS RESERVED IN THE EVENT OF THE GRANT OF A PATENT, UTILITY MODEL OR DESIGN. (PER ISO 18016)					

DWG. NO. 259-2027 SH. 1 REV. L