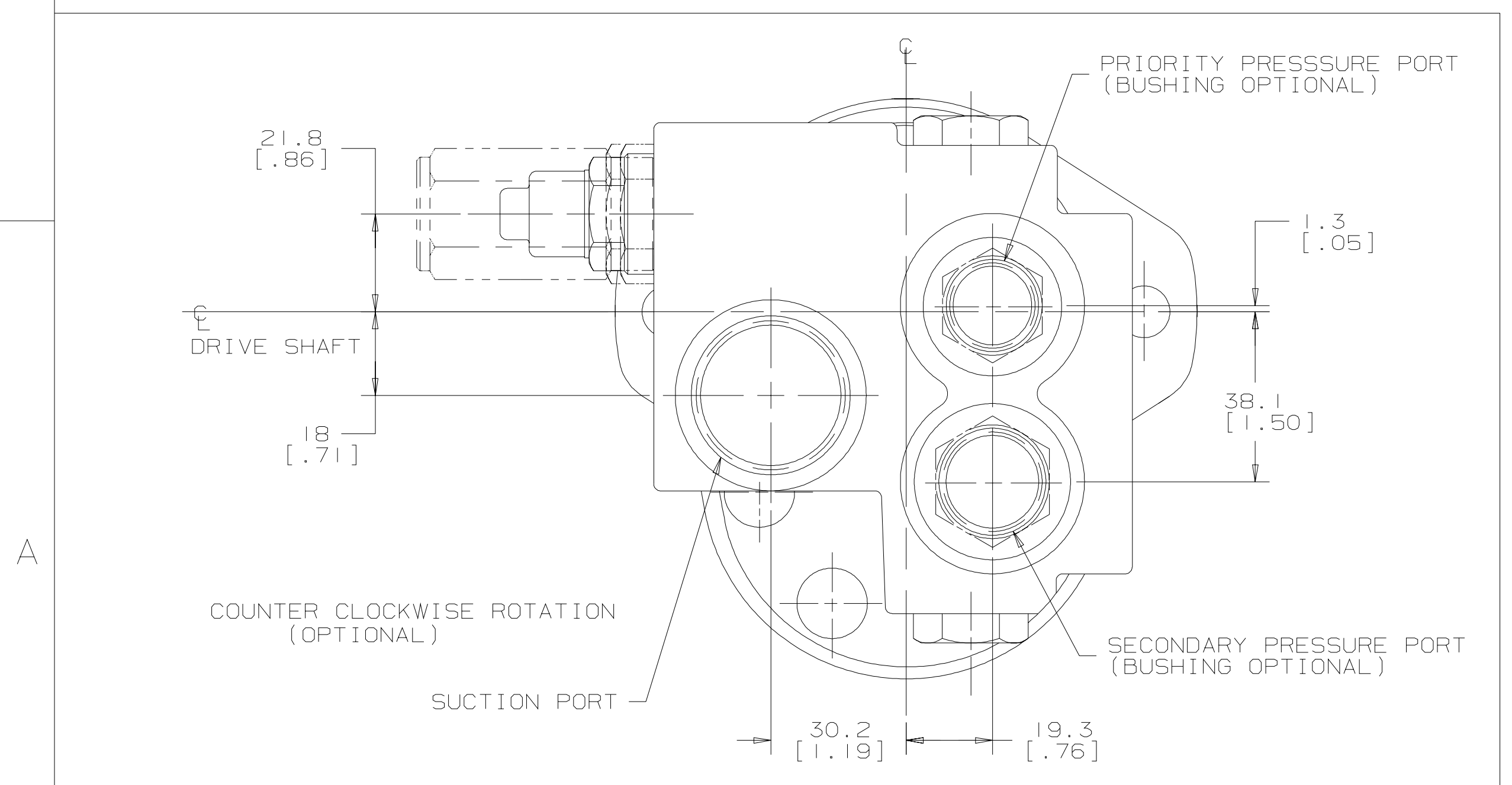
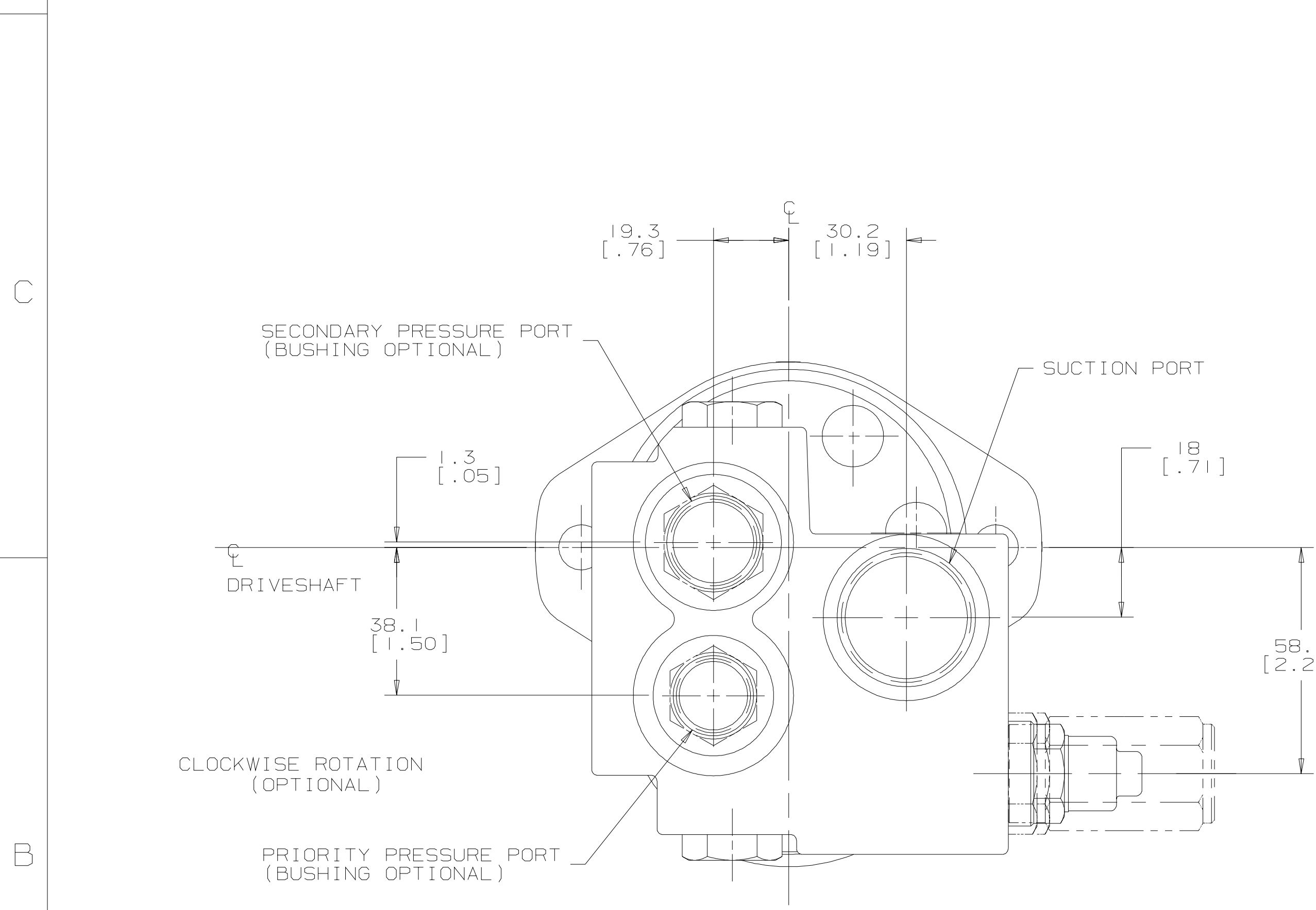
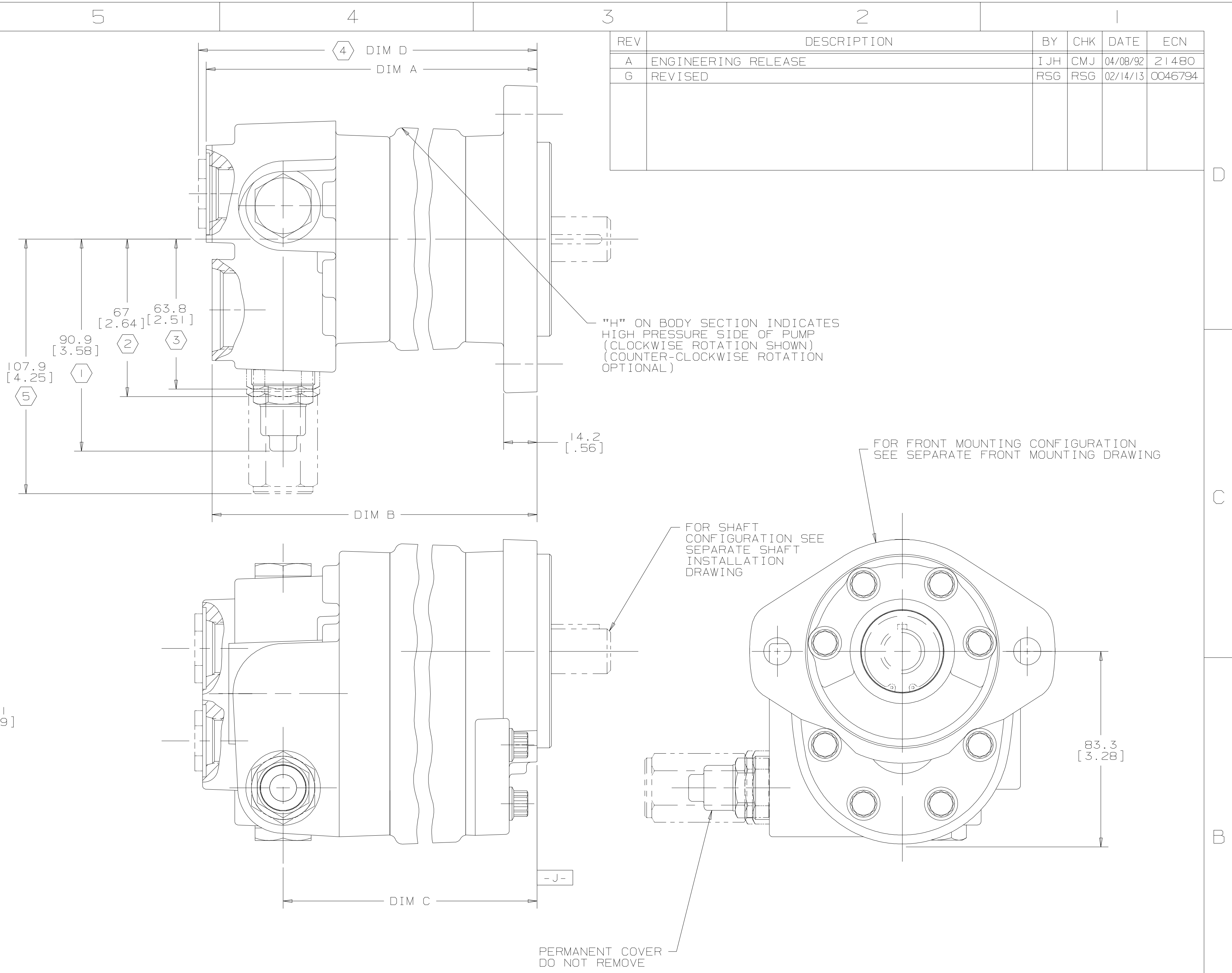


DISPLACEMENT	DIM A	DIM B	DIM C	DIM D
	FRONT MOUNT 2 BOLT SAE A AND B	FRONT MOUNT 2 BOLT SAE A AND B	FRONT MOUNT 2 BOLT SAE A AND B	FRONT MOUNT 2 BOLT SAE A AND B
5.1 cm <sup>3</sup> /r [.31 in <sup>3</sup> /r]	122.8[4.84]	118.8[4.68]	88.6[3.49]	122.9[4.84]
6.6 cm <sup>3</sup> /r [.40 in <sup>3</sup> /r]	124.5[4.90]	120.4[4.74]	90.2[3.55]	124.4[4.90]
8.2 cm <sup>3</sup> /r [.50 in <sup>3</sup> /r]	126.4[4.98]	122.3[4.82]	92.1[3.63]	126.4[4.98]
9.5 cm <sup>3</sup> /r [.58 in <sup>3</sup> /r]	127.9[5.03]	123.8[4.87]	93.6[3.68]	127.7[5.03]
10.8 cm <sup>3</sup> /r [.66 in <sup>3</sup> /r]	129.6[5.10]	125.5[4.94]	95.3[3.75]	129.5[5.10]
11.8 cm <sup>3</sup> /r [.72 in <sup>3</sup> /r]	130.5[5.14]	126.5[4.98]	96.2[3.79]	130.5[5.14]
13.8 cm <sup>3</sup> /r [.84 in <sup>3</sup> /r]	132.8[5.23]	128.7[5.07]	98.5[3.88]	132.8[5.23]
16.7 cm <sup>3</sup> /r [1.02 in <sup>3</sup> /r]	136 [5.35]	131.9[5.19]	101.7[4.00]	135.8[5.35]
19.7 cm <sup>3</sup> /r [1.20 in <sup>3</sup> /r]	139.2[5.48]	135.1[5.32]	104.9[4.13]	139.1[5.48]
22.4 cm <sup>3</sup> /r [1.37 in <sup>3</sup> /r]	142.4[5.61]	138.3[5.45]	108.1[4.26]	142.4[5.61]
24.3 cm <sup>3</sup> /r [1.48 in <sup>3</sup> /r]	144.8[5.70]	140.7[5.54]	110.5[4.35]	144.7[5.70]
25.2 cm <sup>3</sup> /r [1.54 in <sup>3</sup> /r]	145.6[5.73]	141.5[5.57]	111.3[4.38]	145.5[5.73]
27.7 cm <sup>3</sup> /r [1.69 in <sup>3</sup> /r]	148.8[5.86]	144.7[5.70]	114.5[4.51]	148.8[5.86]
29 cm <sup>3</sup> /r [1.77 in <sup>3</sup> /r]	150.4[5.92]	146.4[5.76]	116.1[4.57]	150.3[5.92]
30.6 cm <sup>3</sup> /r [1.87 in <sup>3</sup> /r]	152 [5.98]	147.9[5.82]	117.7[4.63]	151.8[5.98]
35.1 cm <sup>3</sup> /r [2.14 in <sup>3</sup> /r]	157.5[6.20]	153.4[6.04]	123.2[4.85]	157.4[6.20]

REV	DESCRIPTION	BY	CHK	DATE	ECN
A	ENGINEERING RELEASE	I JH	CMJ	04/08/92	Z1480
G	REVISED	RSG	RSG	02/14/13	0046794



- ① RELIEF VALVE (STANDARD)
- ② RELIEF VALVE (OPTIONAL EXTERNALLY NON-ADJUSTABLE)
- ③ NO RELIEF VALVE - HEX PLUG (OPTIONAL)
- ④ APPLIES ONLY TO BACKPLATES WITH 16175-XXX PORT BUSHINGS
- ⑤ RELIEF VALVE (OPTIONAL EXTERNALLY ADJUSTABLE RV5 RELIEF VALVE)

UNLESS OTHERWISE SPECIFIED ALL DIMENSIONS ARE IN		DRAWING BASED ON ANSI Y14.5M-1982	
INCHES <input type="checkbox"/>	MILLIMETERS <input checked="" type="checkbox"/>	THE REPRODUCTION, DISTRIBUTION, AND UTILIZATION OF THIS DOCUMENT, AS WELL AS THE COMMUNICATION OF ITS CONTENTS TO OTHERS WITHOUT EXPLICIT AUTHORIZATION IS PROHIBITED. OFFENDERS WILL BE HELD LIABLE FOR THE PAYMENT OF DAMAGES. ALL RIGHTS RESERVED IN THE EVENT OF THE GRANT OF A PATENT, UTILITY MODEL, OR DESIGN. (PER ISO 16016)	
TOLERANCES			
.xx ± REF ONLY	----		
UNSPECIFIED RADI ARE	----	DRAWN BY/DATE I JH 11/11/91	MATERIAL/HEAT TREAT
UNSPECIFIED DRAFT ANGLES ARE	----	CHECKED BY/DATE CMJ 5/20/92	
DRAWING FORMAT CAD <input checked="" type="checkbox"/> MANUAL <input type="checkbox"/>	THIRD ANGLE PROJECTION	ENGRG BY/DATE JCW 6/29/92	TITLE GEAR PUMP INSTALLATION
		METALLURGY BY/DATE	NUMBER A-490-000
			SCALE 1/1 SHEET 1 OF 1