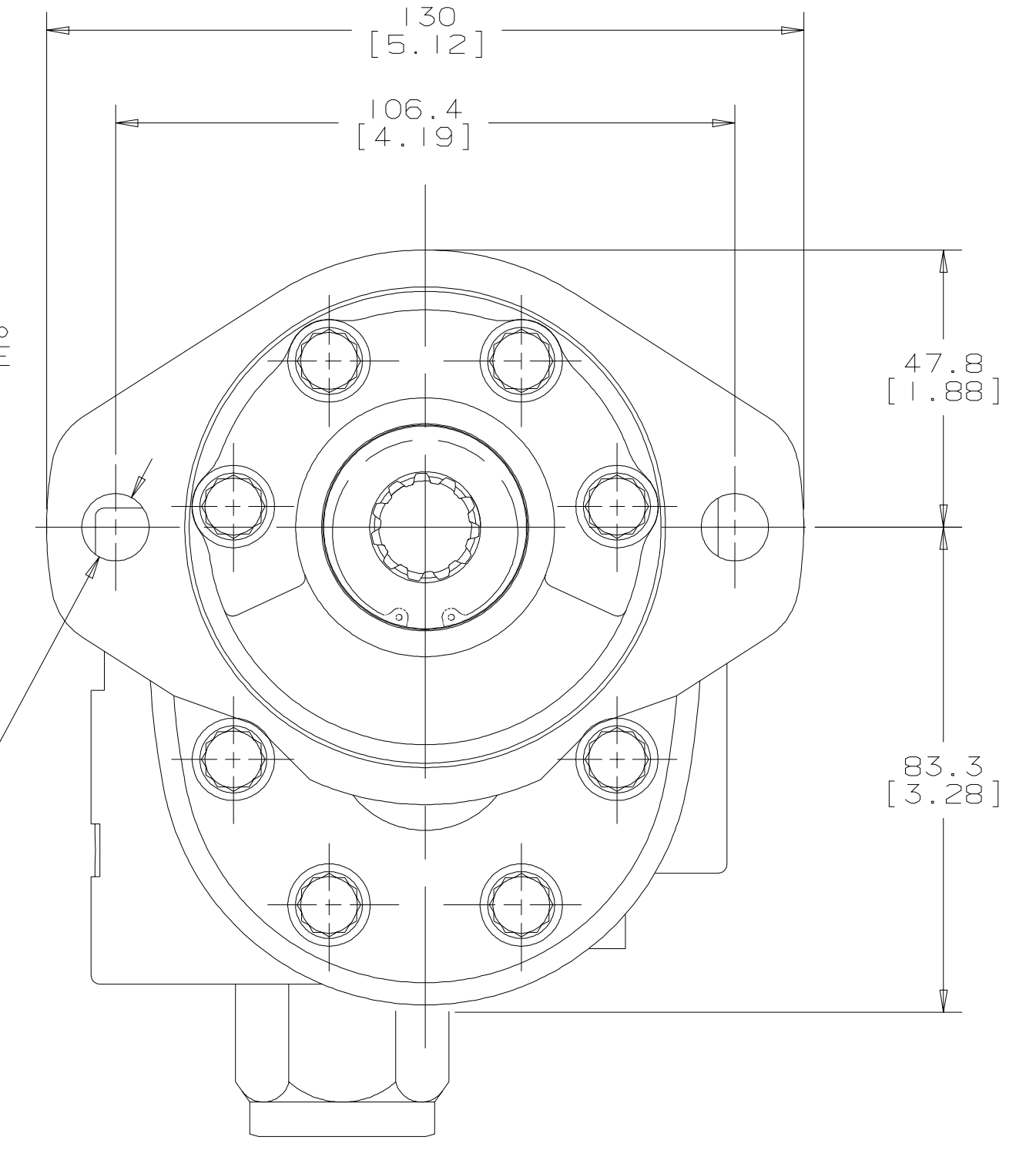
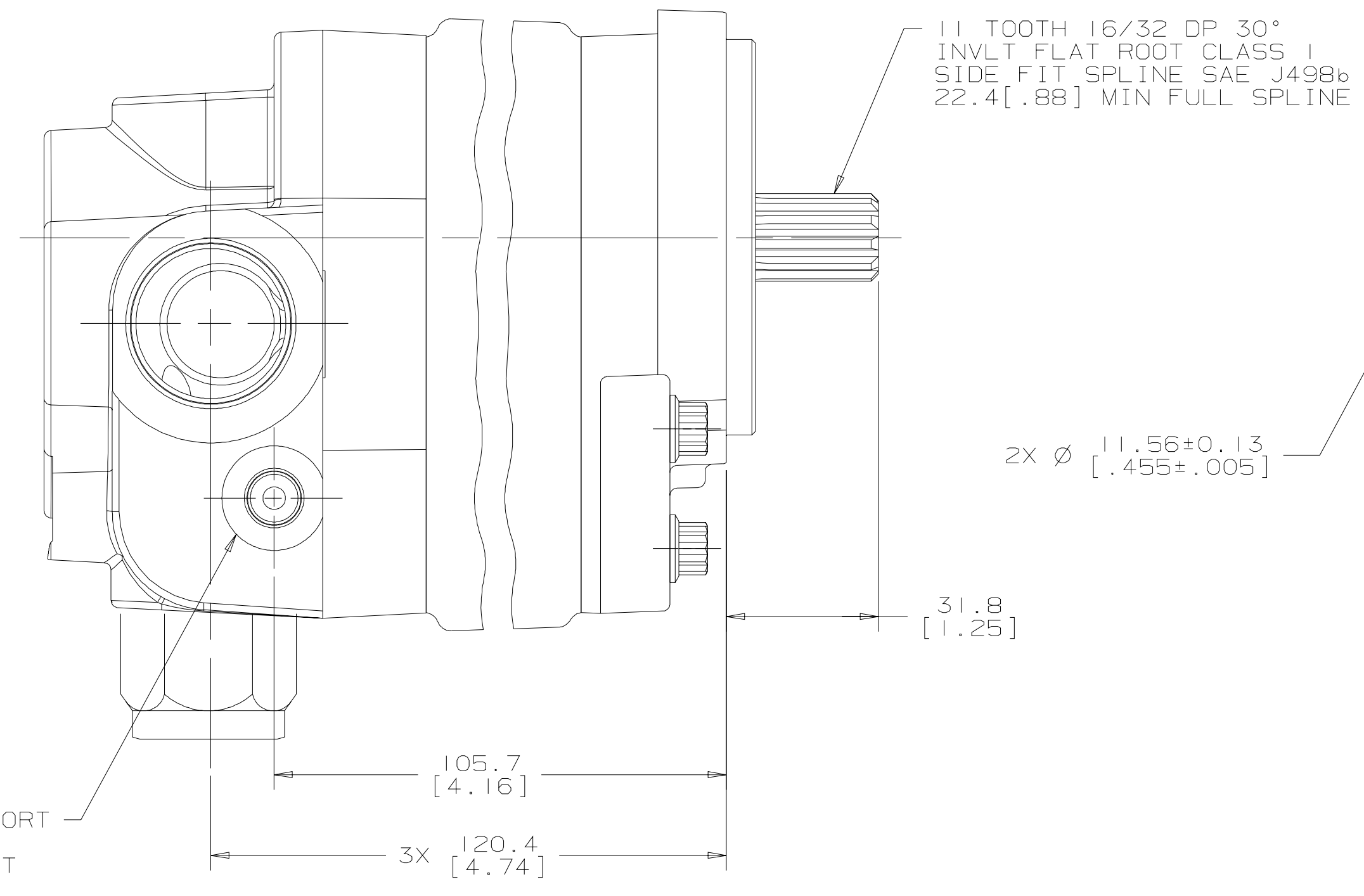
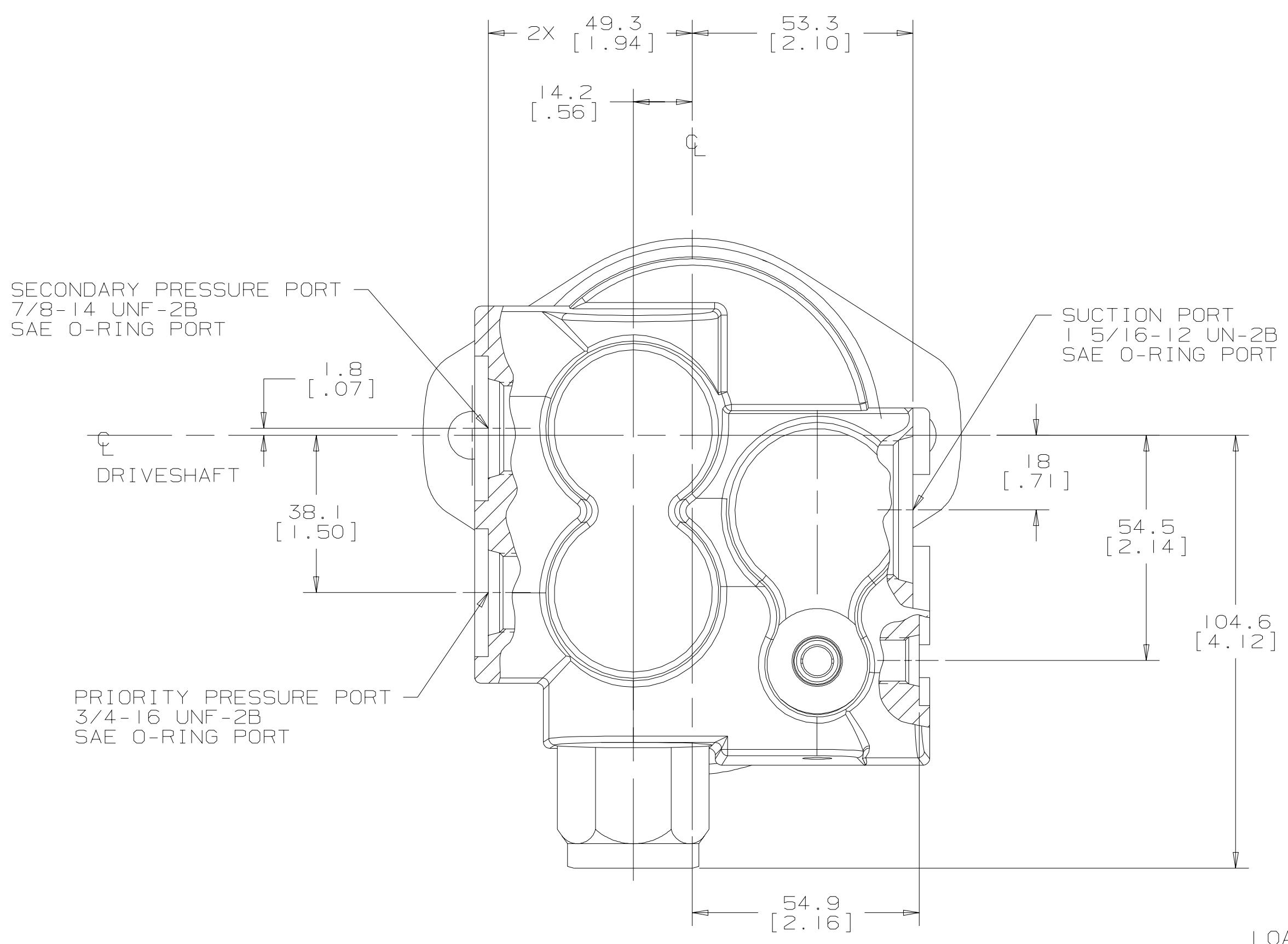
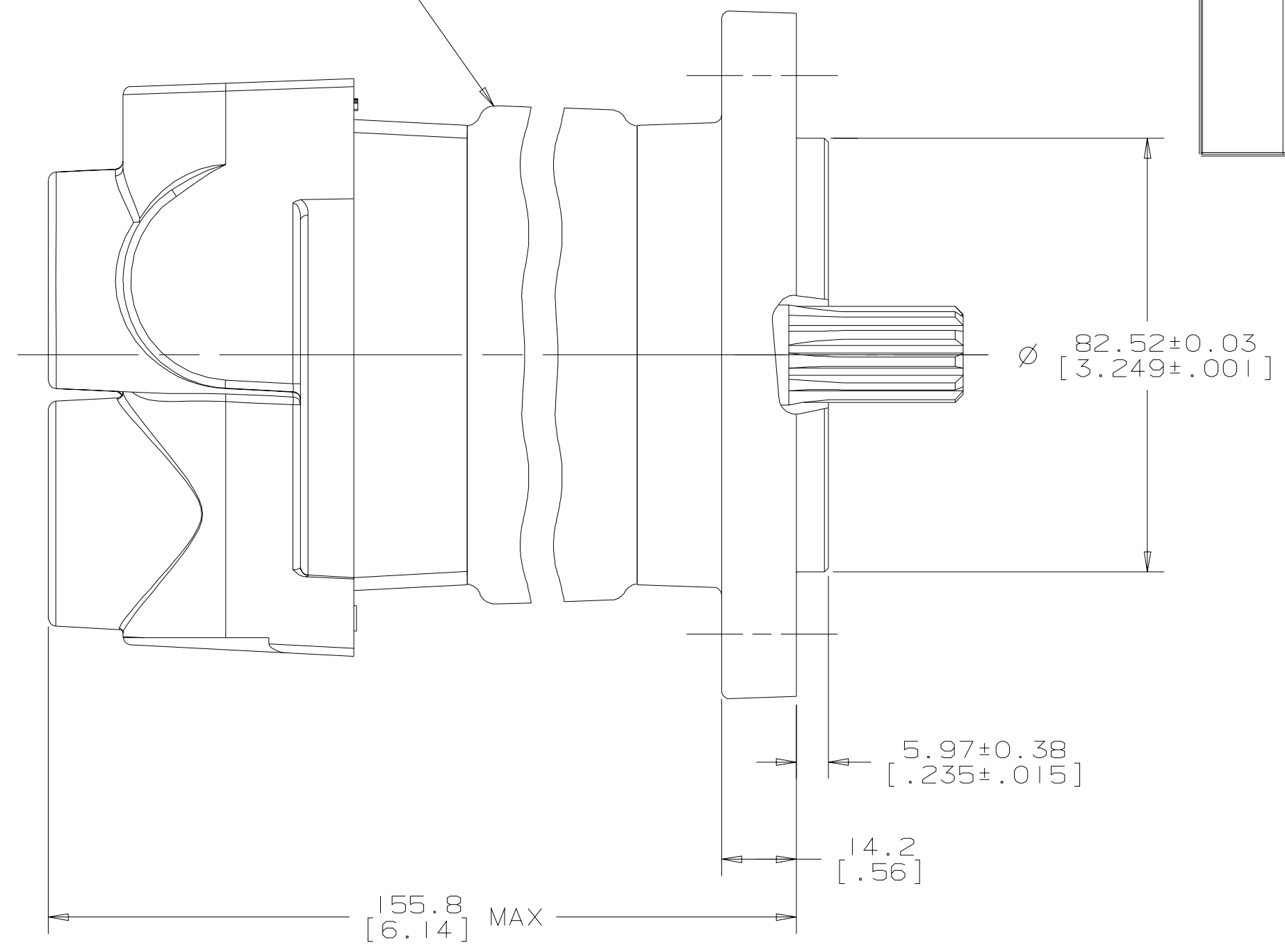


REV	DESCRIPTION	BY	CHK	DATE	ECN
A	ENGINEERING RELEASE	LMD	JLH	7/24/97	M17895
B	-1)(5D)ADDED NOTE "H" ON BODY SECTION... -2)DELETED BOLT MARKINGS	WSM	WSM	11/27/98	31483

"H" ON BODY SECTION INDICATES HIGH PRESSURE SIDE OF PUMP



UNLESS OTHERWISE SPECIFIED ALL DIMENSIONS ARE IN INCHES <input type="checkbox"/> MILLIMETERS <input checked="" type="checkbox"/>		DRAWING BASED ON ANSI Y14.5M-1982	
TOLERANCES .X +----- .XX +REF .XXX +ONLY /-----		THE REPRODUCTION, DISTRIBUTION, AND UTILIZATION OF THIS DOCUMENT, AS WELL AS THE COMMUNICATION OF ITS CONTENTS TO OTHERS WITHOUT EXPLICIT AUTHORIZATION IS PROHIBITED. OFFENDERS WILL BE HELD LIABLE FOR THE PAYMENT OF DAMAGES. ALL RIGHTS RESERVED IN THE EVENT OF THE GRANT OF A PATENT, UTILITY MODEL, OR DESIGN. (PER ISO 16016)	
DRAIN BY/DATE LMD 10/28/97	MATERIAL/HEAT TREAT		
CHECKED BY/DATE JLH 10/30/97			
UNSPECIFIED RADII ARE	ENGRG. BY/DATE JLH 10/30/97	TITLE GEAR PUMP INSTALLATION	
UNSPECIFIED DRAFT ANGLES ARE	METALLURGY BY/DATE	NUMBER 26313-RAA	
DRAWING FORMAT CADD <input checked="" type="checkbox"/> MANUAL <input type="checkbox"/>	THIRD ANGLE PROJECTION	SCALE 1/1	SHEET 1 OF 1