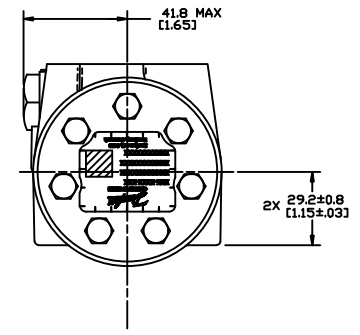
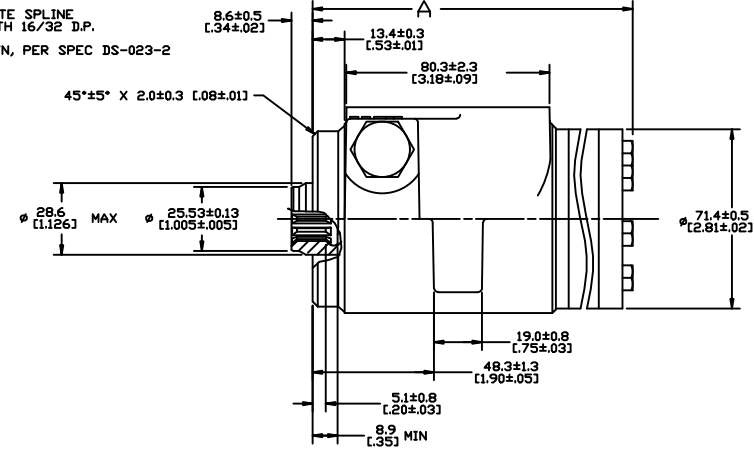
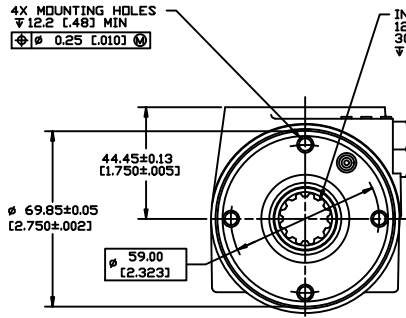
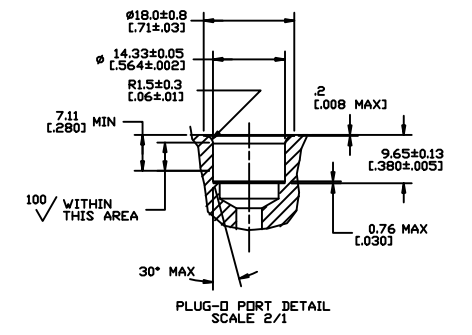
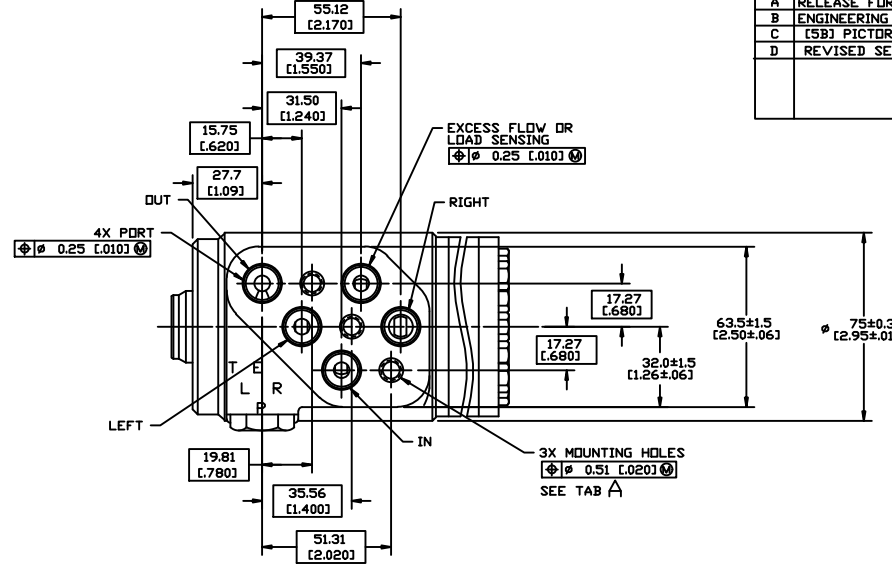


DISPLACEMENT		A MAX	
CODE	cm <sup>3</sup> /r [in <sup>3</sup> /r]		
35	31.5 [1.92]	123.4 [4.86]	
37	39.5 [2.41]	125.2 [4.93]	
39	50.8 [3.10]	124.2 [4.89]	
41	63.1 [3.85]	126.2 [4.97]	
43	73.8 [4.50]	128 [5.04]	
46	100 [6.10]	132.3 [5.21]	
48	120.0 [7.33]	135.4 [5.33]	

REV	DESCRIPTION	BY	CHK	DATE	ECN
A	RELEASE FOR SAMPLES AND ESTIMATE	LMD		2-1-99	M21107
B	ENGINEERING RELEASE	AH		2/9/01	M21107A
C	[58] PICTORIAL CHANGE TO SPOOL END	AH	AH	12/21/01	39440
D	REVISED SEE ECD	KRD	HS	07/22/01	M8877-1



MRSG

UNLESS OTHERWISE SPECIFIED, DIMENSIONS ARE IN INCHES MILLIMETERS CHECKED	DRAWING BASED ON ANSI Y14.5M-1982		
TOLERANCES XX ± ---- XX ± ---- XX ± ----	<input checked="" type="checkbox"/> HORIZONTAL/VERT <input type="checkbox"/> THIRD ANGLE PROJECTION	TITLE MINI SCU INSTALLATION	
UNSPECIFIED DIMS ARE METALURGY	<input type="checkbox"/> HORIZONTAL/VERT <input checked="" type="checkbox"/> THIRD ANGLE PROJECTION DO NOT SCALE	SCALE 1/1 SHEET 1 OF 1	