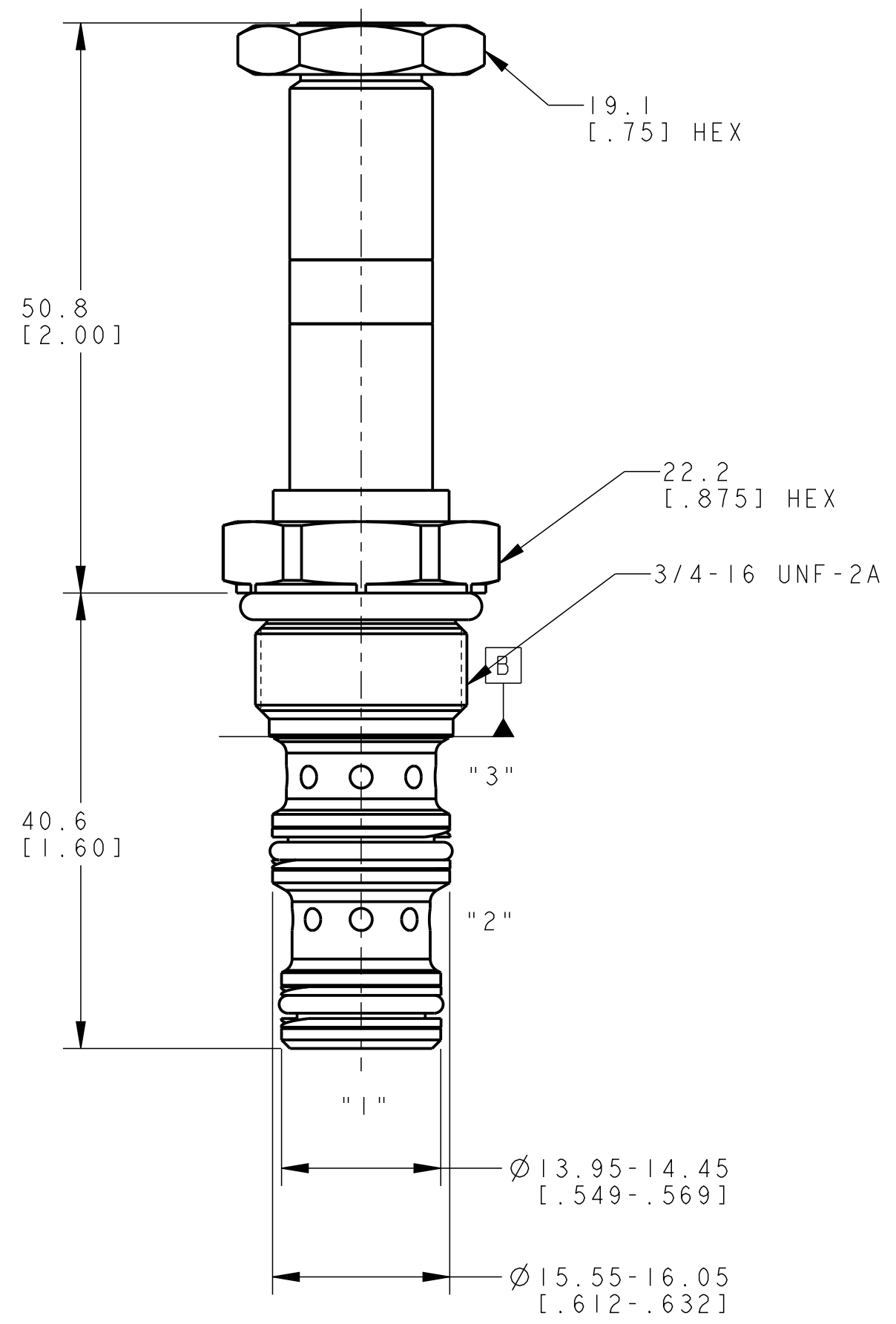
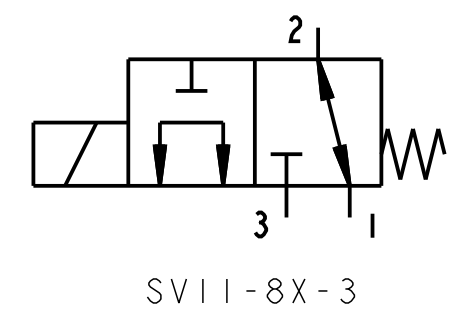


REV	DESCRIPTION	BY	CHK	DATE	ECN / MPS
A	ENGINEERING RELEASE	JGS	AH	2/12/05	M63978
B	REPLACED CORE TUBE ASSEMBLY	MBK	VKN	08/21/14	0101003



HYDRAULIC SYMBOL



NOTE:

- USE VALVE CAVITY C-8-3
- NET WEIGHT:
 CARTRIDGE ONLY: .11 kg [.24 lb]
 CARTRIDGE W/COIL: .29 kg [.64 lb]
 CARTRIDGE W/COIL AND ALUMINUM BODY: .67 kg [1.48 lb]
- TORQUE INTO CAVITY 34-41 N.m [25-30 lbf.ft]

UNLESS OTHERWISE SPECIFIED ALL DIMENSIONS ARE IN INCHES <input type="checkbox"/> MILLIMETERS (INCHES) <input checked="" type="checkbox"/>	DRAWING BASED ON ANSI Y14.5M-2009					
	EATON CORPORATION - CONFIDENTIAL AND PROPRIETARY NOTICE TO PERSONS RECEIVING THIS DRAWING AND / OR TECHNICAL INFORMATION					
TOLERANCES .X ± .XX ± .XXX ± ∠ ±	THIS DOCUMENT, INCLUDING THE DRAWING AND INFORMATION CONTAINED THEREON, IS CONFIDENTIAL AND IS THE EXCLUSIVE PROPERTY OF EATON CORPORATION, AND IS MERELY ON LOAN AND SUBJECT TO RECALL BY EATON AT ANY TIME. BY TAKING POSSESSION OF THIS DOCUMENT, THE RECIPIENT ACKNOWLEDGES AND AGREES THAT THIS DOCUMENT CANNOT BE USED IN ANY MANNER ADVERSE TO THE INTERESTS OF EATON, AND THAT NO PORTION OF THIS DOCUMENT MAY BE COPIED OR OTHERWISE REPRODUCED WITHOUT THE PRIOR WRITTEN CONSENT OF EATON. IN THE CASE OF CONFLICTING CONTRACTUAL PROVISIONS, THIS NOTICE SHALL GOVERN THE STATUS OF THIS DOCUMENT.					
	<table border="1"> <tr> <td> DRAWN JGS BY/DATE 6/9/03 CHECKED LMD BY/DATE 8/4/03 ENGRG BY/DATE METALLURGY BY/DATE </td> <td> MATERIAL/HEAT TREAT TITLE SV11-8X-3 VALVE INSTALLATION </td> </tr> </table>		DRAWN JGS BY/DATE 6/9/03 CHECKED LMD BY/DATE 8/4/03 ENGRG BY/DATE METALLURGY BY/DATE	MATERIAL/HEAT TREAT TITLE SV11-8X-3 VALVE INSTALLATION		
DRAWN JGS BY/DATE 6/9/03 CHECKED LMD BY/DATE 8/4/03 ENGRG BY/DATE METALLURGY BY/DATE	MATERIAL/HEAT TREAT TITLE SV11-8X-3 VALVE INSTALLATION					
UNSPECIFIED RADII ARE: ----	<table border="1"> <tr> <td> UNSPECIFIED DRAFT ANGLES ARE: ----° B SIZE </td> <td> THIRD ANGLE PROJECTION DO NOT SCALE </td> <td> MICROINCHES <input type="checkbox"/> MICROMETERS (MICROINCHES) <input checked="" type="checkbox"/> ARITHMETICAL AVERAGE <input checked="" type="checkbox"/> </td> <td> NUMBER A-2416-082 SCALE 2/1 SHEET 1 OF 1 </td> </tr> </table>		UNSPECIFIED DRAFT ANGLES ARE: ----° B SIZE	THIRD ANGLE PROJECTION DO NOT SCALE	MICROINCHES <input type="checkbox"/> MICROMETERS (MICROINCHES) <input checked="" type="checkbox"/> ARITHMETICAL AVERAGE <input checked="" type="checkbox"/>	NUMBER A-2416-082 SCALE 2/1 SHEET 1 OF 1
UNSPECIFIED DRAFT ANGLES ARE: ----° B SIZE	THIRD ANGLE PROJECTION DO NOT SCALE	MICROINCHES <input type="checkbox"/> MICROMETERS (MICROINCHES) <input checked="" type="checkbox"/> ARITHMETICAL AVERAGE <input checked="" type="checkbox"/>	NUMBER A-2416-082 SCALE 2/1 SHEET 1 OF 1			

