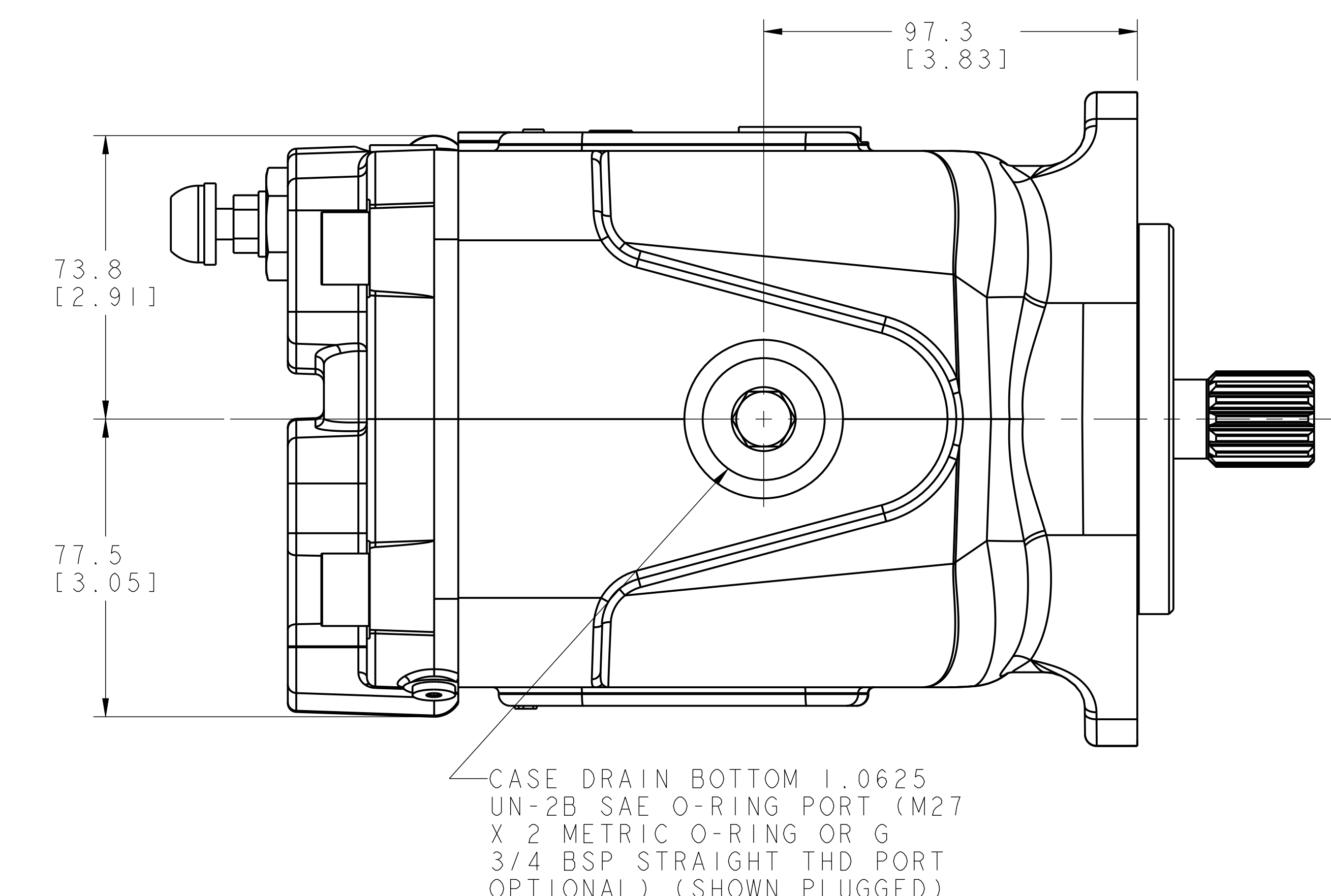
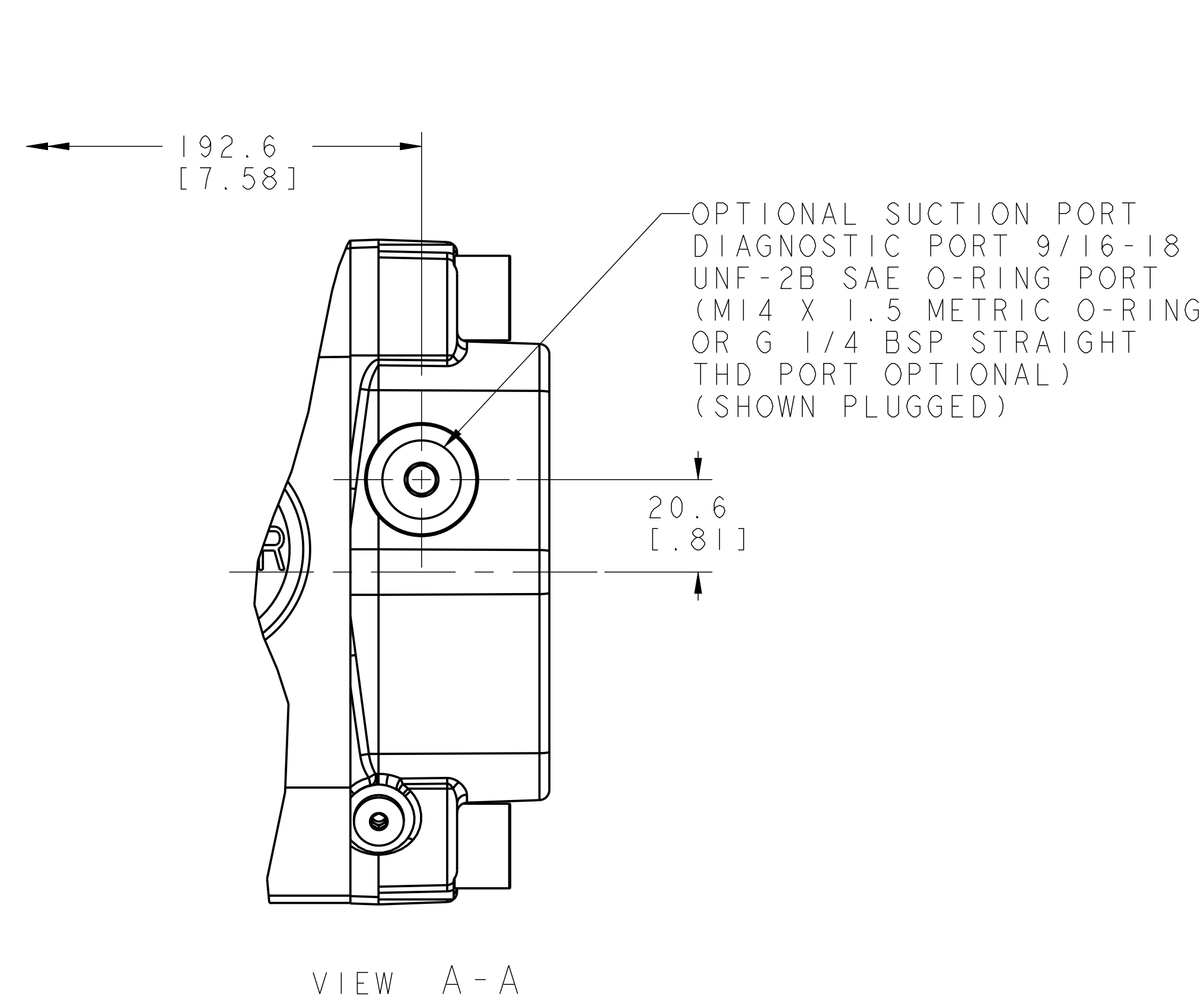
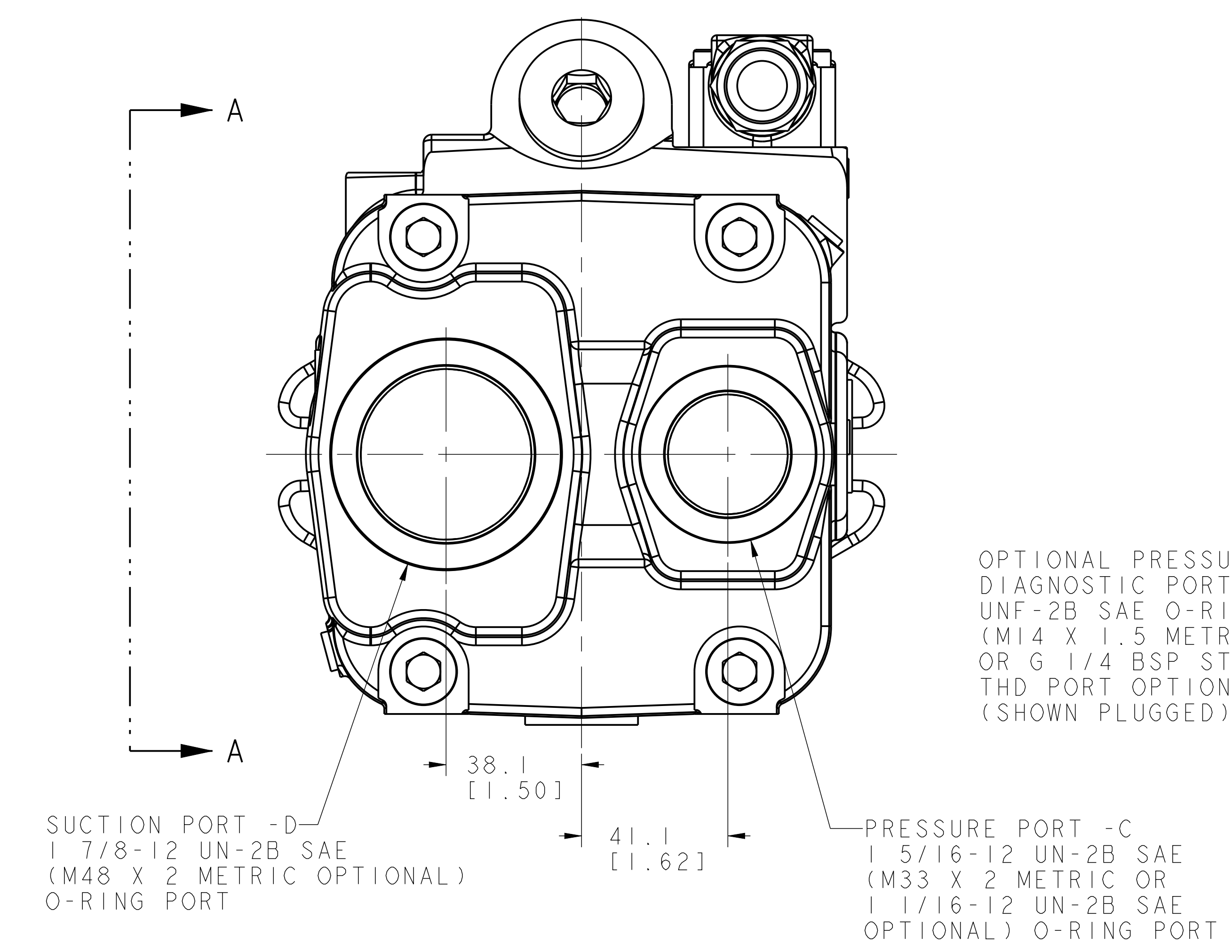
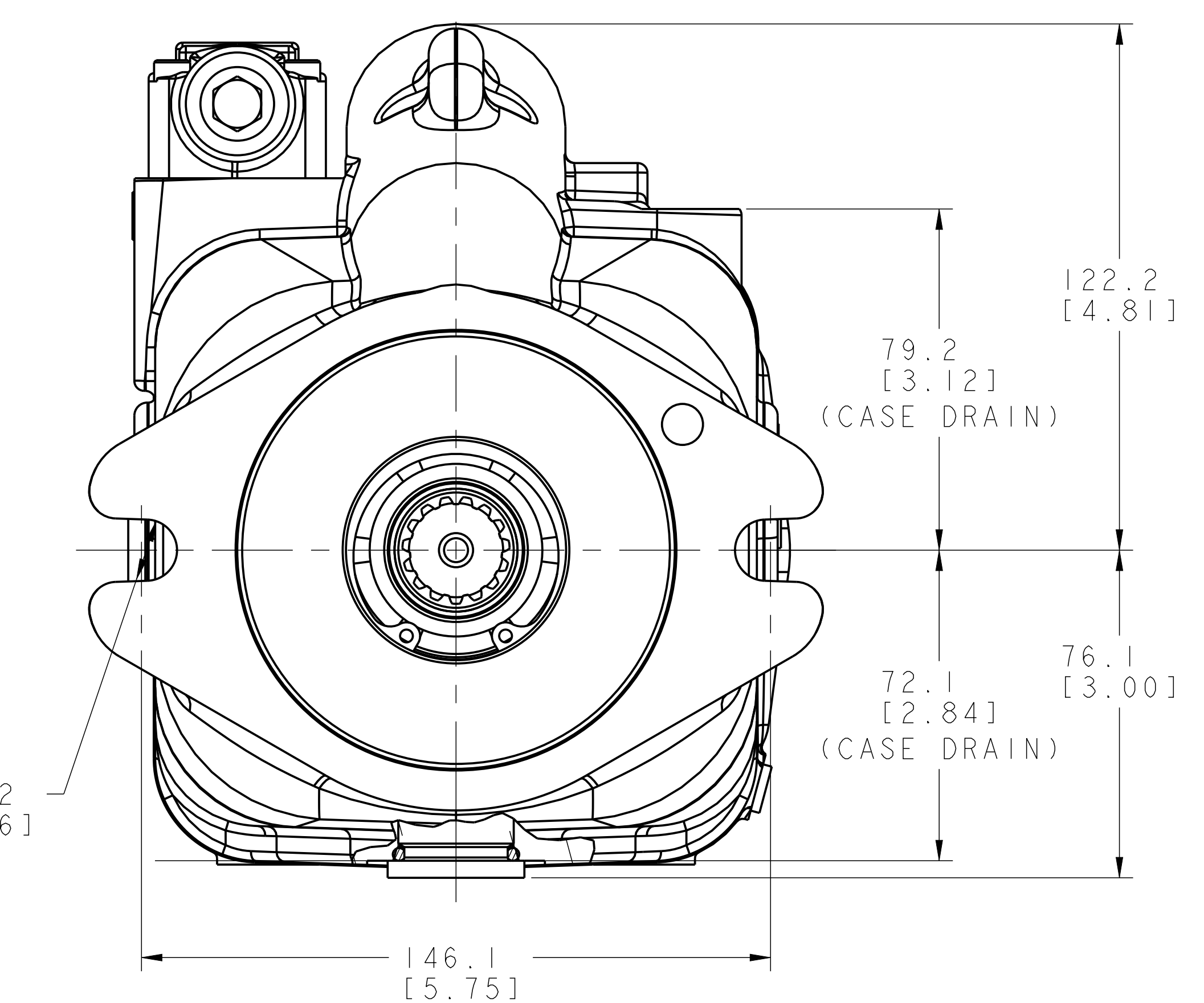
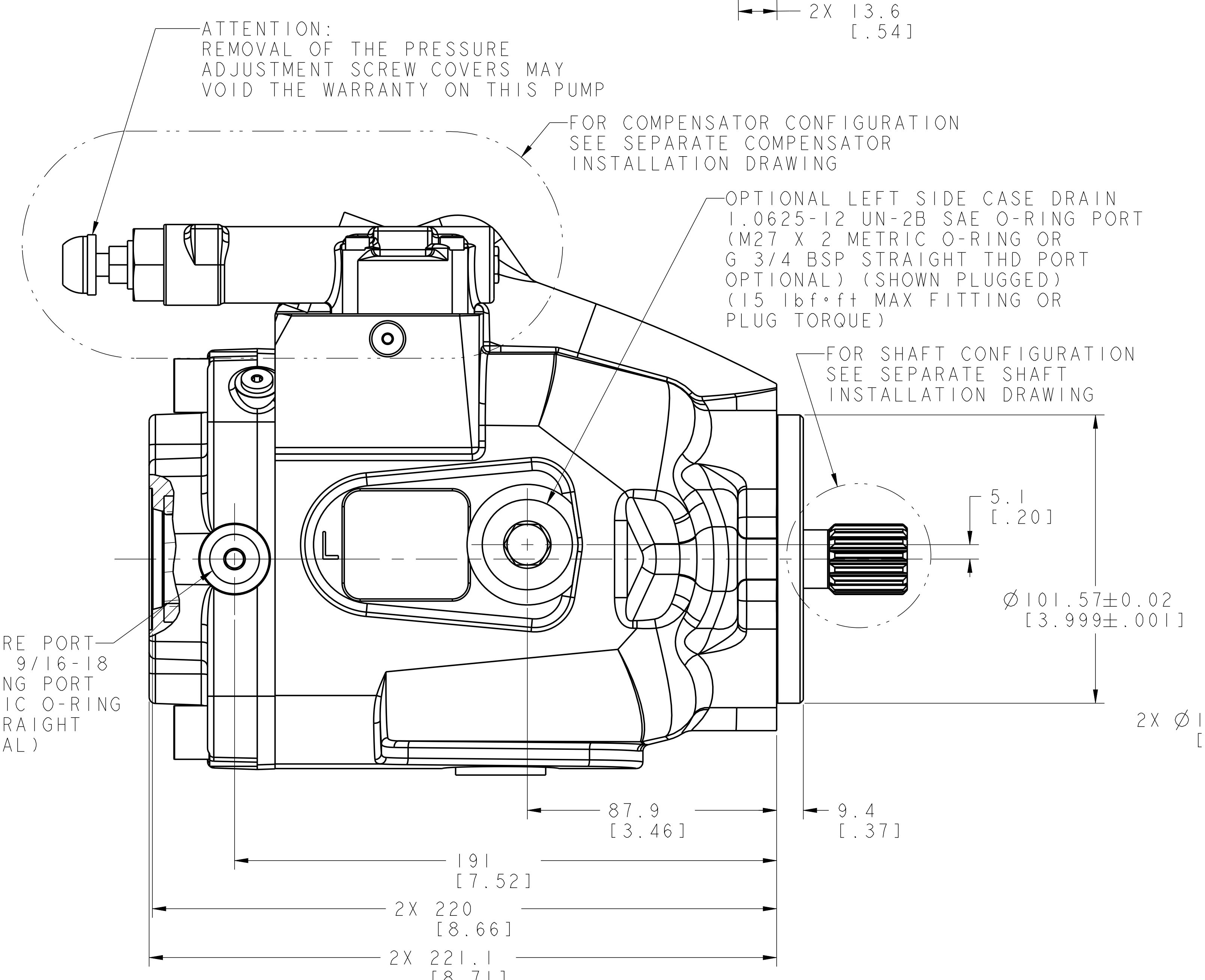
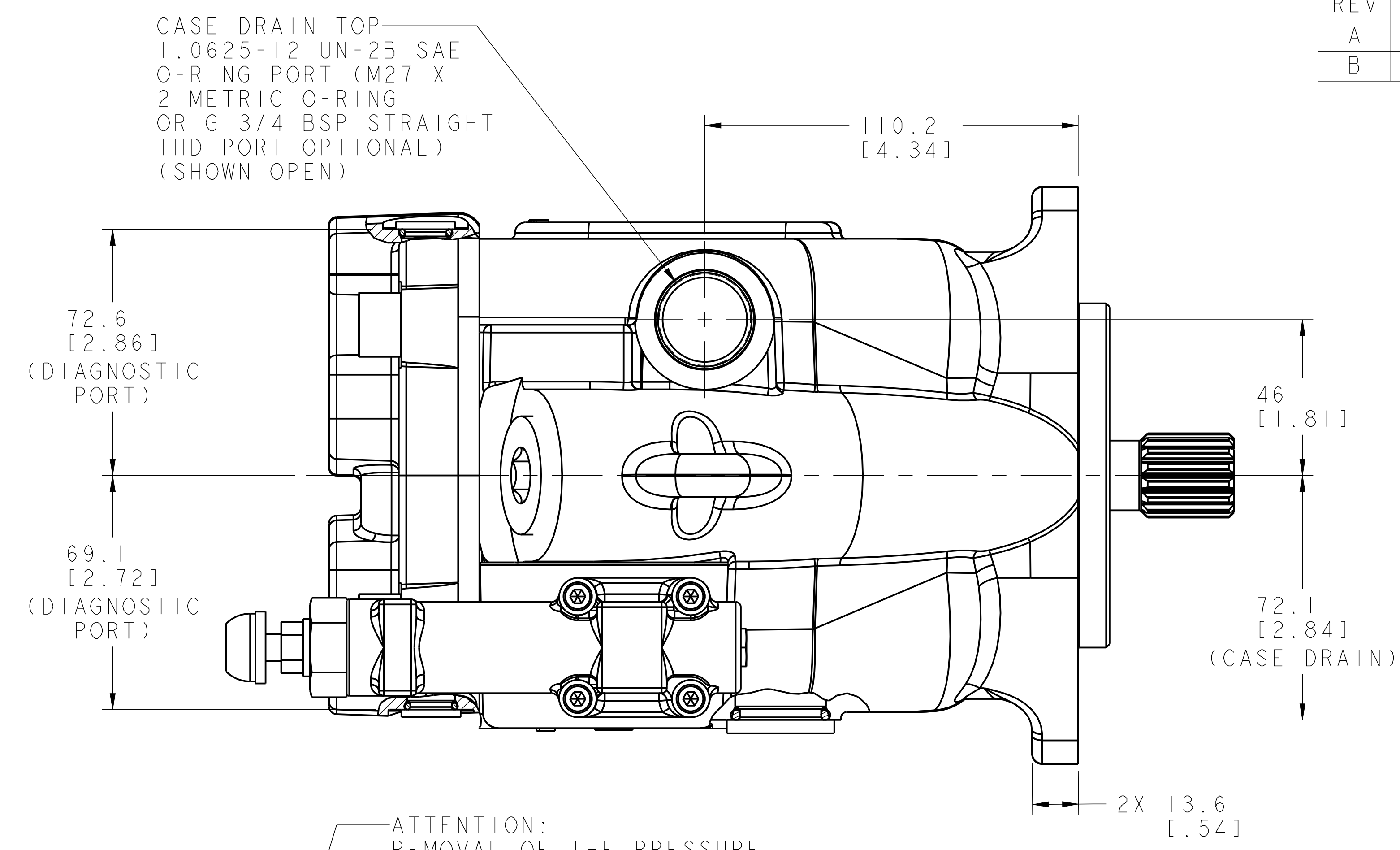


REV	DESCRIPTION	BY	CHK	DATE	ECN / MPS
A	ENGINEERING RELEASE	NWS	BMS	05-28-08	0018094
B	DRAWING NUMBER WAS A-3215-006	RRM	ANN	03-05-19	0107105



NOTE
1 PUMP MUST BE INSTALLED IN SUCH A POSITION THAT
THE CASE DRAIN ASSURES AN OIL LEVEL AT OR ABOVE
PUMP CENTER LINE BEFORE STARTING

REVIEWED FOR CLASSIFICATION PER ESP-042

DRAWING BASED ON ANSI Y14.5M-1982

UNLESS OTHERWISE SPECIFIED ALL DIMENSIONS ARE IN:
INCHES
MILLIMETERS (INCHES)

TOLERANCES
.X ± .005
.XX ± REF
.XXX ± ONLY
< ± .001

UNSPECIFIED RADIi ARE:

UNSPECIFIED DRAFT ANGLES ARE:

THE REPRODUCTION, DISTRIBUTION, AND UTILIZATION OF THIS DOCUMENT, AS WELL AS THE COMMUNICATION OF ITS CONTENTS TO OTHERS WITHOUT EXPLICIT AUTHORIZATION IS PROHIBITED. OFFENDERS WILL BE HELD LIABLE FOR THE PAYMENT OF DAMAGES. ALL RIGHTS RESERVED IN THE EVENT OF THE GRANT OF A PATENT, UTILITY MODEL, OR DESIGN. (PER ISO 16016)

DRAWN NWS
BY/DATE 12-27-07

CHECKED BMS
BY/DATE 12-27-07

ENGRG DJZ
BY/DATE 12-27-07

METALLURGY
BY/DATE ----

MATERIAL/HEAT TREAT

TITLE
SERIES 420 PUMP INSTALLATION

NUMBER
A-3216-006

SCALE 1/1

SHEET 1 OF 1

Danfoss